

SELF-ADHERED  
MEMBRANE.

#10x1 1/2" SS SELF  
DRILLING SCREW OR  
DT2000. @ 8" O.C.

1/2"

R.O.

FRAME SIZE

EXTERIOR GLAZED WINDOW EXT

INT

PATENTED

EXT

INT

R.O.

FRAME SIZE

1/2"

1 5/16"

3 3/16"

SHIMS 6" O/C SPACING

SILL MUST BE SUPPORTED  
UP TO THIS POINT, MINIMUM

NOTE: NAIL FLANGE IS CONTINUOUS

NOTE: THIS DRAFT DETAIL IS FOR GENERAL ARRANGEMENT PURPOSES ONLY, AND DOES NOT NECESSARILY REPRESENT A DETAIL THAT IS APPROPRIATE FOR A SPECIFIC PROJECT. PRODUCTS AND ACCESSORIES PROVIDED BY CASCADIA MUST BE CONFIRMED FOR SPECIFIC PROJECTS.

CASCADIA WINDOWS LTD.

#101-5350 275TH STREET  
LANGLEY, BC, CANADA V4W 0C1

DRAWING  
TITLE:

UNIVERSAL SERIES <sup>®</sup> - WINDOW HEAD+SILL  
STANDARD NAIL FLANGE INSTALLATION (CW-NF2)

DRAWING NO.:

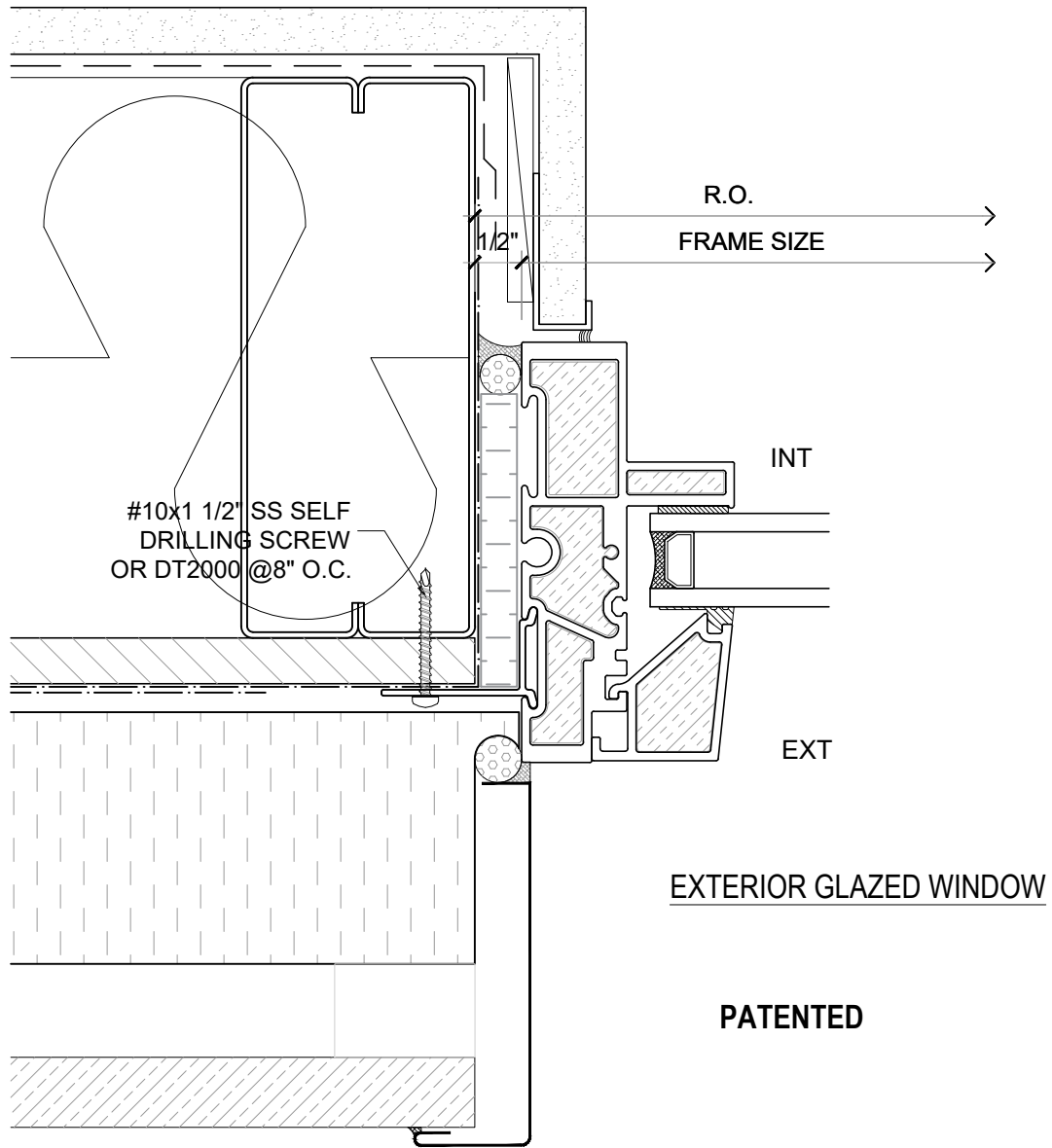
NF-1.01

SCALE: 6" = 1'-0"

PATENTED

DATE: JUNE 24, 2021

DRAWN BY: AP



**NOTE:** THIS DRAFT DETAIL IS FOR GENERAL ARRANGEMENT PURPOSES ONLY, AND DOES NOT NECESSARILY REPRESENT A DETAIL THAT IS APPROPRIATE FOR A SPECIFIC PROJECT. PRODUCTS AND ACCESSORIES PROVIDED BY CASCADIA MUST BE CONFIRMED FOR SPECIFIC PROJECTS.

**NOTE:** NAIL FLANGE IS CONTINUOUS

**CASCADIA WINDOWS LTD.**  
#101-5350 275TH STREET  
LANGLEY, BC, CANADA V4W 0C1

DRAWING  
TITLE:

**UNIVERSAL SERIES <sup>®</sup> - WINDOW JAMB**  
STANDARD NAIL FLANGE INSTALLATION (CW-NF1)

DRAWING NO.:

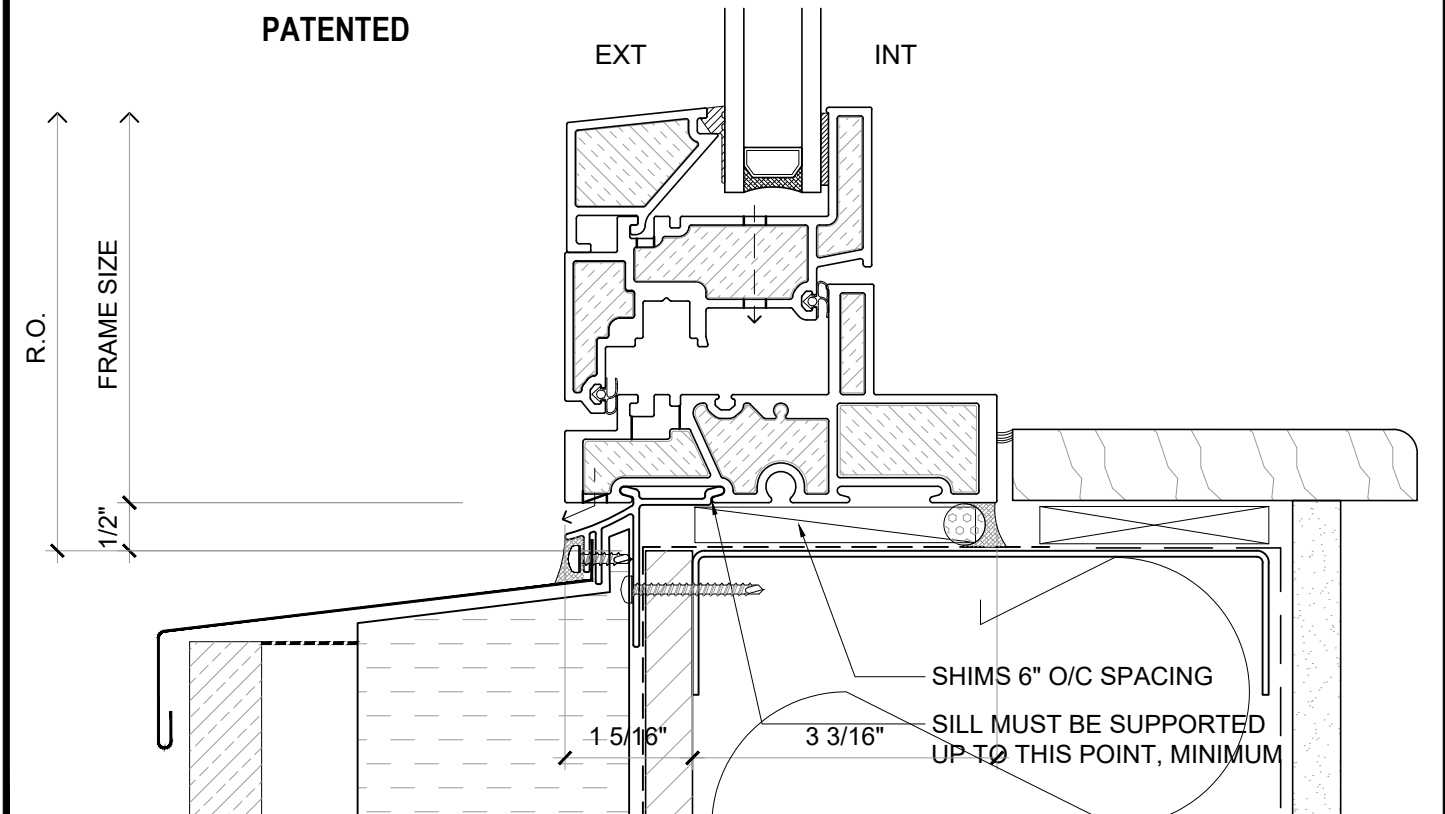
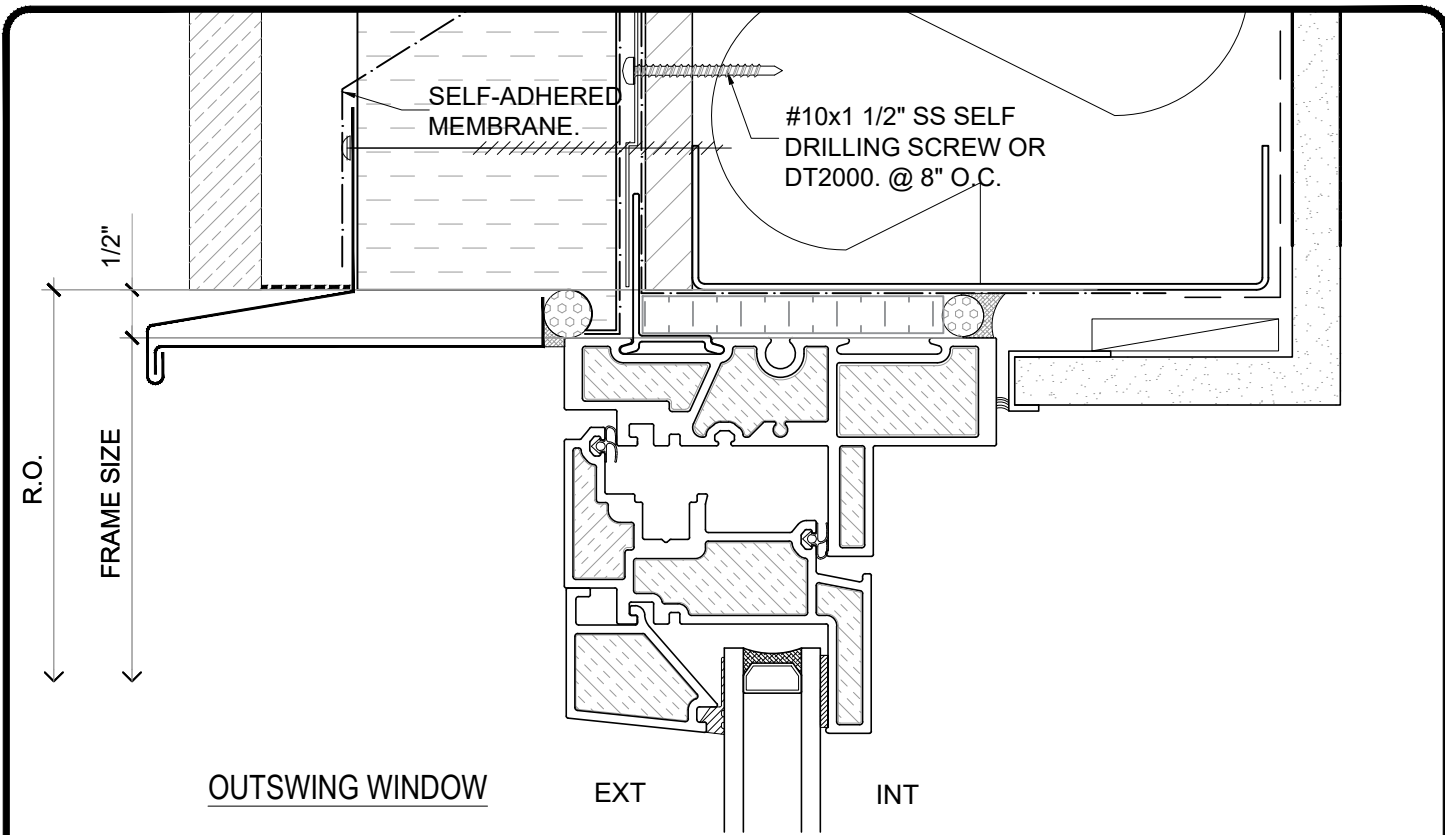
**NF-1.02**

SCALE: 6" = 1'-0"

PATENTED

DATE: JUNE 24, 2021

DRAWN BY: AP



NOTE: THIS DRAFT DETAIL IS FOR GENERAL ARRANGEMENT PURPOSES ONLY, AND DOES NOT NECESSARILY REPRESENT A DETAIL THAT IS APPROPRIATE FOR A SPECIFIC PROJECT. PRODUCTS AND ACCESSORIES PROVIDED BY CASCADIA MUST BE CONFIRMED FOR SPECIFIC PROJECTS.

NOTE: NAIL FLANGE IS CONTINUOUS

CASCADIA WINDOWS LTD.  
 #101-5350 275TH STREET  
 LANGLEY, BC, CANADA V4W 0C1

DRAWING TITLE: UNIVERSAL SERIES <sup>®</sup> - WINDOW HEAD+SILL  
 STANDARD NAIL FLANGE INSTALLATION (CW-NF2)

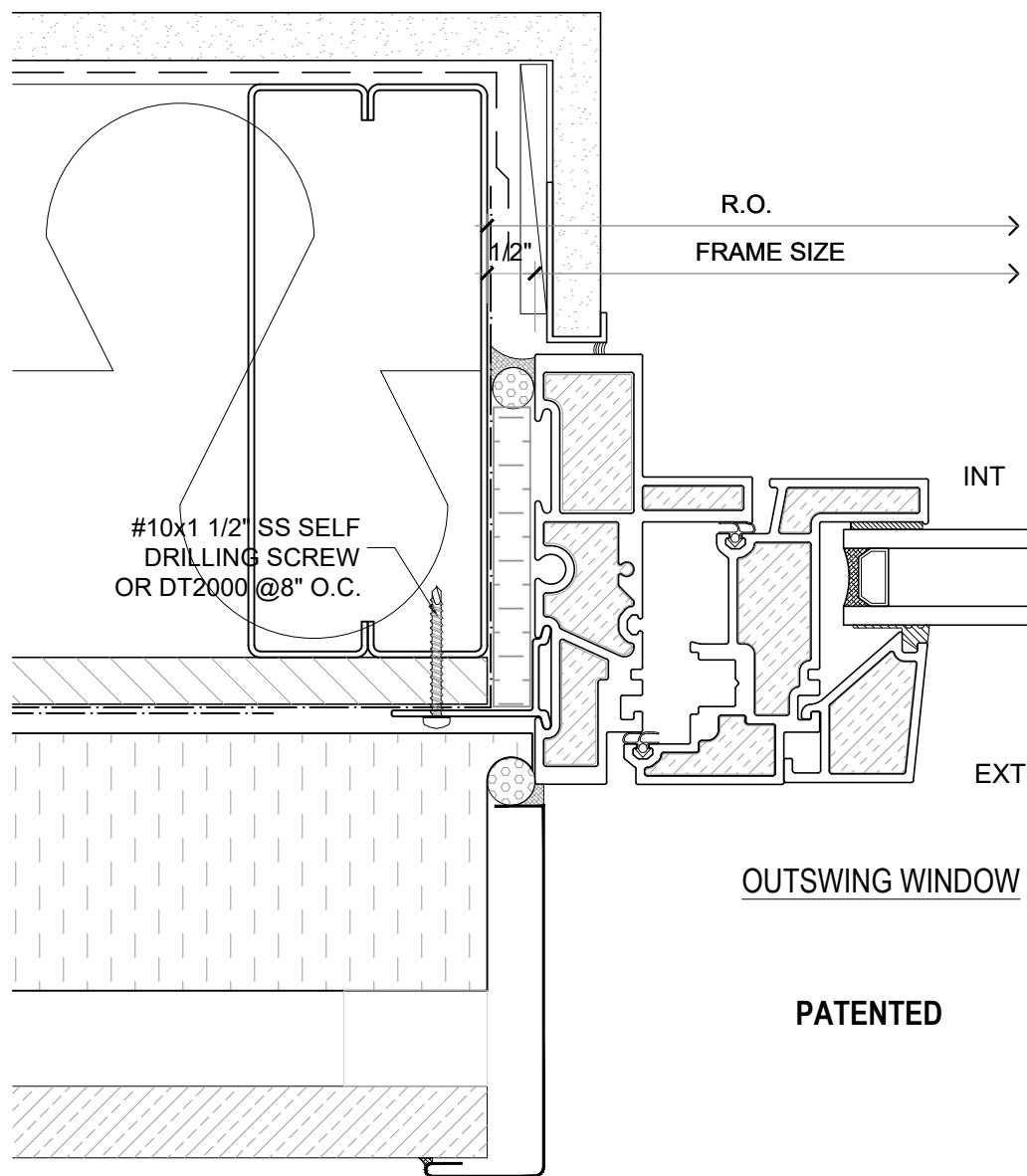
DRAWING NO.: NF-1.03

SCALE: 6" = 1'-0"

PATENTED

DATE: JUNE 24, 2021

DRAWN BY: AP



**NOTE:** THIS DRAFT DETAIL IS FOR GENERAL ARRANGEMENT PURPOSES ONLY, AND DOES NOT NECESSARILY REPRESENT A DETAIL THAT IS APPROPRIATE FOR A SPECIFIC PROJECT. PRODUCTS AND ACCESSORIES PROVIDED BY CASCADIA MUST BE CONFIRMED FOR SPECIFIC PROJECTS.

**NOTE:** NAIL FLANGE IS CONTINUOUS

**CASCADIA WINDOWS LTD.**  
 #101-5350 275TH STREET  
 LANGLEY, BC, CANADA V4W 0C1

DRAWING  
 TITLE:

**UNIVERSAL SERIES © - WINDOW JAMB**  
**STANDARD NAIL FLANGE INSTALLATION (CW-NF1)**

DRAWING NO.:

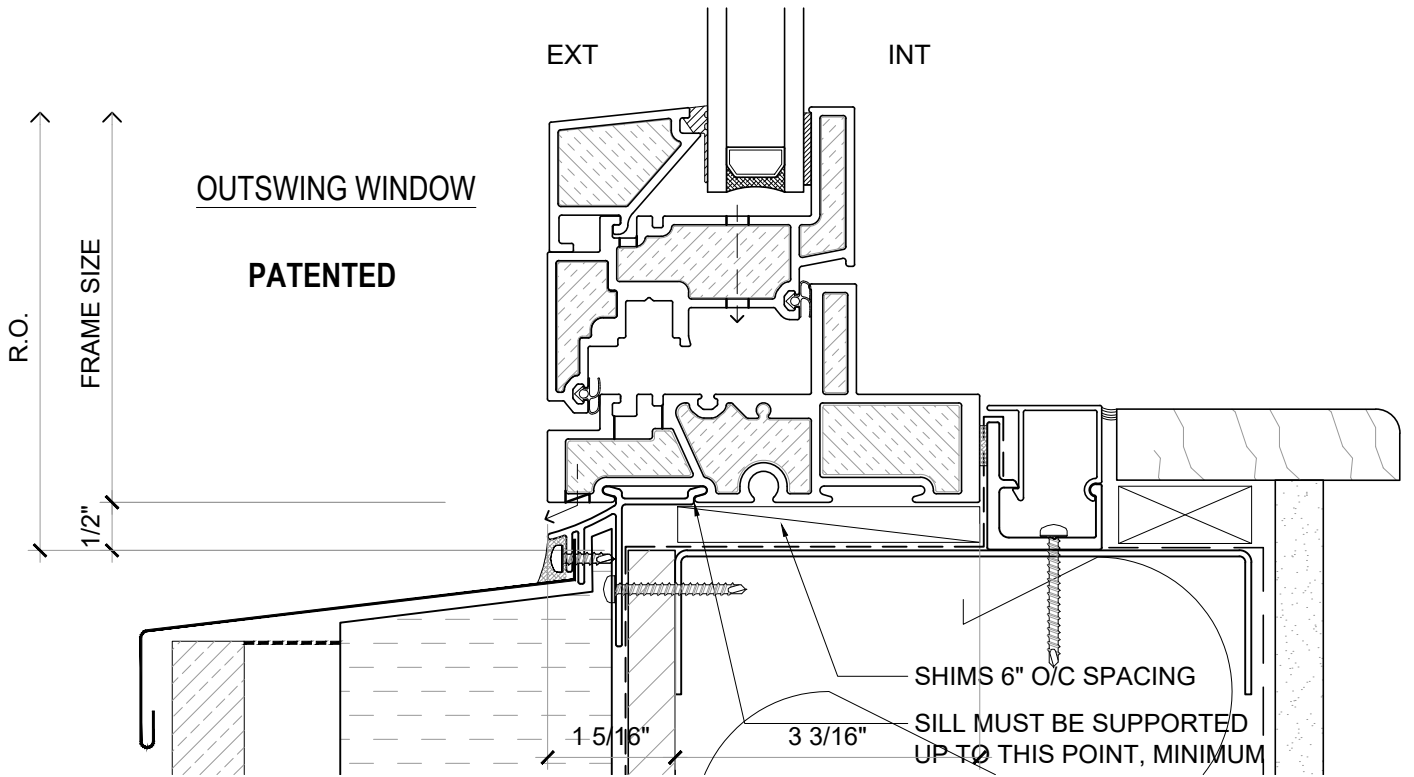
**NF-1.04**

SCALE: 6" = 1'-0"

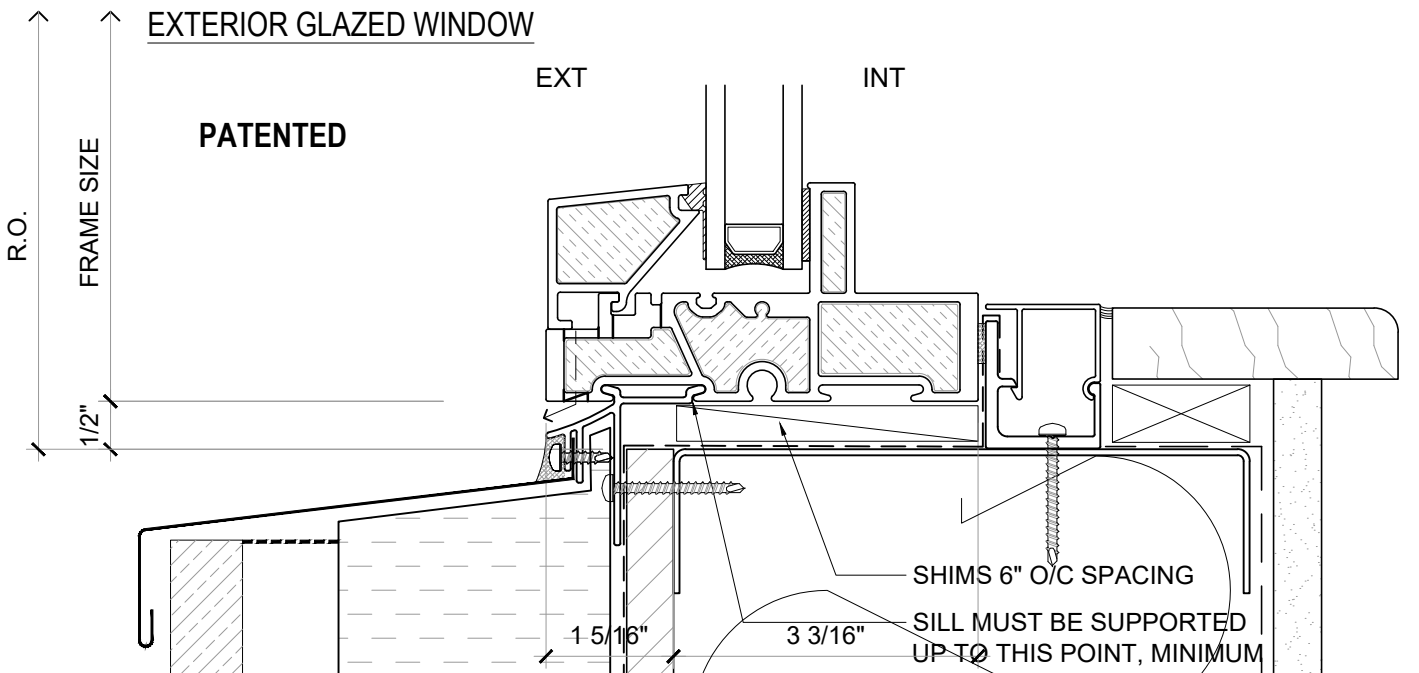
PATENTED

DATE: JUNE 24, 2021

DRAWN BY: AP



## ALTERNATE SILL DETAILS



**NOTE:** THIS DRAFT DETAIL IS FOR GENERAL ARRANGEMENT PURPOSES ONLY, AND DOES NOT NECESSARILY REPRESENT A DETAIL THAT IS APPROPRIATE FOR A SPECIFIC PROJECT. PRODUCTS AND ACCESSORIES PROVIDED BY CASCADIA MUST BE CONFIRMED FOR SPECIFIC PROJECTS.

**NOTE:** NAIL FLANGE IS CONTINUOUS

CASCADIA WINDOWS LTD.  
#101-5350 275TH STREET  
LANGLEY, BC, CANADA V4W 0C1

DRAWING TITLE: **UNIVERSAL SERIES © - ALTERNATE WINDOW SILLS**  
STANDARD NAIL FLANGE INSTALLATION (CW-NF2) & SILL ANGLE

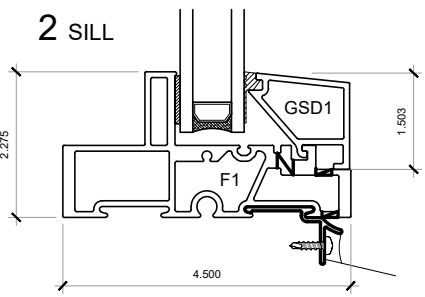
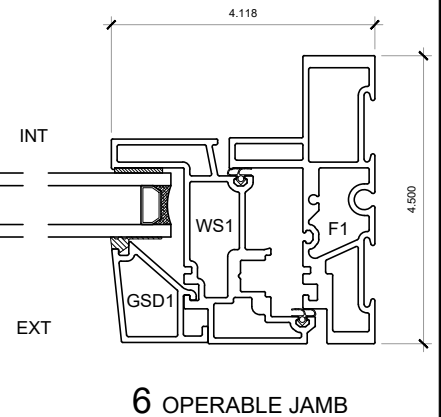
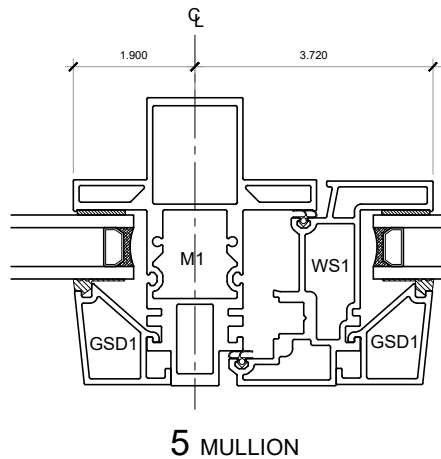
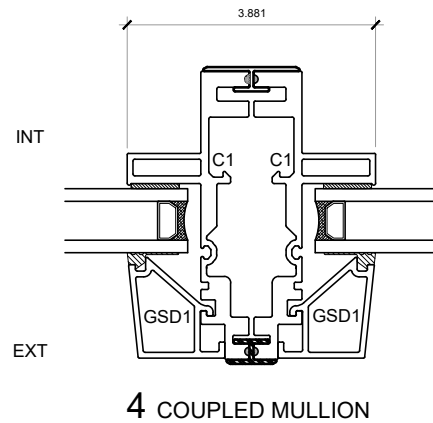
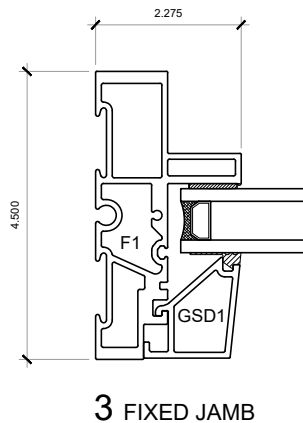
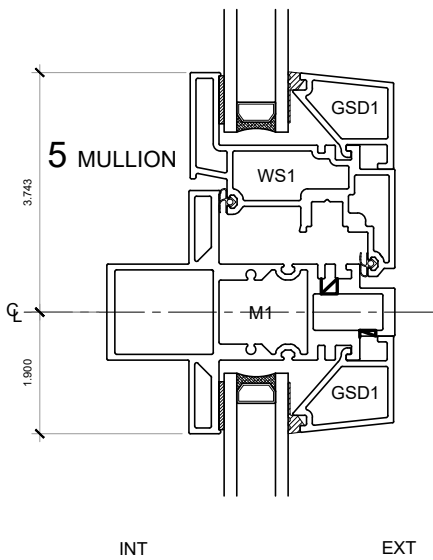
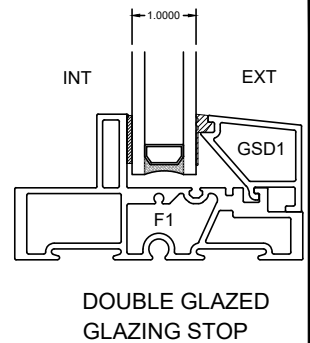
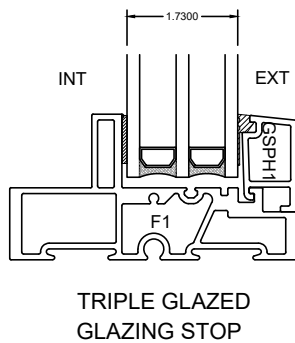
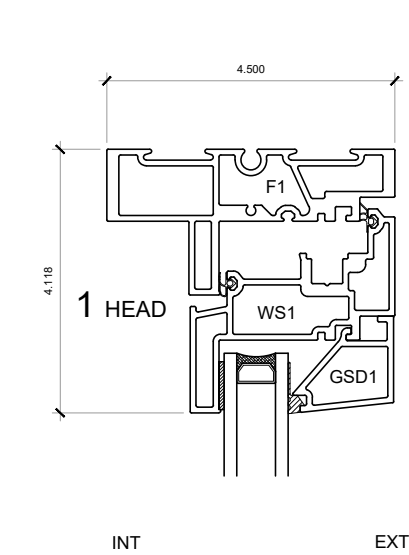
DRAWING NO.: **NF-1.05**

SCALE: 6" = 1'-0"

PATENTED

DATE: JUNE 24, 2021

DRAWN BY: AP



**NOTE:** THIS DRAFT DETAIL IS FOR GENERAL ARRANGEMENT PURPOSES ONLY, AND DOES NOT NECESSARILY REPRESENT A DETAIL THAT IS APPROPRIATE FOR A SPECIFIC PROJECT. PRODUCTS AND ACCESSORIES PROVIDED BY CASCADIA MUST BE CONFIRMED FOR SPECIFIC PROJECTS.

**NOTE:** NAIL FLANGE IS CONTINUOUS

<b>CASCADIA WINDOWS LTD.</b> #101-5350 275TH STREET LANGLEY, BC, CANADA V4W 0C1	DRAWING TITLE: <b>UNIVERSAL SERIES ® - OUTSWING WINDOW</b> PRODUCT DRAWINGS		DRAWING NO.: <b>NF-2.01</b>
	SCALE: 4" = 1'-0"	PATENTED	DATE: JUNE 24, 2021