

CASCADIA CLIP®

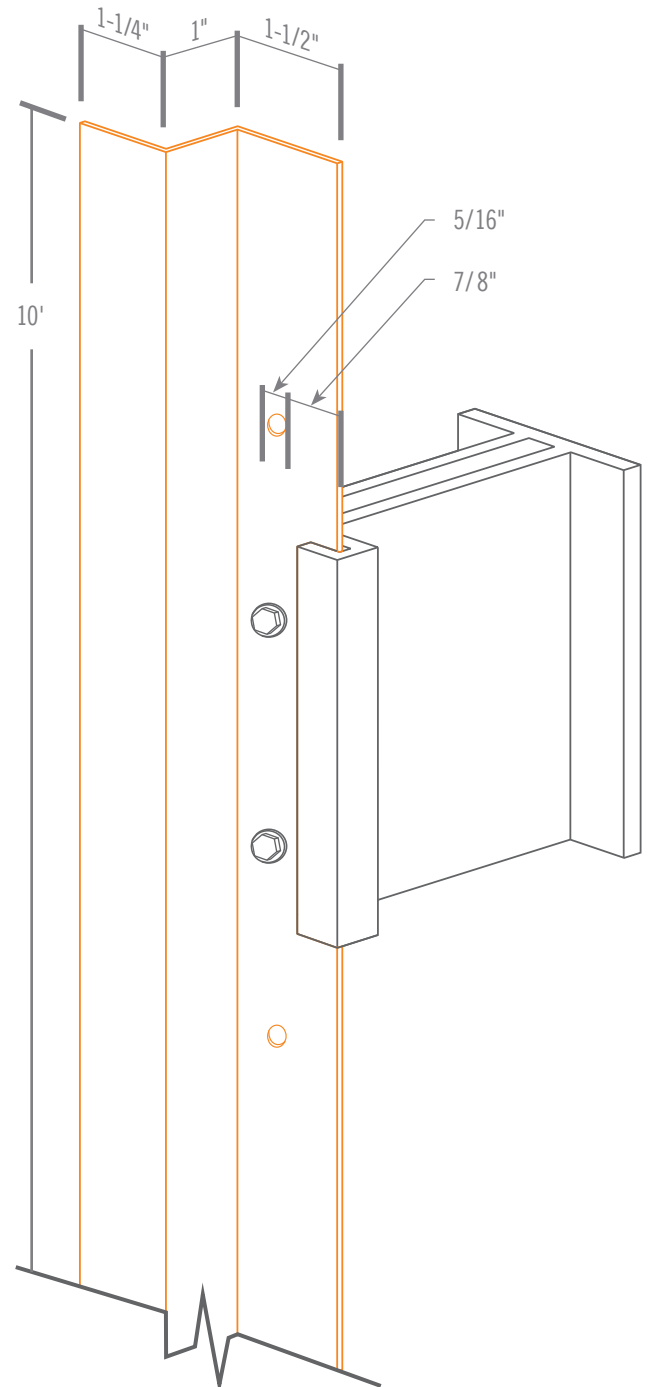
VERTICAL APPLICATIONS WITH PRE-PUNCHED Z-GIRT

CASCADIA CLIP®

- Available in 8 different sizes for vertical z-girt applications
- Made from high resin-to-glass, thermoset fiberglass, the clips will not sag, weaken or creep over time
- Comprehensive IAPMO-UES (ICC-ES equivalent) code evaluation and Intertek Report (NFPA 285) available
- Can withstand extreme temperatures (-40°F through 350°F, and higher) without becoming brittle or soft
- Environmental Product Declaration (EPD) available, compliant with ISO 14044, ISO 21930:2017 and ISO 14025:2006 rules
- Living Building Challenge Declare Red List Approved
- Modelled service life of 200 years

CASCADIA Z-GIRTS (CCZGIRT-STD)

- Manufactured from 18 gauge with Galvalume™ AZM 150 (AZ-50) coating
- 33 Ksi Steel, $I_{xx} = 0.0332 \text{ in}^4$
- More than 2x the corrosion resistance of galvanized steel—perfect for marine environments
- Galvalume™ steel coating has been used for more than 50 years in commercial, industrial, agricultural and residential applications
- Pre-punched pattern helps reduce installation time and is compatible with 24", 36" and 48" stud spacing
- Custom fabrication available to meet project requirements
- Dual-layer coated (NZF 3000) and stainless steel fasteners available



CASCADIA CLIP®

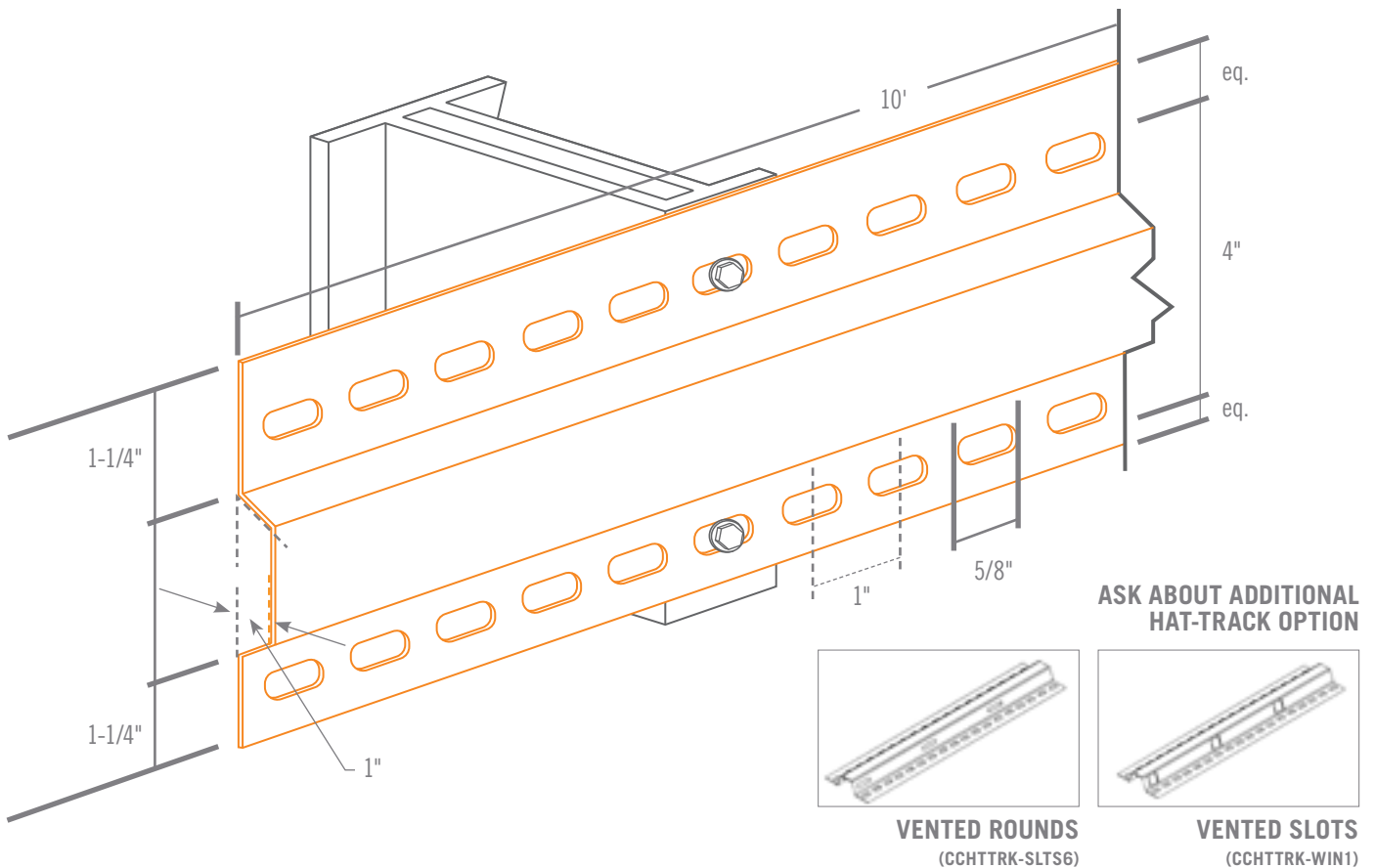
HORIZONTAL APPLICATIONS WITH PRE-PUNCHED HAT CHANNEL

CASCADIA CLIP®

- Available in 8 different sizes for horizontal hat channel applications
- Made from high resin-to-glass, thermoset fiberglass, the clips will not sag, weaken or creep over time
- Comprehensive IAPMO-UES (ICC-ES equivalent) code evaluation and Intertek Report (NFPA 285) available
- Can withstand extreme temperatures (-40°F through 350°F, and higher) without becoming brittle or soft
- Environmental Product Declaration (EPD) available, compliant with ISO 14044, ISO 21930:2017 and ISO 14025:2006 rules
- Living Building Challenge Declare Red List Approved
- Modelled service life of 200 years

CASCADIA HAT-TRACK (CCHTRK-STD)

- Manufactured from 18 gauge with Galvalume™ AZM 150 (AZ-50) coating
- 33 Ksi Steel, $I_{XX} = 0.0332 \text{ in}^4$
- More than 2x the corrosion resistance of galvanized steel—perfect for marine environments
- Galvalume™ steel coating has been used for more than 50 years in commercial, industrial, agricultural and residential applications
- Pre-punched pattern helps reduce installation time and is compatible with 24", 36" and 48" stud spacing
- Custom fabrication available to meet project requirements
- Dual-layer coated (NZF 3000) and stainless steel fasteners available



CASCADIA CLIP®

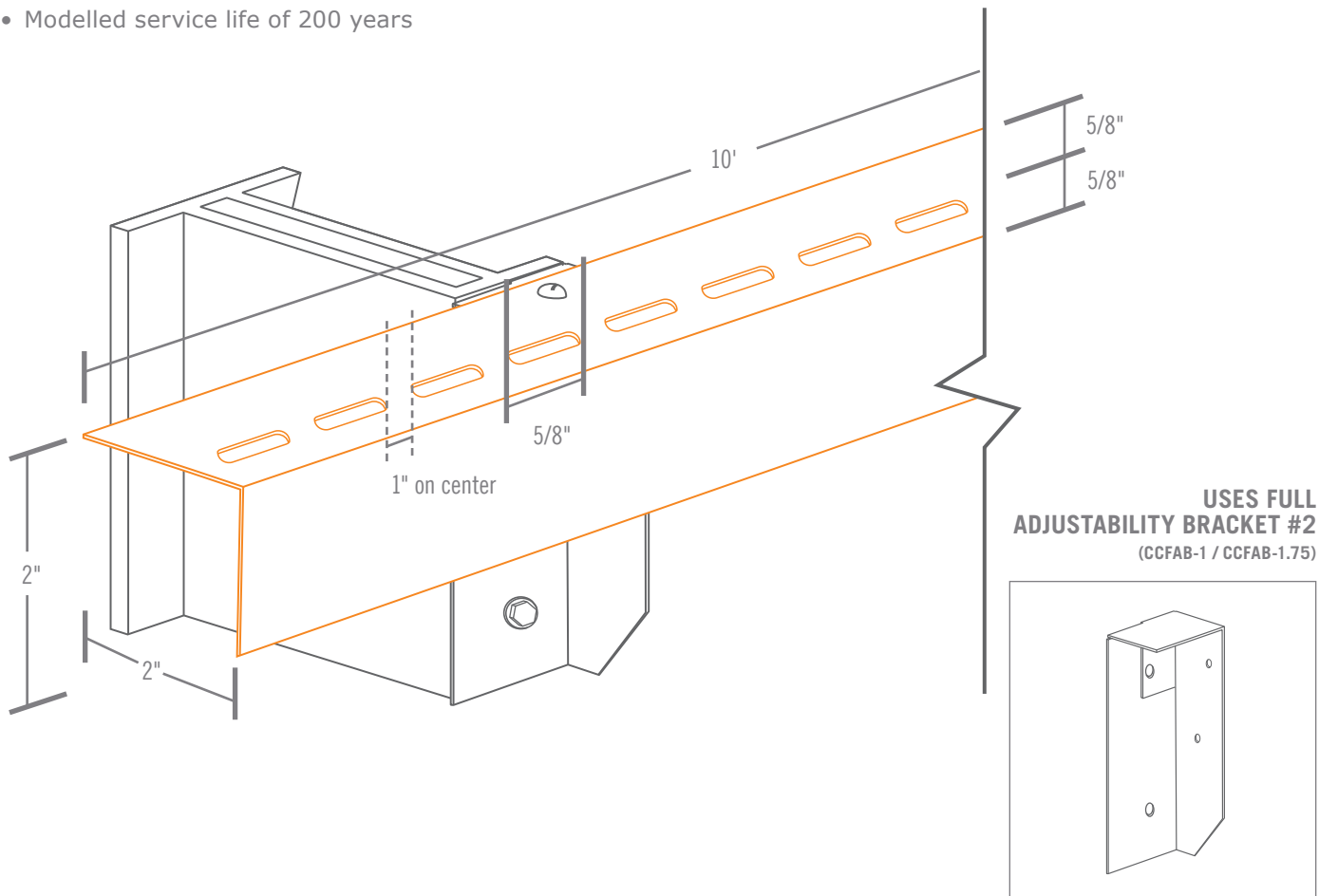
HORIZONTAL APPLICATIONS WITH PRE-PUNCHED L-CANNEL

CASCADIA CLIP®

- Available in 8 different sizes for horizontal hat channel applications
- Made from high resin-to-glass, thermoset fiberglass, the clips will not sag, weaken or creep over time
- Comprehensive IAPMO-UES (ICC-ES equivalent) code evaluation and Intertek Report (NFPA 285) available
- Can withstand extreme temperatures (-40°F through 350°F, and higher) without becoming brittle or soft
- Environmental Product Declaration (EPD) available, compliant with ISO 14044, ISO 21930:2017 and ISO 14025:2006 rules
- Living Building Challenge Declare Red List Approved
- Modelled service life of 200 years

CASCADIA L-CANNEL (CCANGLE-2X2)

- Manufactured from 18 gauge with Galvalume™ AZM 150 (AZ-50) coating
- 33 Ksi Steel, $I_{XX} = 0.0332 \text{ in}^4$
- More than 2x the corrosion resistance of galvanized steel—perfect for marine environments
- Galvalume™ steel coating has been used for more than 50 years in commercial, industrial, agricultural and residential applications
- Custom fabrication available to meet project requirements
- Dual-layer coated (NZF 3000) and stainless steel fasteners available



CASCADIA CLIP®

HORIZONTAL APPLICATIONS WITH PRE-PUNCHED C-CHANNEL

CASCADIA CLIP®

- Available in 8 different sizes for horizontal hat channel applications
- Made from high resin-to-glass, thermoset fiberglass, the clips will not sag, weaken or creep over time
- Comprehensive IAPMO-UES (ICC-ES equivalent) code evaluation and Intertek Report (NFPA 285) available
- Can withstand extreme temperatures (-40°F through 350°F, and higher) without becoming brittle or soft
- Environmental Product Declaration (EPD) available, compliant with ISO 14044, ISO 21930:2017 and ISO 14025:2006 rules
- Living Building Challenge Declare Red List Approved
- Modelled service life of 200 years

CASCADIA C-CHANNEL (CCMETAL - CUSTOM)

- Manufactured from 18 gauge with Galvalume™ AZM 150 (AZ-50) coating
- 33 Ksi Steel, $I_{XX} = 0.0332 \text{ in}^4$
- More than 2x the corrosion resistance of galvanized steel—perfect for marine environments
- Galvalume™ steel coating has been used for more than 50 years in commercial, industrial, agricultural and residential applications
- Custom fabrication available to meet project requirements
- Dual-layer coated (NZF 3000) and stainless steel fasteners available

