

UNIVERSAL SERIES WINDOW WALL

TYPICAL DETAILS

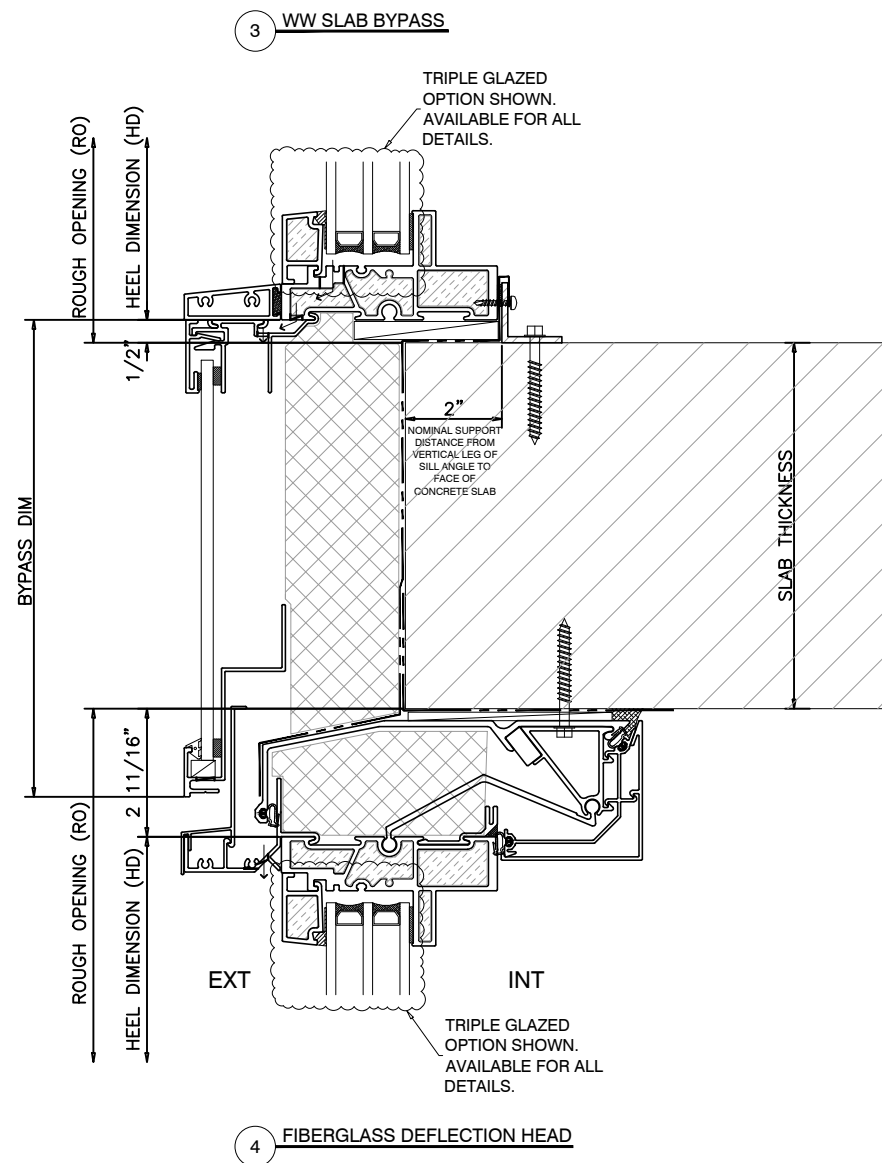
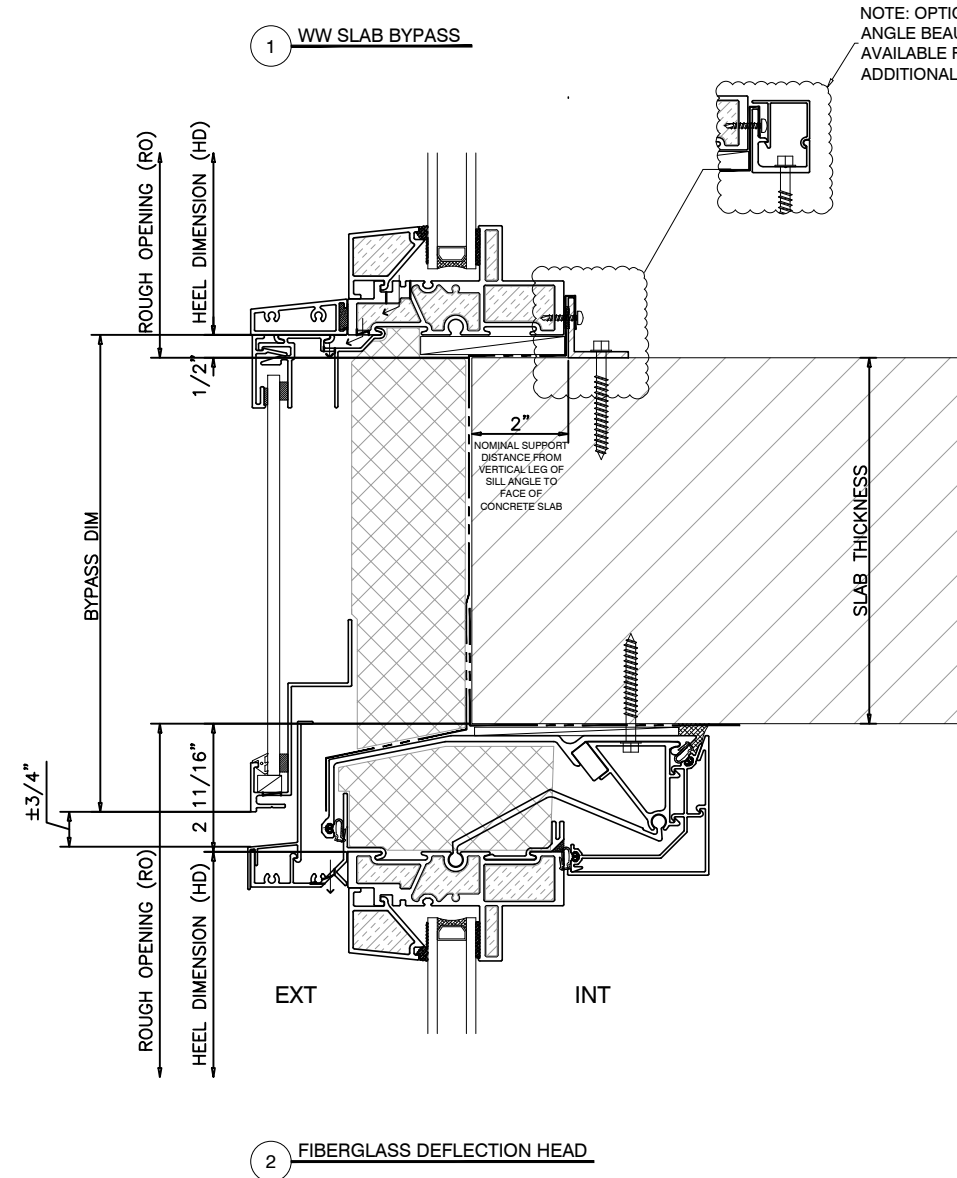
PROJECT TITLE:
UNIVERSAL
WINDOW
WALL

ISSUE	DESCRIPTION	DATE
1	DRAFT DRAWINGS	FEB.1/19
2	VERSION 2	APR.28/20
3	VERSION 3	AUG.06/23
4	VERSION 4	FEB.13/25

DRAWING
TITLE:
WINDOW WALL
DETAILS

SCALE: N.T.S. DRAWING NO.:
DATE: FEB. 13, 2025
DRAWN BY: AP
PROJECT #:

WWO



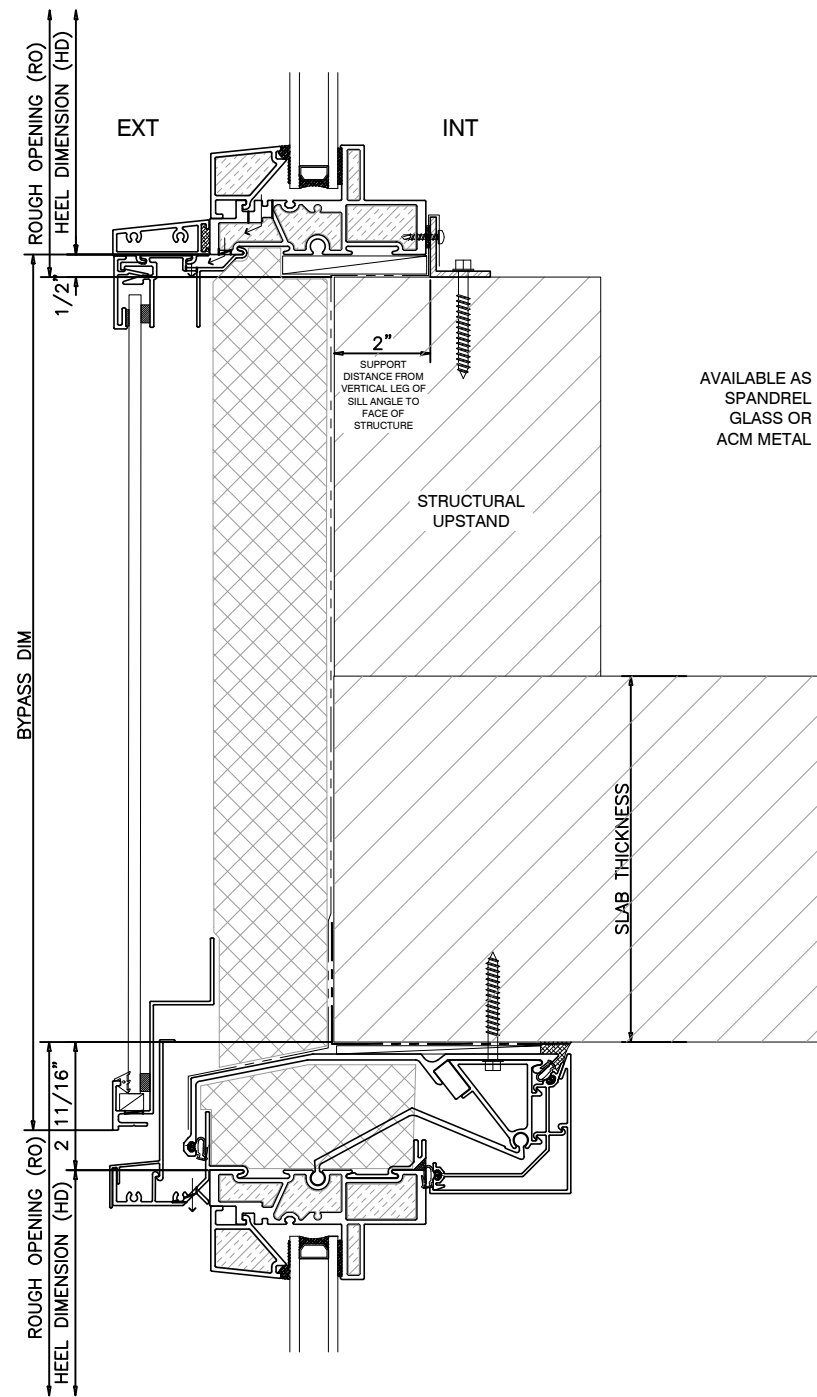
PROJECT TITLE:
UNIVERSAL WINDOW WALL

ISSUE	DESCRIPTION	DATE
1	DRAFT DRAWINGS	FEB.1/19
2	VERSION 2	APR.28/20
3	VERSION 3	AUG.06/23
4	VERSION 4	FEB.13/25

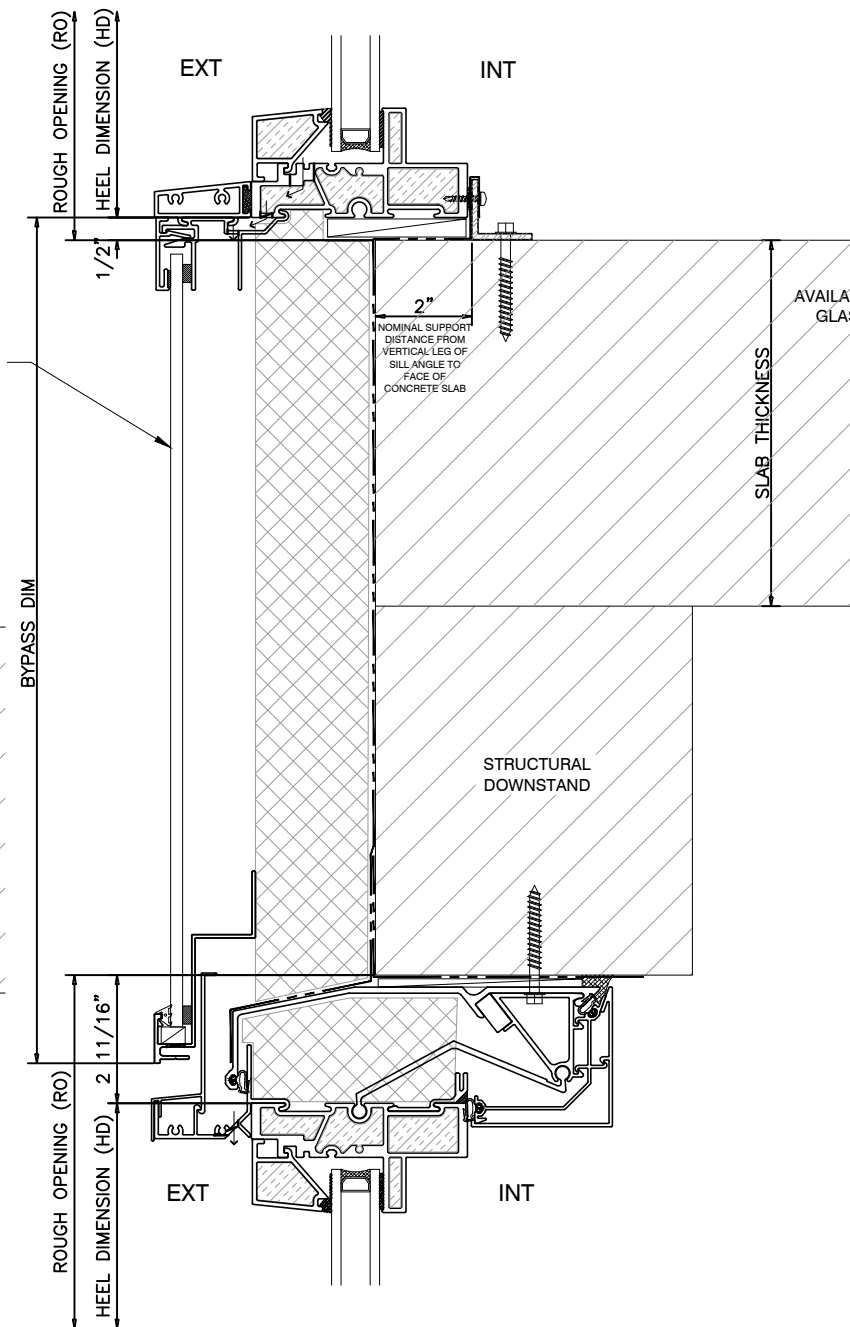
DRAWING TITLE:
WINDOW WALL DETAILS

SCALE: N.T.S. DRAWING NO.:
DATE: FEB. 13, 2025
DRAWN BY: AP
PROJECT #:

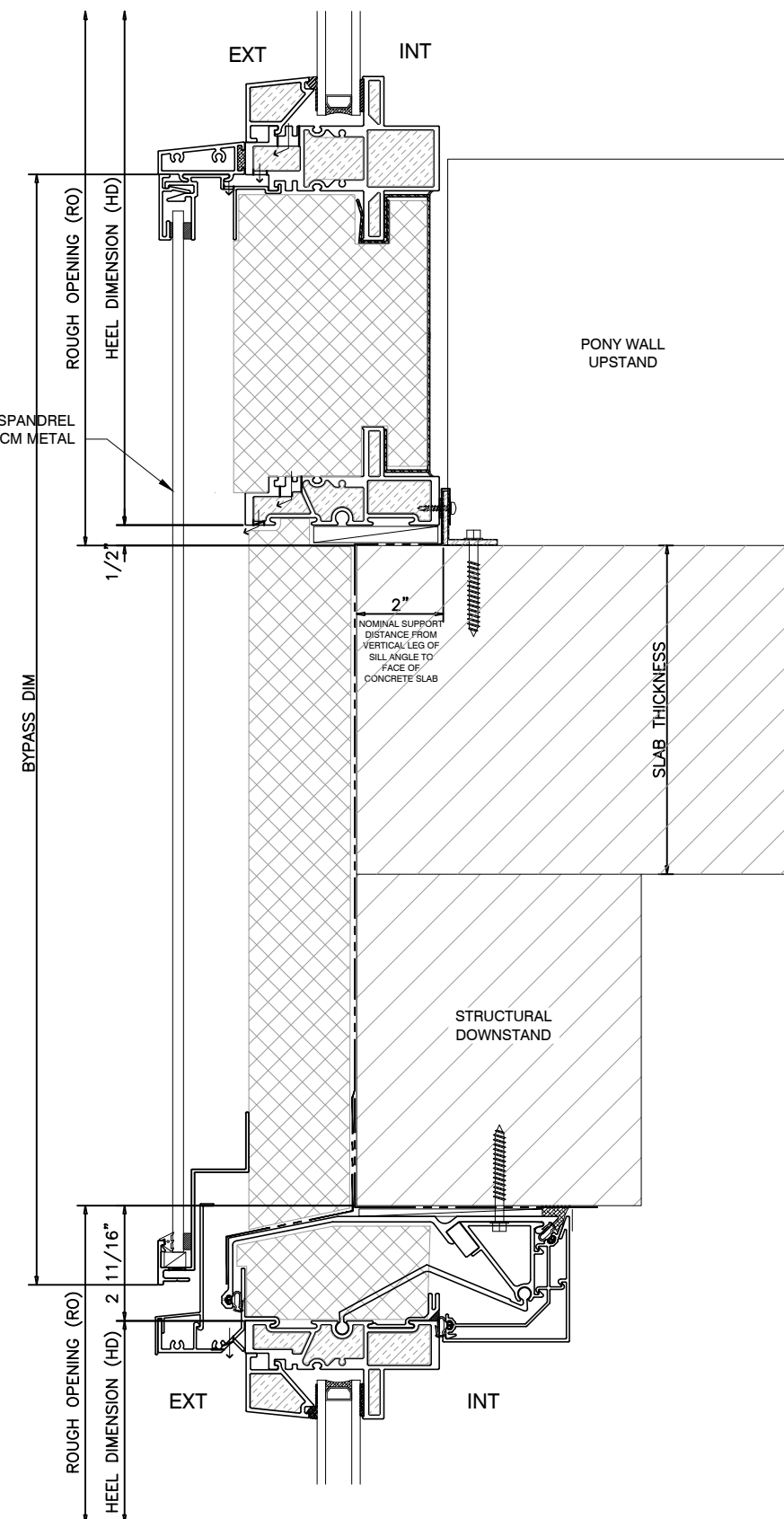
WW1



1 BYPASS DETAIL



2 BUILT DOWN HEADER



3 BUILT DOWN HEADER & PONY WALL UPSTAND

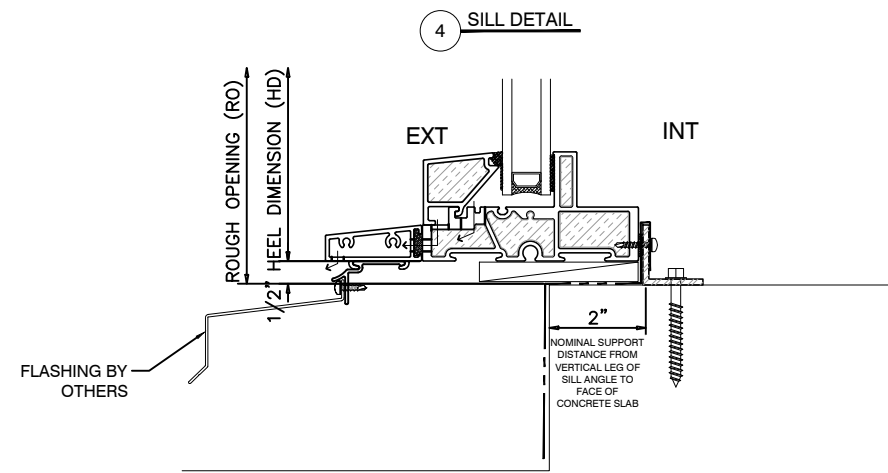
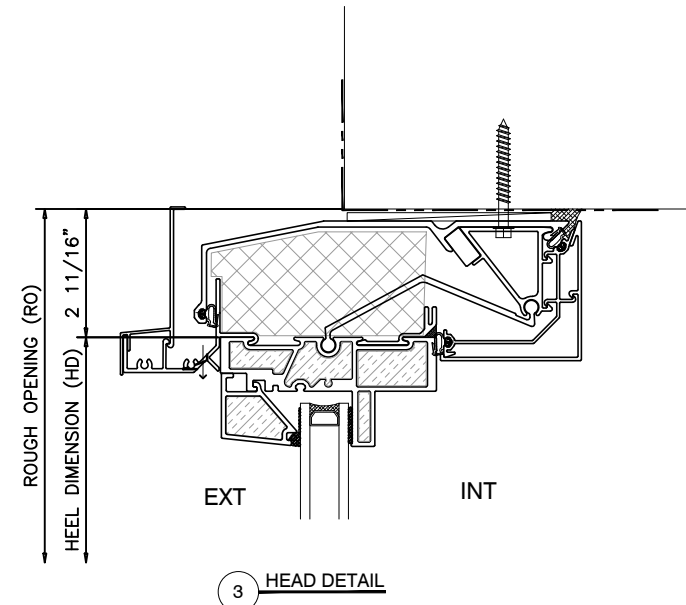
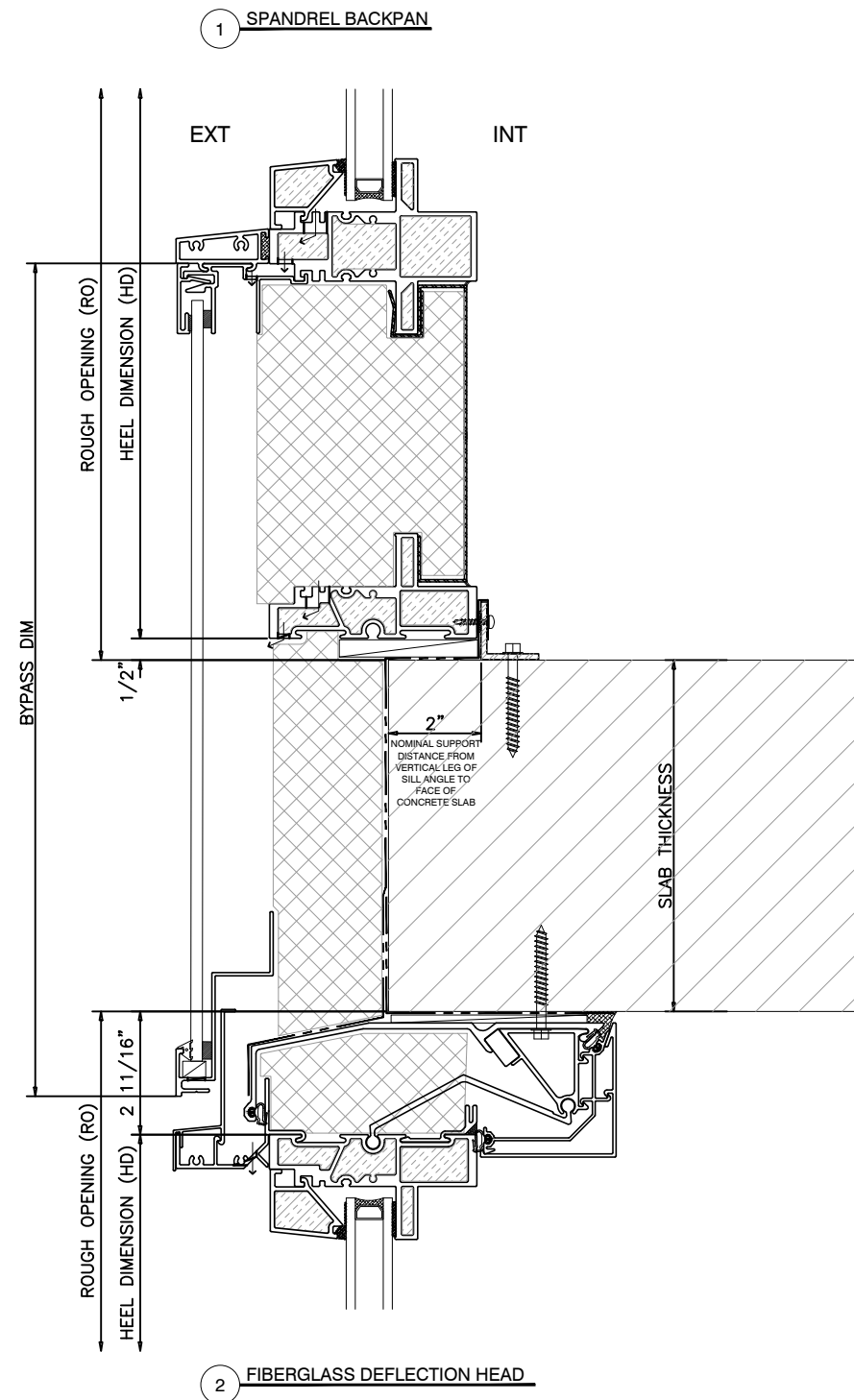
PROJECT TITLE:
**UNIVERSAL
WINDOW
WALL**

ISSUE	DESCRIPTION	DATE
1	DRAFT DRAWINGS	FEB.1/19
2	VERSION 2	APR.28/20
3	VERSION 3	AUG.06/23
4	VERSION 4	FEB.13/25

DRAWING
TITLE:
**WINDOW WALL
DETAILS**

SCALE: N.T.S.
DATE: FEB. 13, 2025
DRAWN BY: AP
PROJECT #:

DRAWING NO.:
WW2



PROJECT TITLE:
**UNIVERSAL
WINDOW
WALL**

ISSUE	DESCRIPTION	DATE
1	DRAFT DRAWINGS	FEB.1/19
2	VERSION 2	APR.28/20
3	VERSION 3	AUG.06/23
4	VERSION 4	FEB.13/25

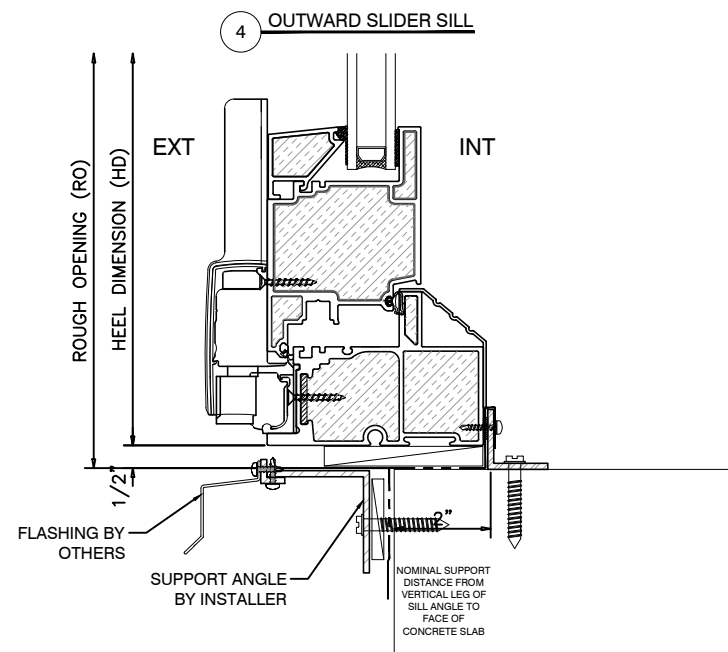
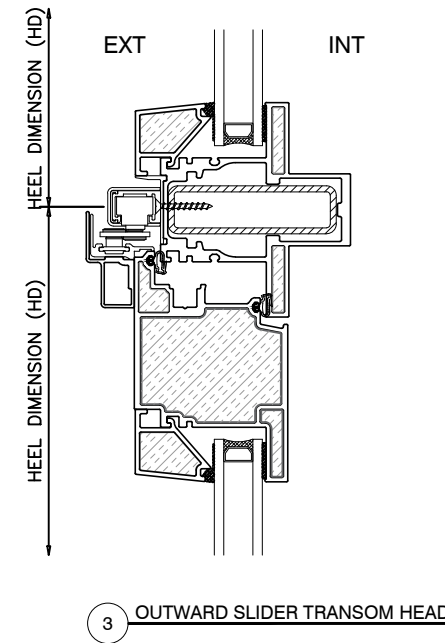
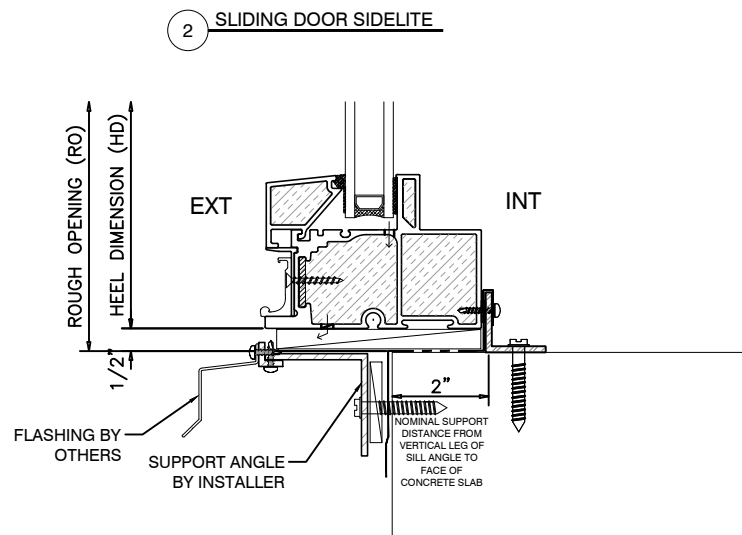
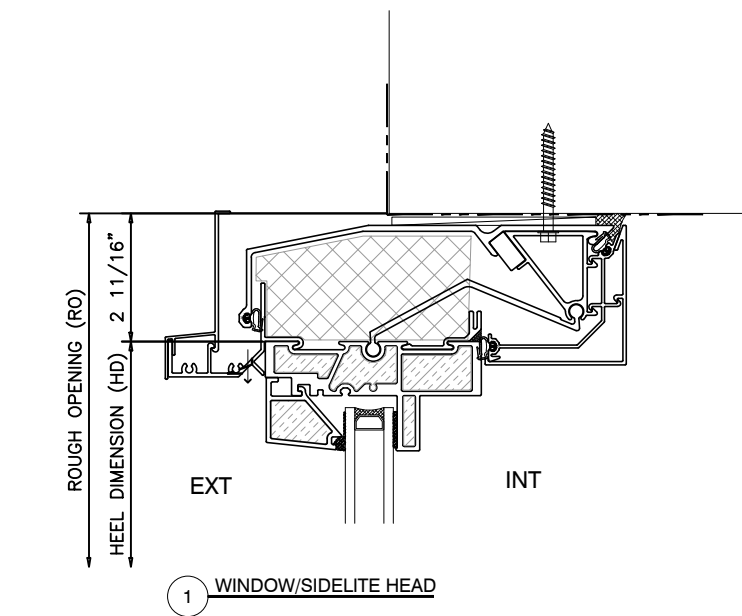
DRAWING
TITLE:
**WINDOW WALL
DETAILS**

SCALE: N.T.S. DRAWING NO.:
DATE: FEB. 13, 2025
DRAWN BY: AP **WW3**
PROJECT #:

TRANSOM ARE REQUIRED FOR SLIDING DOORS WHEN IN A WINDOW WALL CONDITION

CASCADIA
WINDOWS & DOORS

#101-5350 275TH STREET
LANGLEY, BC CANADA V4W 0C1
604 857 4600
CASCADIAWINDOWS.COM



PROJECT TITLE:
UNIVERSAL WINDOW WALL

ISSUE	DESCRIPTION	DATE
1	DRAFT DRAWINGS	FEB.1/19
2	VERSION 2	APR.28/20
3	VERSION 3	AUG.06/23
4	VERSION 4	FEB.13/25

DRAWING TITLE:
WINDOW WALL DETAILS

SCALE: N.T.S. DRAWING NO.:
DATE: FEB. 13, 2025
DRAWN BY: AP
PROJECT #:

WW4

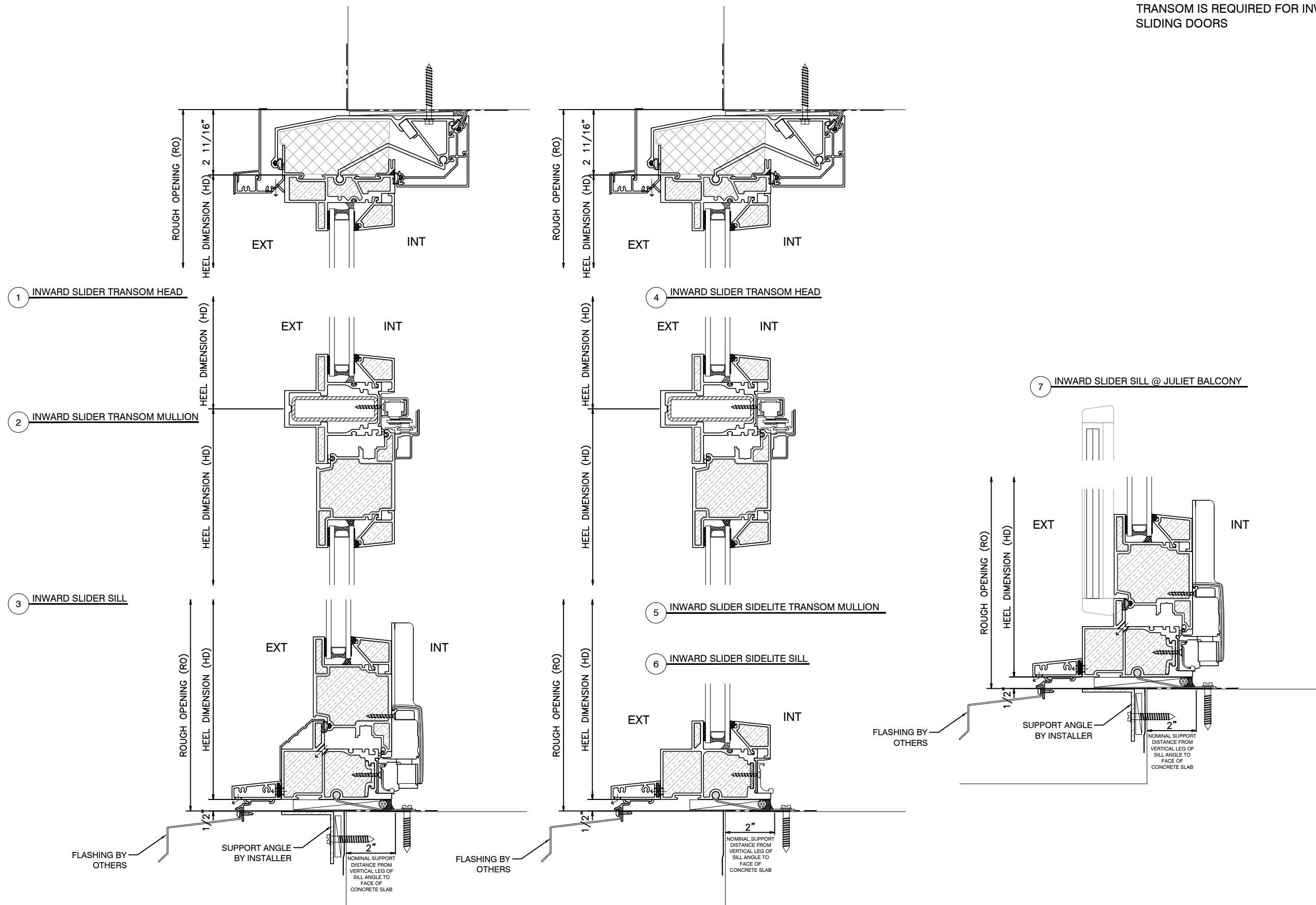
TRANSOM IS REQUIRED FOR INWARD SLIDING DOORS

CASCADIA
WINDOWS & DOORS

#101-5350 275TH STREET
LANGLEY, BC CANADA V4W 0C1

604 857 4600

CASCADIAWINDOWS.COM



1 INWARD SLIDER TRANSOM HEAD

2 INWARD SLIDER TRANSOM MULLION

3 INWARD SLIDER SILL

4 INWARD SLIDER TRANSOM HEAD

5 INWARD SLIDER SIDELITE TRANSOM MULLION

6 INWARD SLIDER SIDELITE SILL

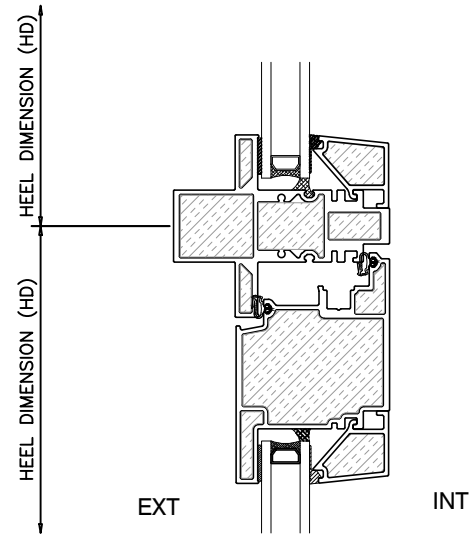
7 INWARD SLIDER SILL @ JULIET BALCONY

PROJECT TITLE:
UNIVERSAL WINDOW WALL

ISSUE	DESCRIPTION	DATE
1	DRAFT DRAWINGS	FEB.1/19
2	VERSION 2	APR.28/20
3	VERSION 3	AUG.06/23
4	VERSION 4	FEB.13/25

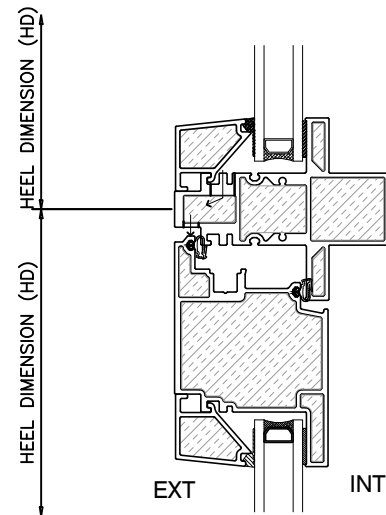
DRAWING TITLE:
WINDOW WALL DETAILS

SCALE: N.T.S. DRAWING NO.:
DATE: FEB. 13, 2025
DRAWN BY: AP **WW5**
PROJECT #:



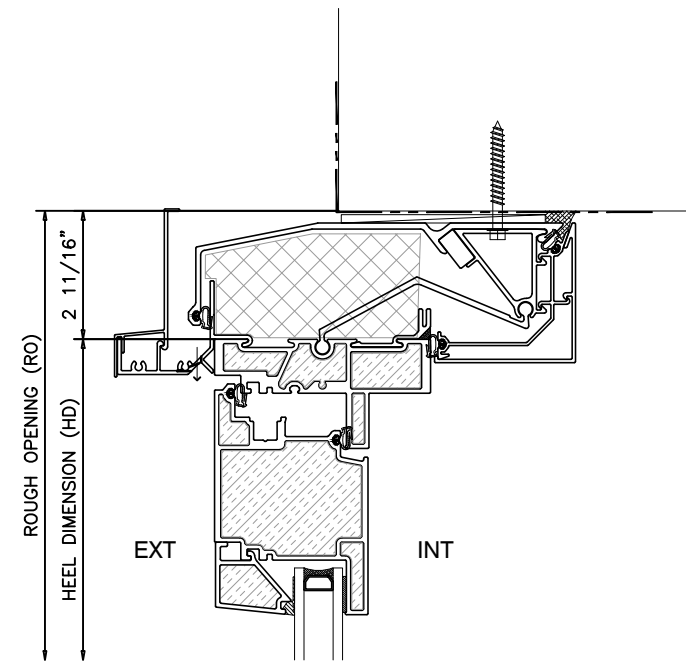
1 INSWING DOOR HEAD AT TRANSOM

2 INSWING DOOR SILL

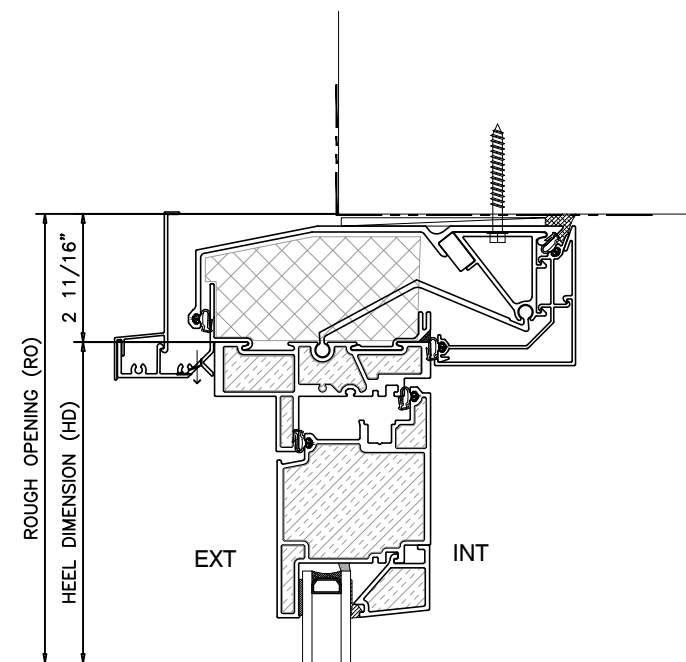
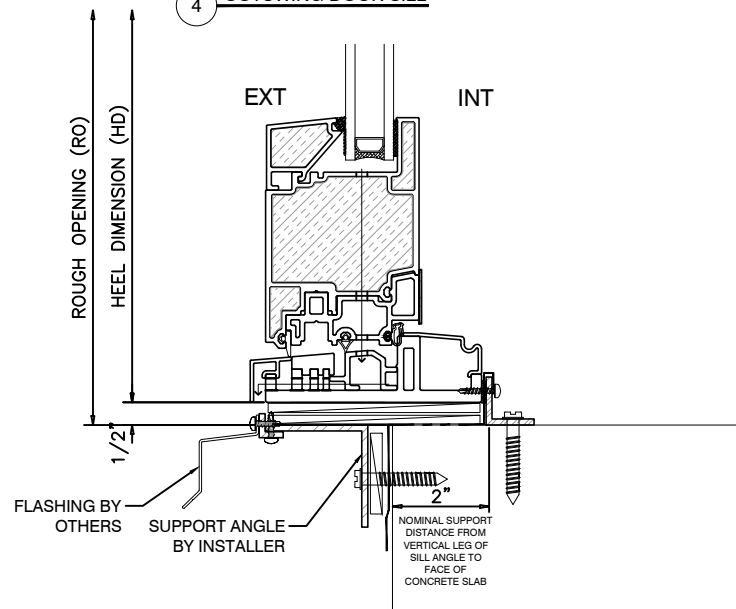
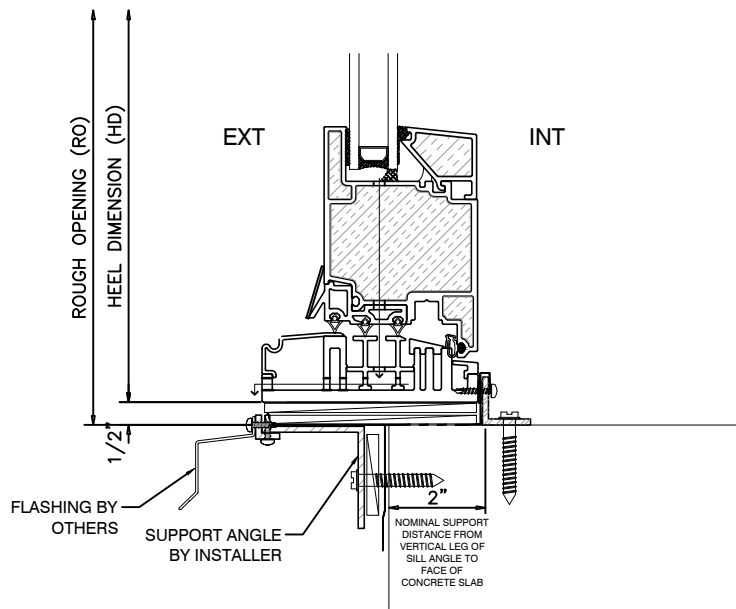


3 OUTSWING DOOR HEAD AT TRANSOM

4 OUTSWING DOOR SILL



5 OUTSWING DOOR HEAD



6 INSWING DOOR HEAD

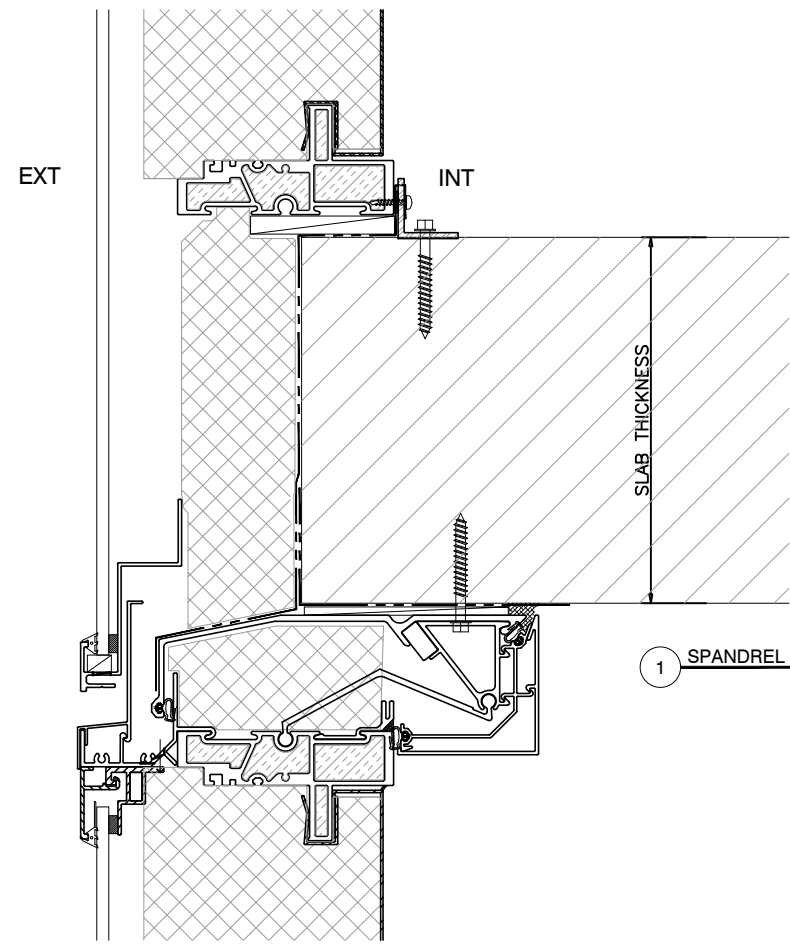
PROJECT TITLE:
**UNIVERSAL
WINDOW
WALL**

ISSUE	DESCRIPTION	DATE
1	DRAFT DRAWINGS	FEB.1/19
2	VERSION 2	APR.28/20
3	VERSION 3	AUG.06/23
4	VERSION 4	FEB.13/25

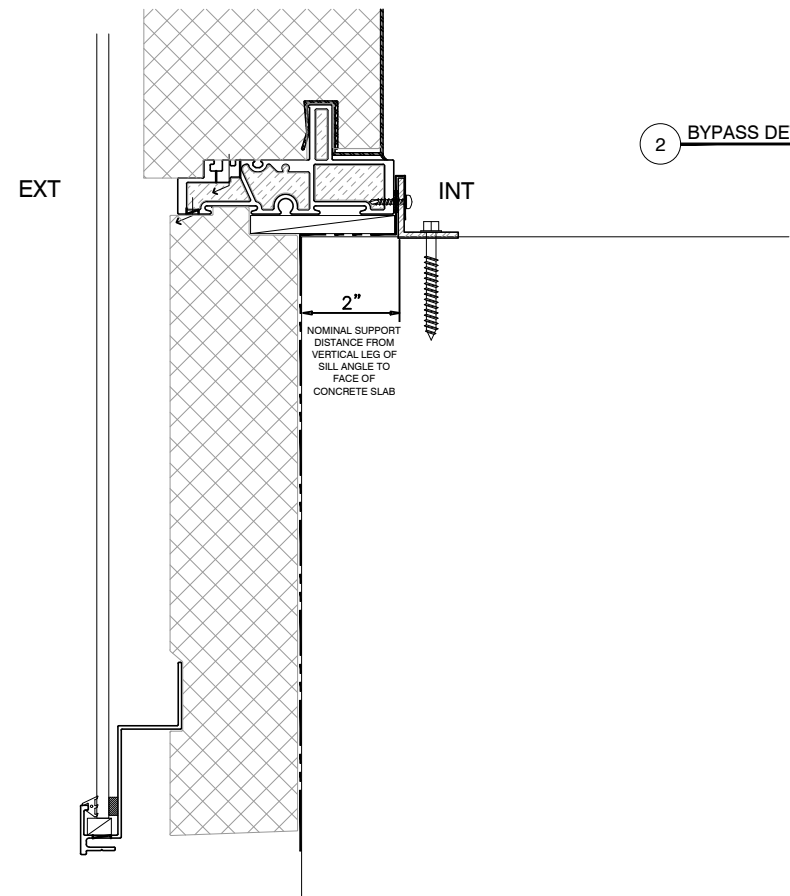
DRAWING
TITLE:
**WINDOW WALL
DETAILS**

SCALE: N.T.S.
DATE: FEB. 13, 2025
DRAWN BY: AP
PROJECT #:

DRAWING NO.:
WW6

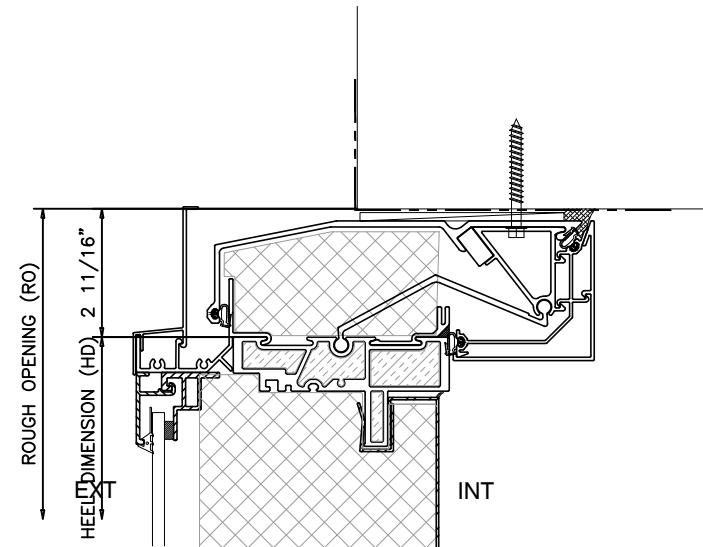


1 SPANDREL BYPASS DETAIL

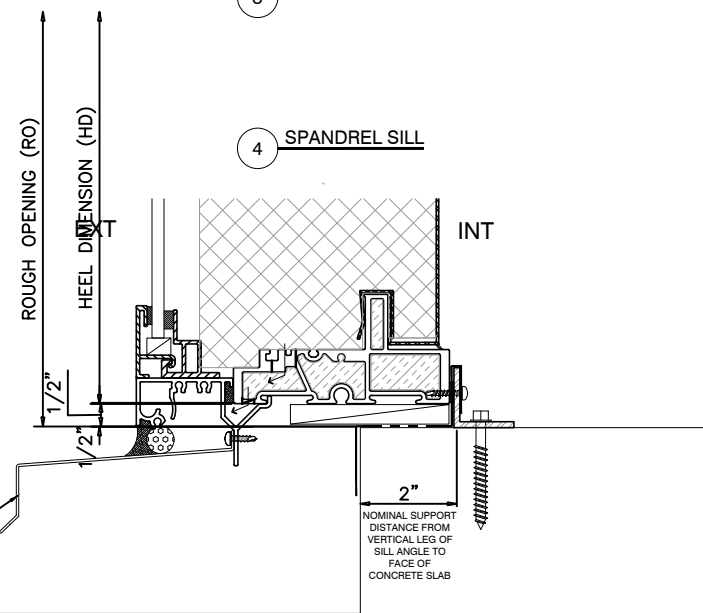


2 BYPASS DETAIL

2"
NOMINAL SUPPORT
DISTANCE FROM
VERTICAL LEG OF
SILL ANGLE TO
FACE OF
CONCRETE SLAB



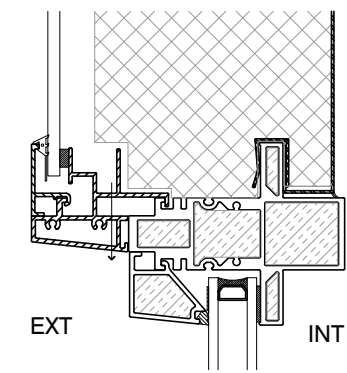
3 SPANDREL HEAD



4 SPANDREL SILL

FLASHING BY
OTHERS

2"
NOMINAL SUPPORT
DISTANCE FROM
VERTICAL LEG OF
SILL ANGLE TO
FACE OF
CONCRETE SLAB



5 MULLION WITH BACKPAN ABOVE

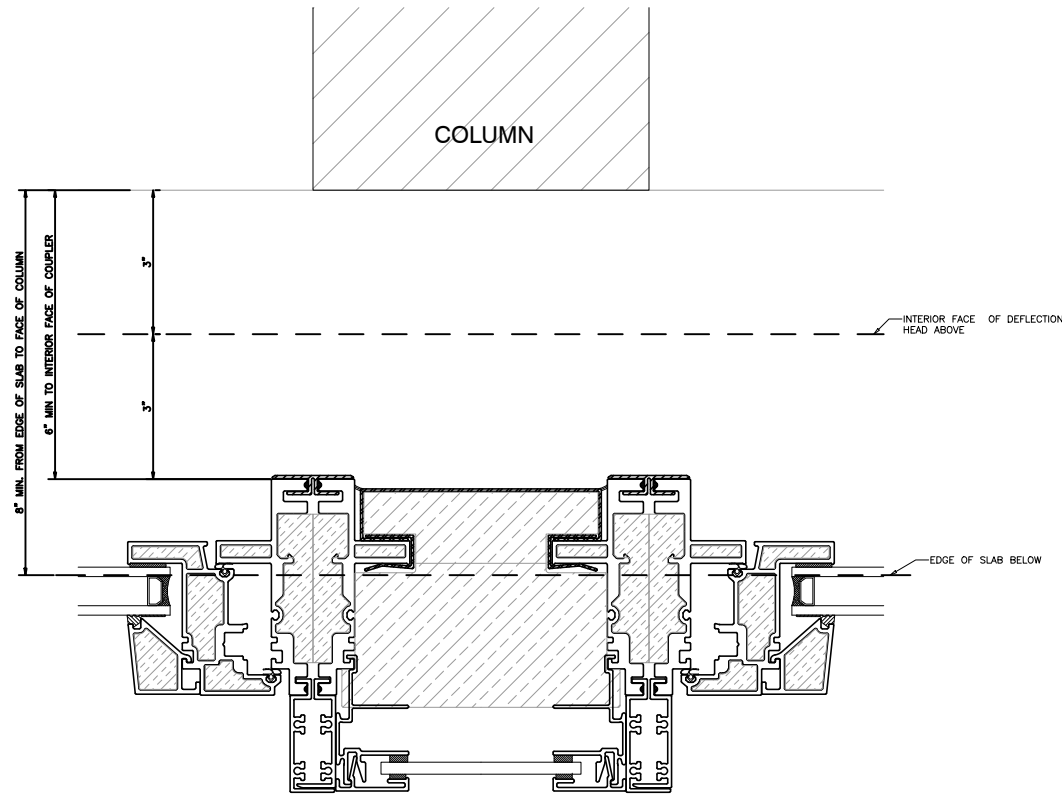
PROJECT TITLE:
**UNIVERSAL
WINDOW
WALL**

ISSUE	DESCRIPTION	DATE
1	DRAFT DRAWINGS	FEB.1/19
2	VERSION 2	APR.28/20
3	VERSION 3	AUG.06/23
4	VERSION 4	FEB.13/25

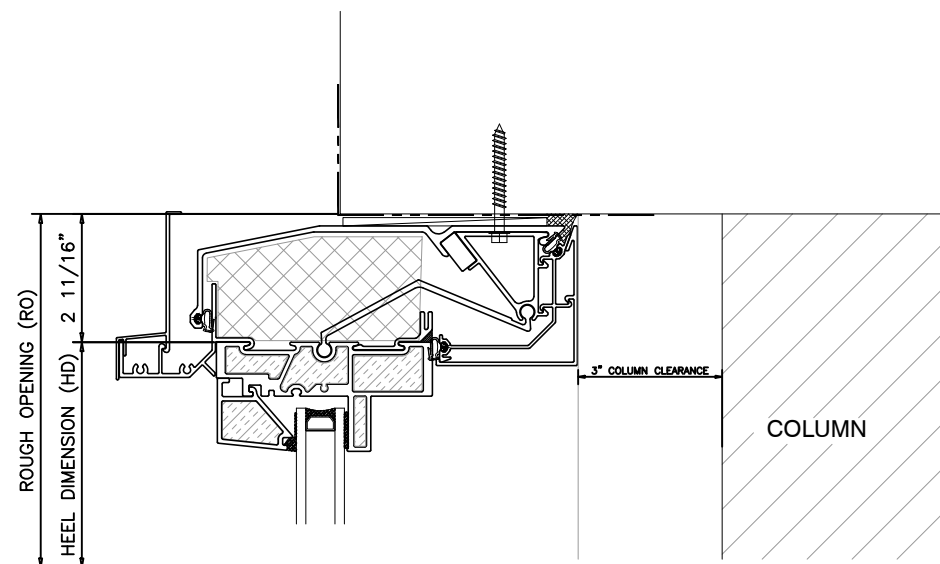
DRAWING
TITLE:
**WINDOW WALL
DETAILS**

SCALE: N.T.S.
DATE: FEB. 13, 2025
DRAWN BY: AP
PROJECT #:

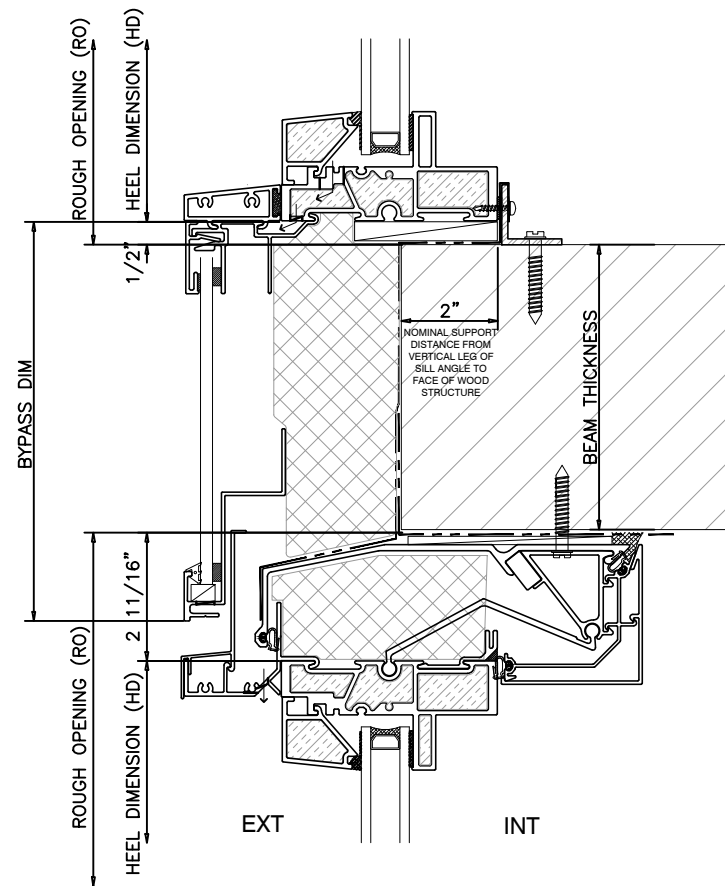
DRAWING NO.:
WW7



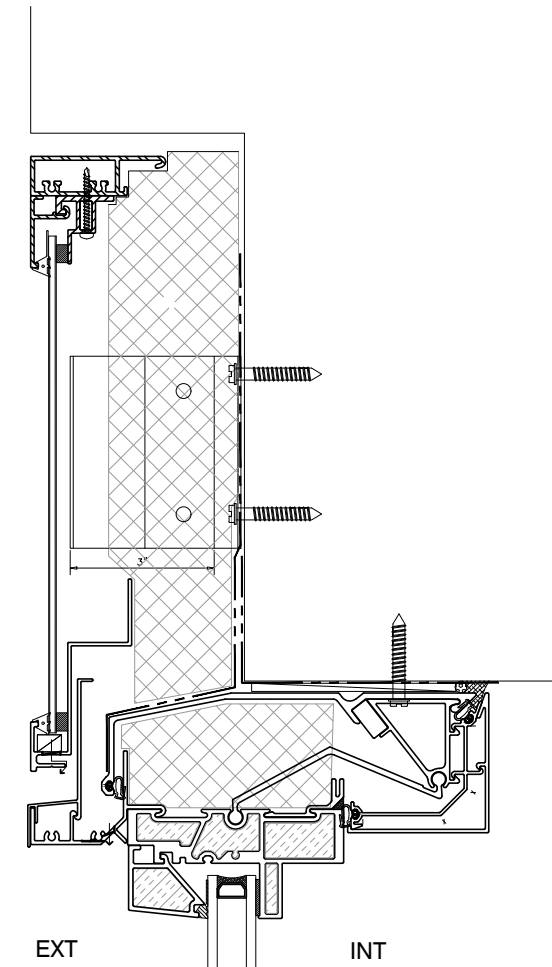
1 COLUMN CLEARANCE COUPLER



2 COLUMN CLEARANCE AT HEAD



3 SILL & HEAD AT BEAM



4 PARAPET DETAIL

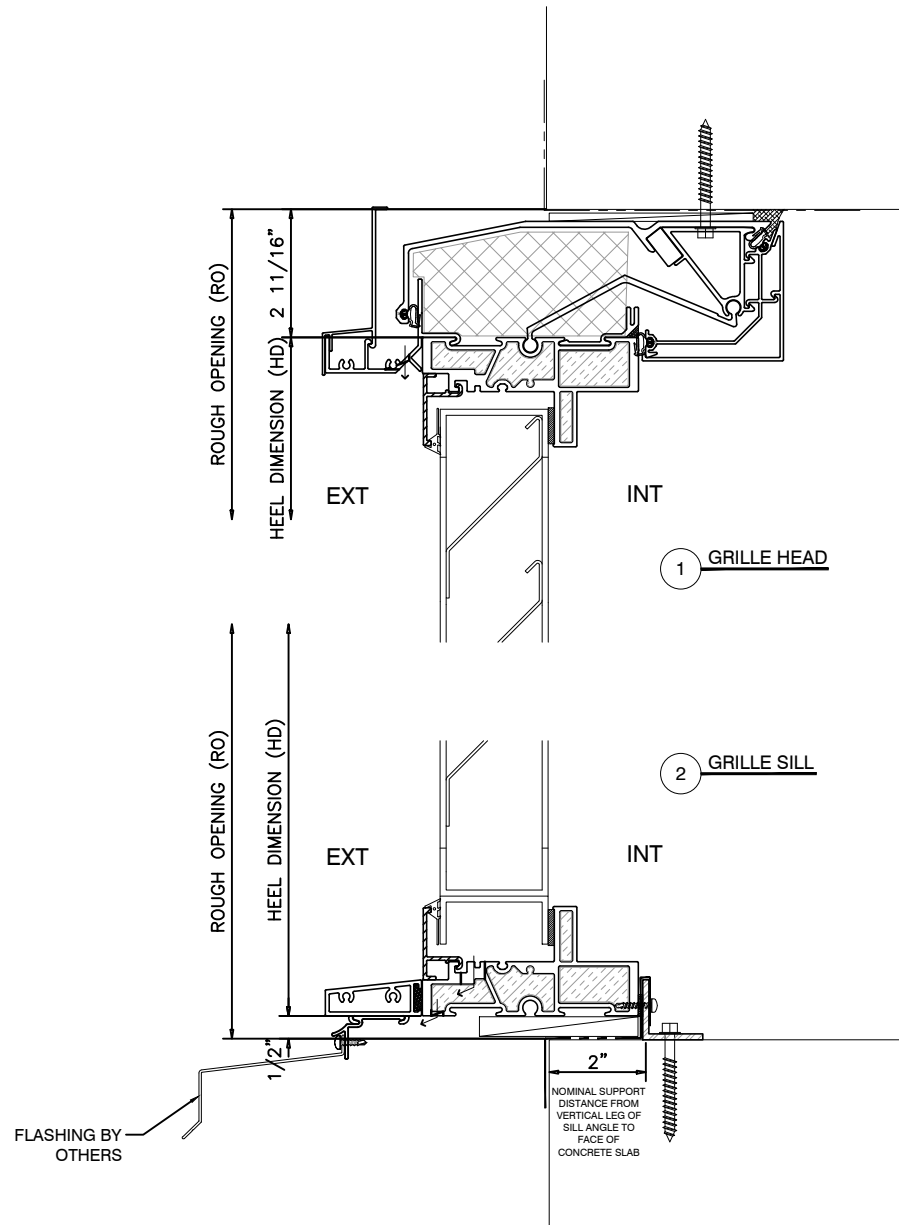
PROJECT TITLE:
**UNIVERSAL
WINDOW
WALL**

ISSUE	DESCRIPTION	DATE
1	DRAFT DRAWINGS	FEB.1/19
2	VERSION 2	APR.28/20
3	VERSION 3	AUG.06/23
4	VERSION 4	FEB.13/25

DRAWING
TITLE:
**WINDOW WALL
DETAILS**

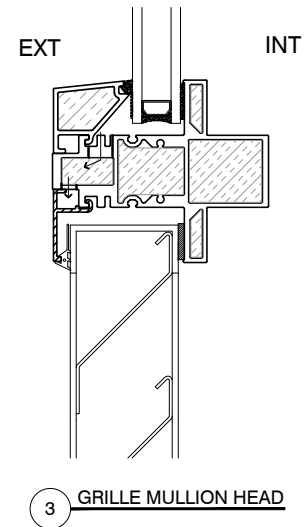
SCALE: N.T.S. DRAWING NO.:
DATE: FEB. 13, 2025
DRAWN BY: AP
PROJECT #:

WW8



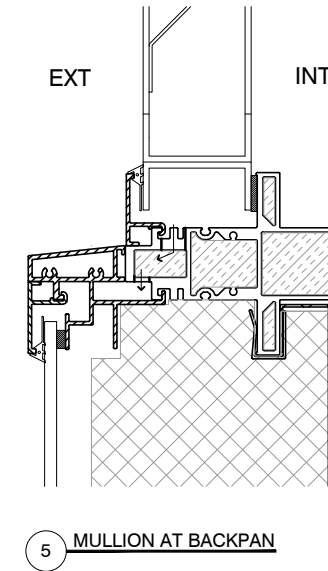
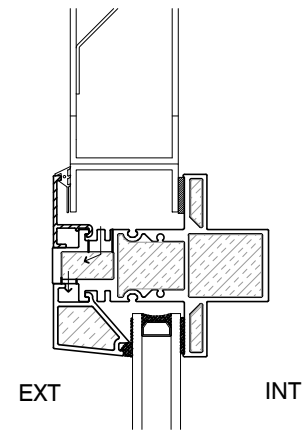
1 GRILLE HEAD

2 GRILLE SILL



3 GRILLE MULLION HEAD

4 GRILLE MULLION SILL



5 MULLION AT BACKPAN

PROJECT TITLE:
**UNIVERSAL
WINDOW
WALL**

ISSUE	DESCRIPTION	DATE
1	DRAFT DRAWINGS	FEB.1/19
2	VERSION 2	APR.28/20
3	VERSION 3	AUG.06/23
4	VERSION 4	FEB.13/25

DRAWING
TITLE:
**WINDOW WALL
DETAILS**

SCALE: N.T.S.
DATE: FEB. 13, 2025
DRAWN BY: AP
PROJECT #:

DRAWING NO.:
WW9

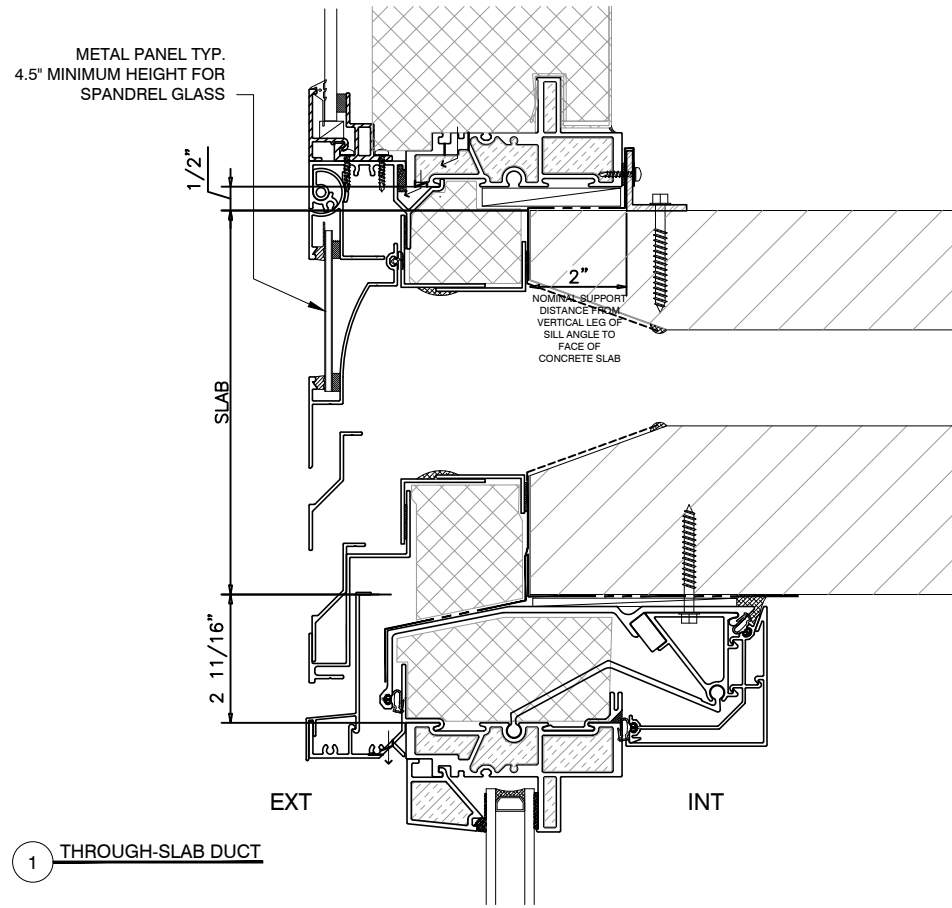
PROJECT TITLE:
**UNIVERSAL
WINDOW
WALL**

ISSUE	DESCRIPTION	DATE
1	DRAFT DRAWINGS	FEB.1/19
2	VERSION 2	APR.28/20
3	VERSION 3	AUG.06/23
4	VERSION 4	FEB.13/25

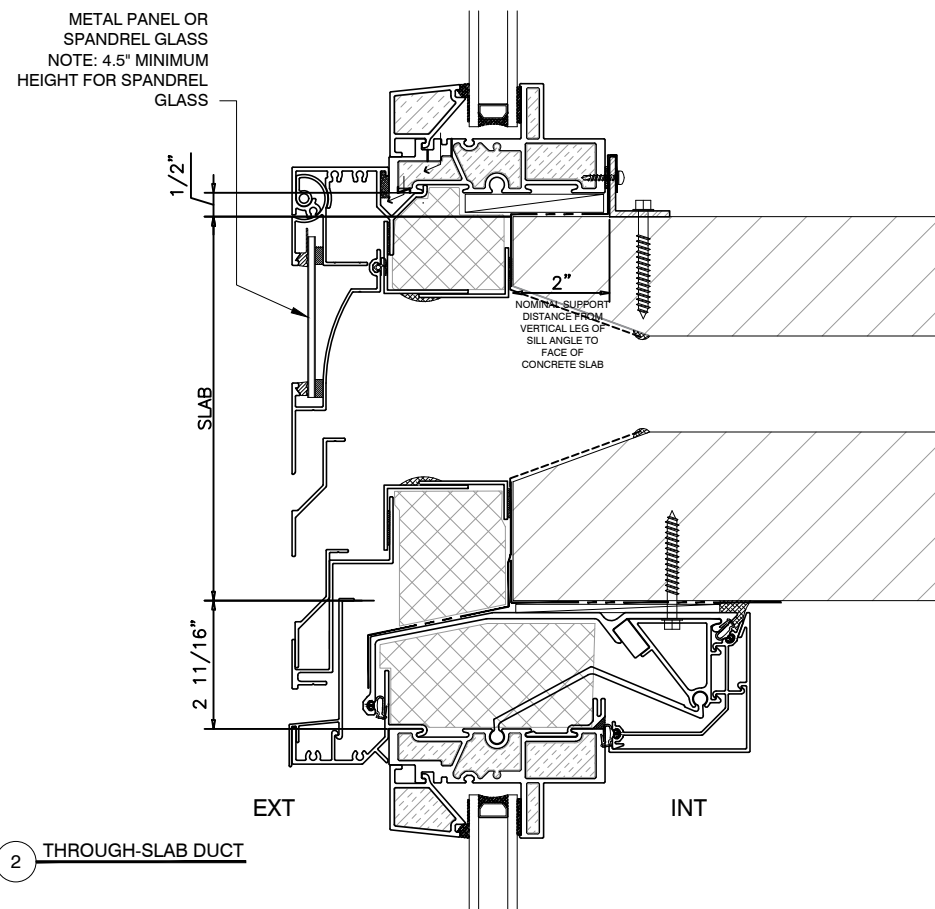
DRAWING
TITLE:
**WINDOW WALL
DETAILS**

SCALE: N.T.S. DRAWING NO.:
DATE: FEB. 13, 2025
DRAWN BY: AP
PROJECT #:

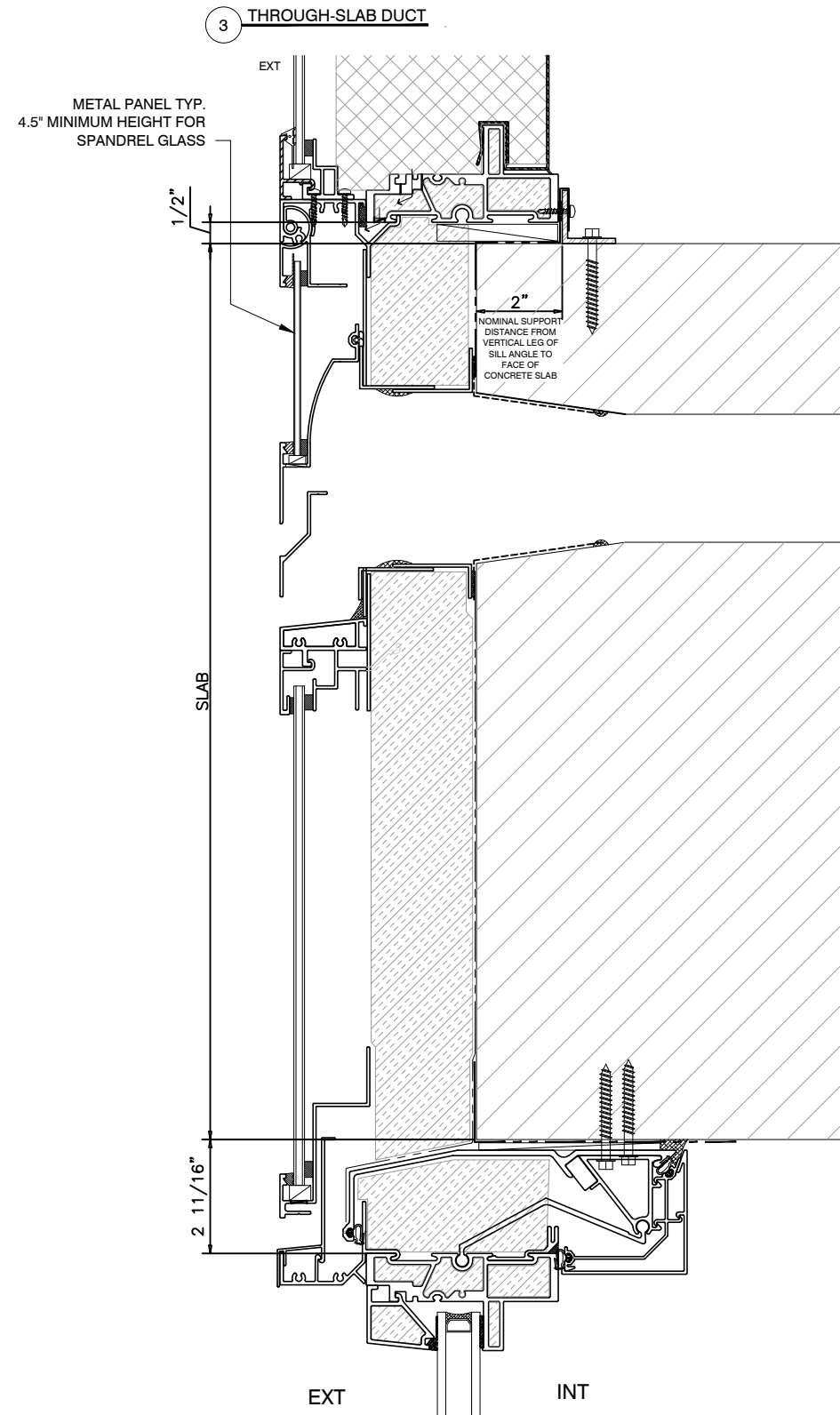
WW10



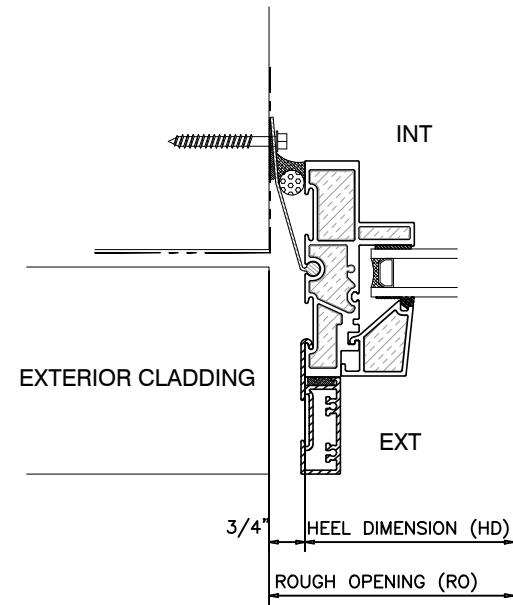
1 THROUGH-SLAB DUCT



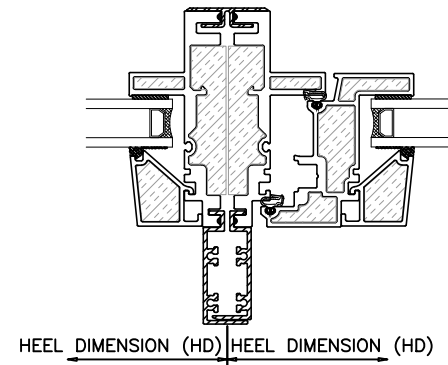
2 THROUGH-SLAB DUCT



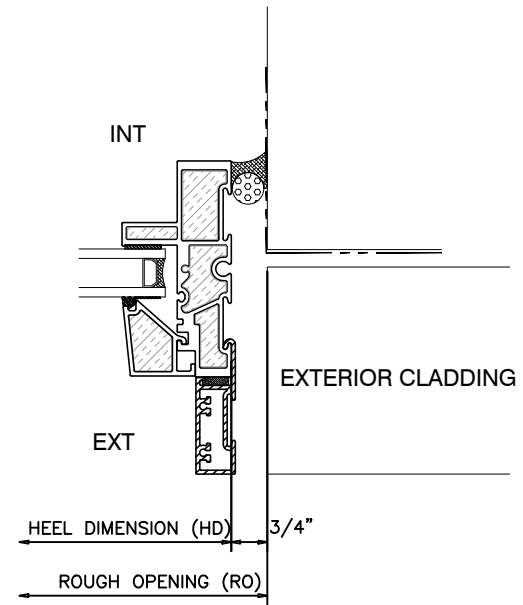
3 THROUGH-SLAB DUCT



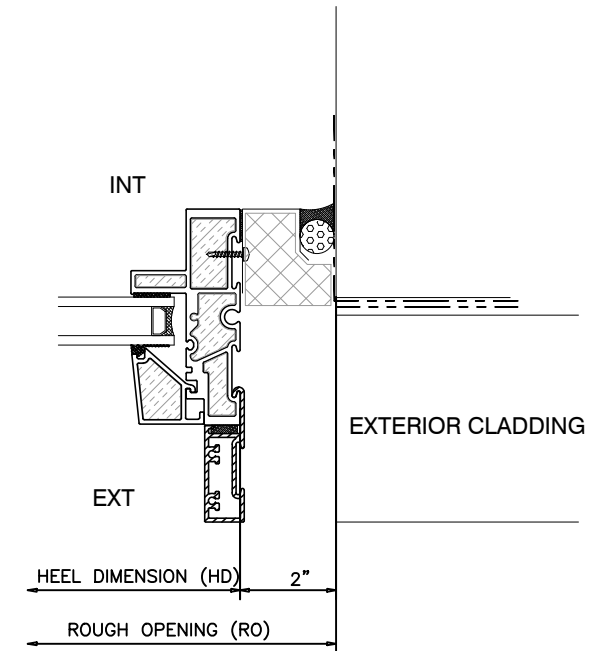
1 WINDOW WALL JAMB



2 VERTICAL COUPLER

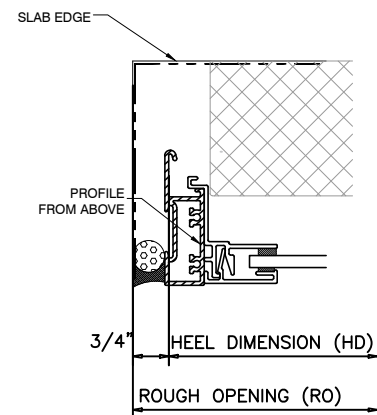


3 WINDOW WALL FREE-SPANNING JAMB

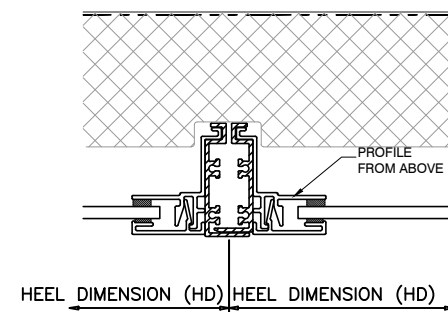


4 CRUMPLE ZONE JAMB

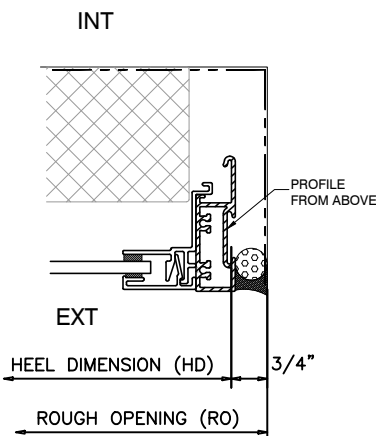
EXPLANATORY NOTE: USE THIS DETAIL AT LOCATIONS THAT HAVE UNUSUALLY HIGH DRIFT REQUIREMENTS.



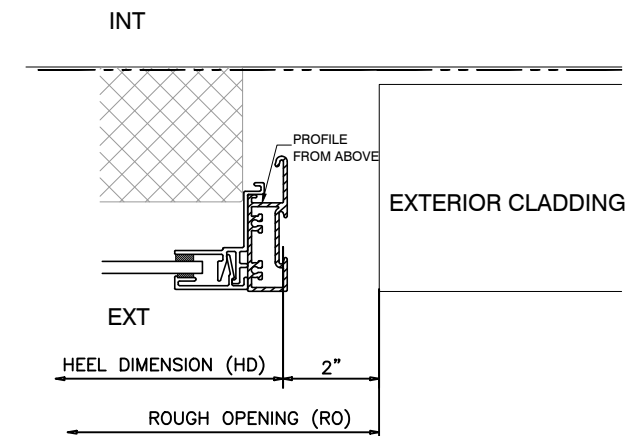
5 JAMB @ SLAB BYPASS



6 COUPLER @ SLAB BYPASS



7 JAMB @ SLAB BYPASS



7 JAMB @ SLAB BYPASS

PROJECT TITLE:
UNIVERSAL WINDOW WALL

ISSUE	DESCRIPTION	DATE
1	DRAFT DRAWINGS	FEB.1/19
2	VERSION 2	APR.28/20
3	VERSION 3	AUG.06/23
4	VERSION 4	FEB.13/25

DRAWING TITLE:
WINDOW WALL DETAILS

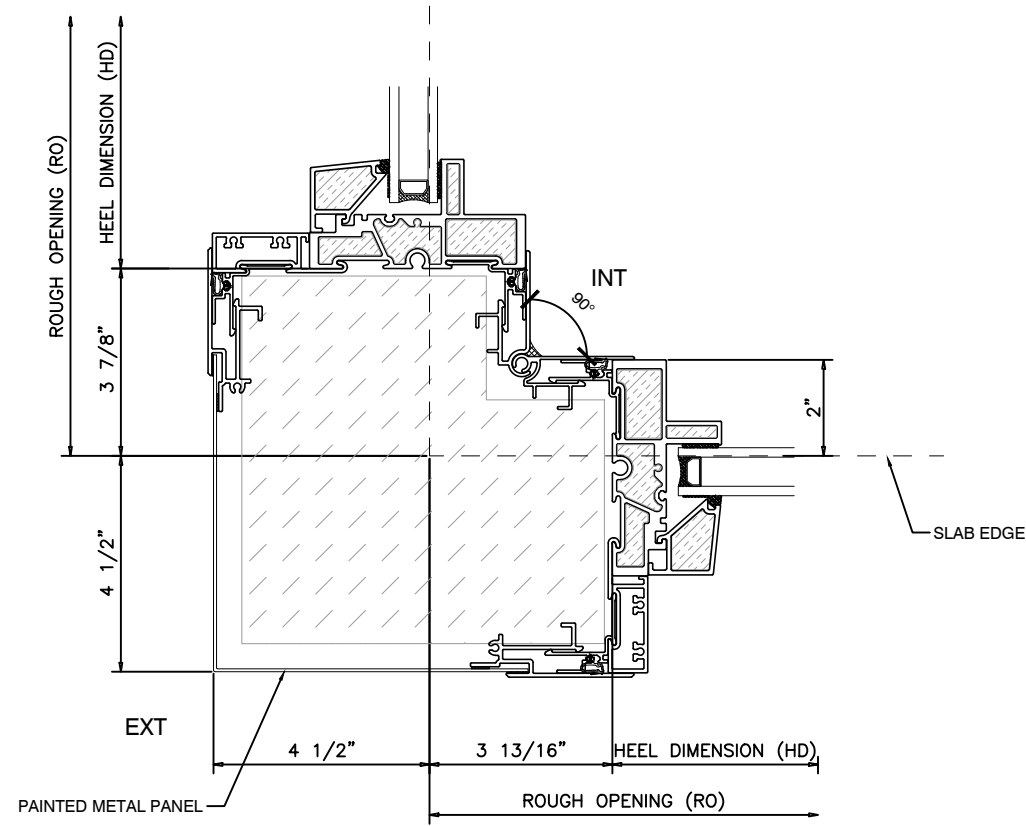
SCALE: N.T.S. DRAWING NO.:
DATE: FEB. 13, 2025
DRAWN BY: AP
PROJECT #:

WW11

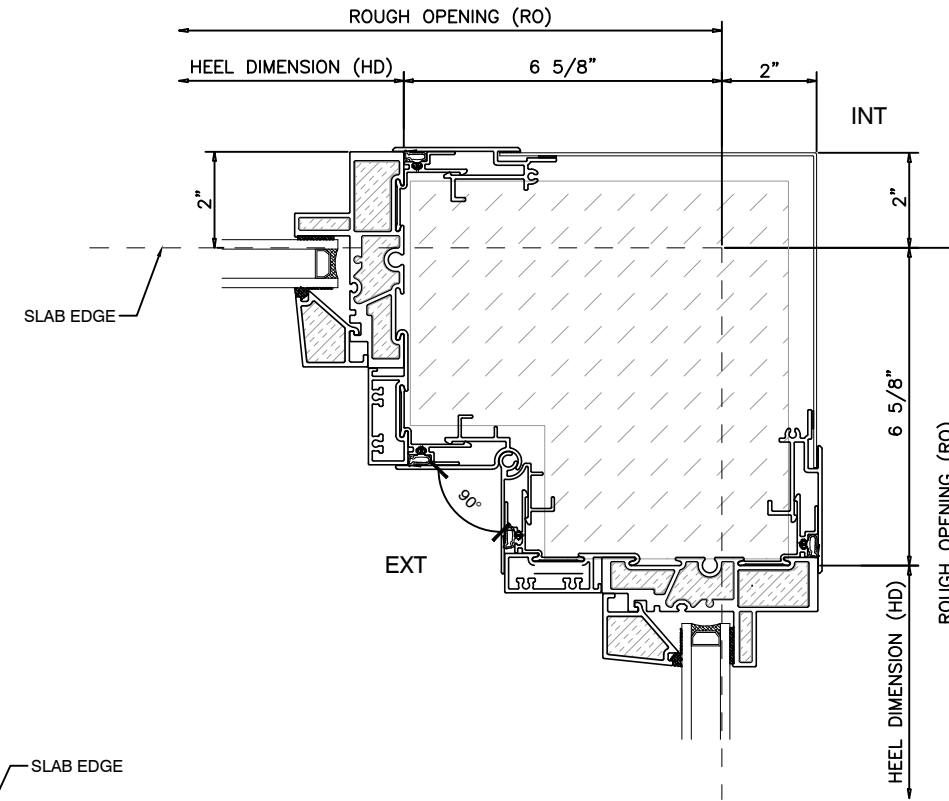
NOTE: CUSTOM ANGLES FOR SEGMENTED WINDOWS AVAILABLE

CASCADIA
WINDOWS & DOORS

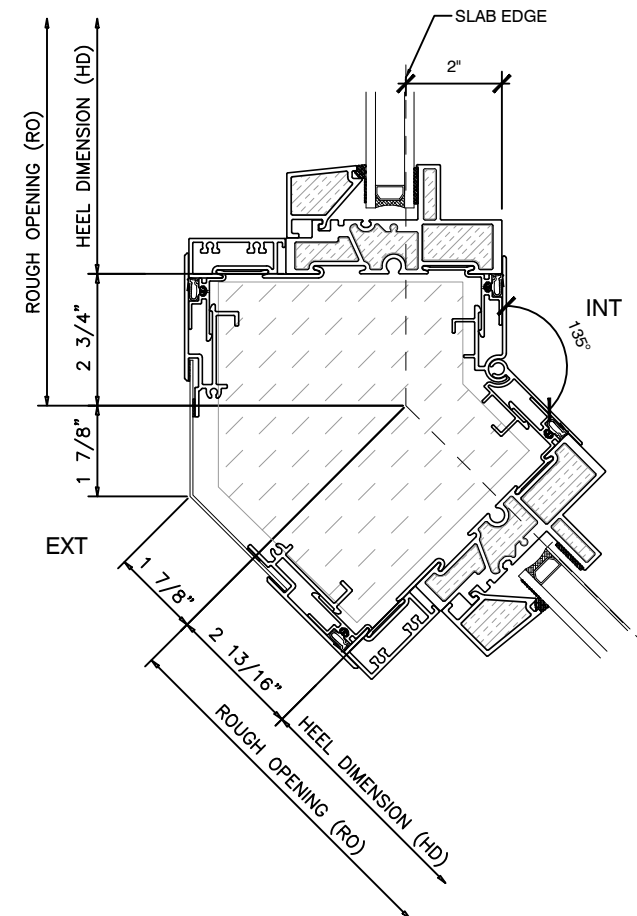
#101-5350 275TH STREET
LANGLEY, BC CANADA V4W 0C1
604 857 4600
CASCADIAWINDOWS.COM



1 90 DEGREE WW OUTSIDE CORNER



2 90 DEGREE WW INSIDE CORNER



3 WW 135° OUTSIDE CORNER

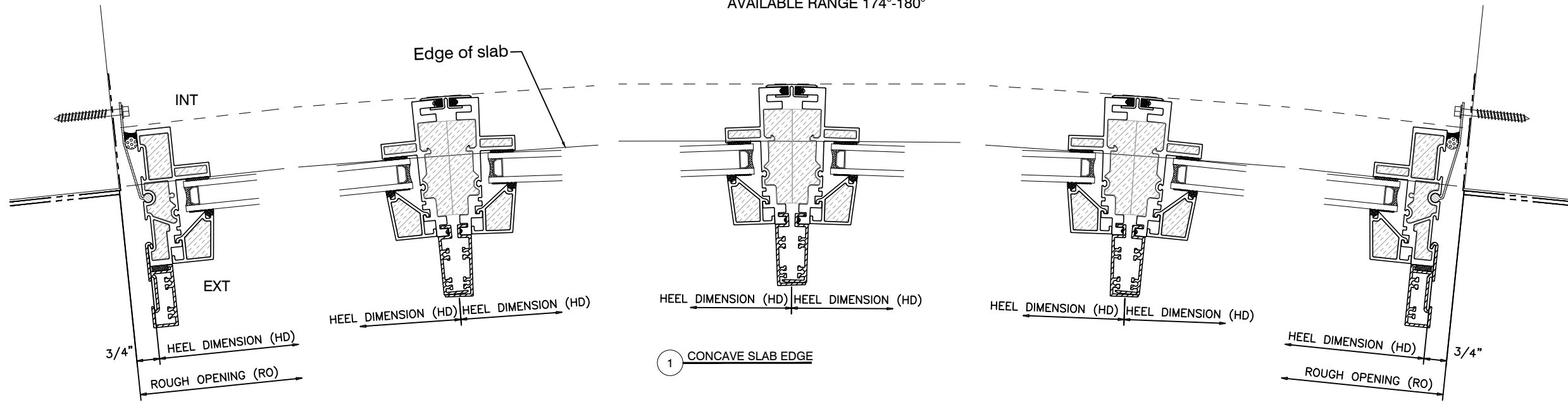
PROJECT TITLE:
UNIVERSAL WINDOW WALL

ISSUE	DESCRIPTION	DATE
1	DRAFT DRAWINGS	FEB.1/19
2	VERSION 2	APR.28/20
3	VERSION 3	AUG.06/23
4	VERSION 4	FEB.13/25

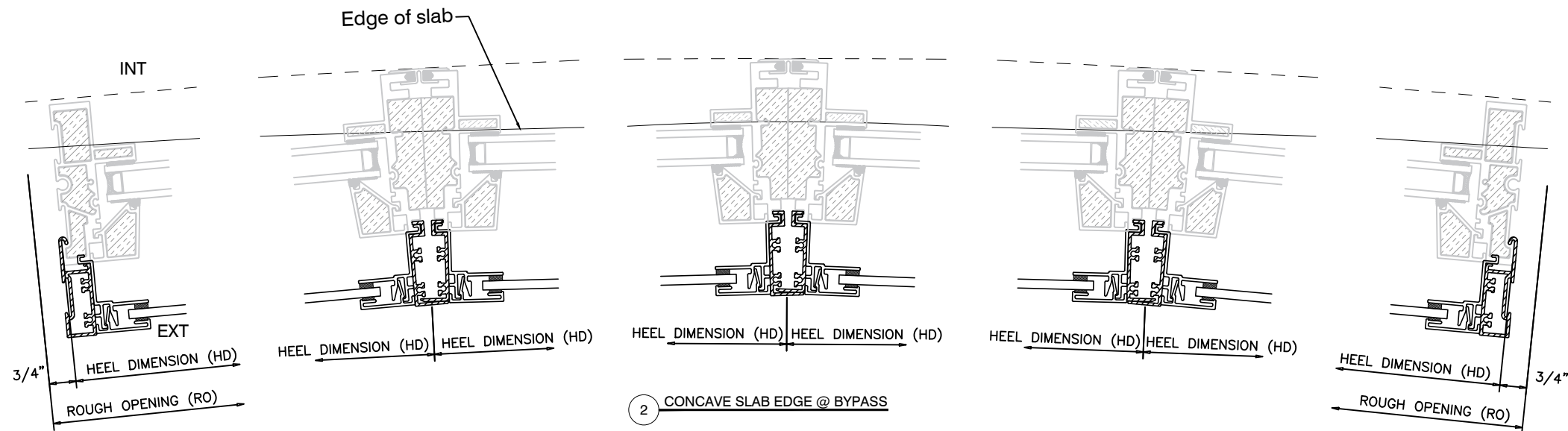
DRAWING TITLE:
WINDOW WALL DETAILS

SCALE: N.T.S. DRAWING NO.:
DATE: FEB. 13, 2025
DRAWN BY: AP **WW12**
PROJECT #:

AVAILABLE RANGE 174°-180°



1 CONCAVE SLAB EDGE



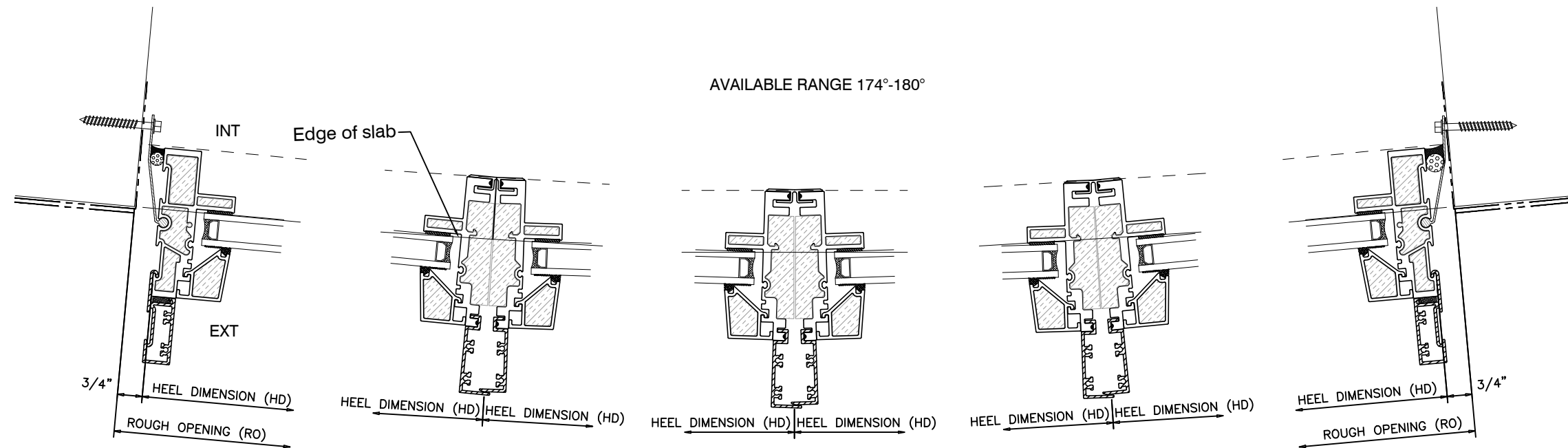
2 CONCAVE SLAB EDGE @ BYPASS

PROJECT TITLE:
**UNIVERSAL
WINDOW
WALL**

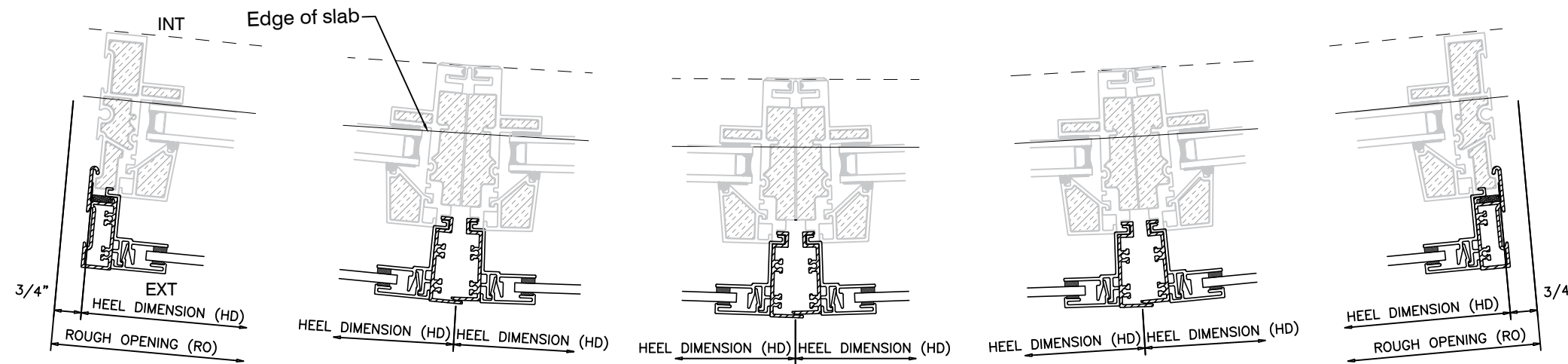
ISSUE	DESCRIPTION	DATE
1	DRAFT DRAWINGS	FEB.1/19
2	VERSION 2	APR.28/20
3	VERSION 3	AUG.06/23
4	VERSION 4	FEB.13/25

DRAWING
TITLE:
**WINDOW WALL
DETAILS**

SCALE: N.T.S. DRAWING NO.:
DATE: FEB. 13, 2025
DRAWN BY: AP **WW13**
PROJECT #:



1 CONVEX SLAB EDGE



2 CONVEX SLAB EDGE @ BYPASS

PROJECT TITLE:
**UNIVERSAL
WINDOW
WALL**

ISSUE	DESCRIPTION	DATE
1	DRAFT DRAWINGS	FEB.1/19
2	VERSION 2	APR.28/20
3	VERSION 3	AUG.06/23
4	VERSION 4	FEB.13/25

DRAWING
TITLE:
**WINDOW WALL
DETAILS**

SCALE: N.T.S.

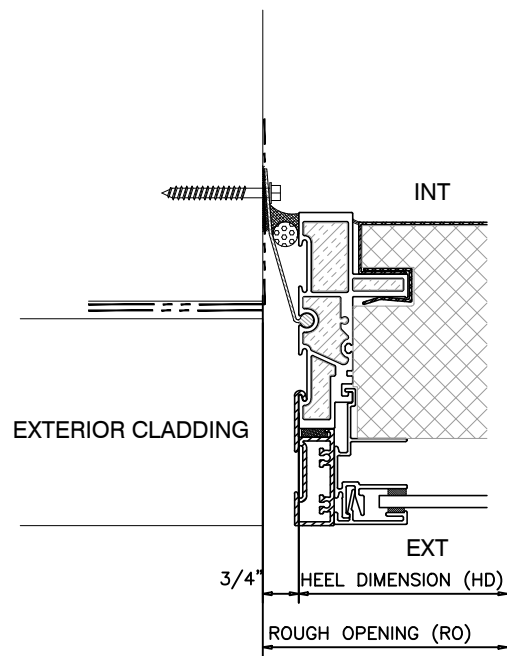
DATE: FEB. 13, 2025

DRAWN BY: AP

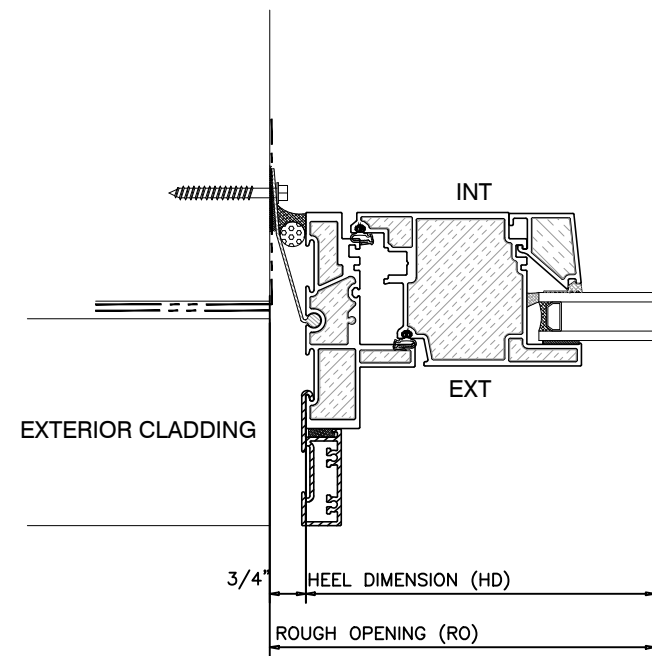
PROJECT #:

DRAWING NO.:

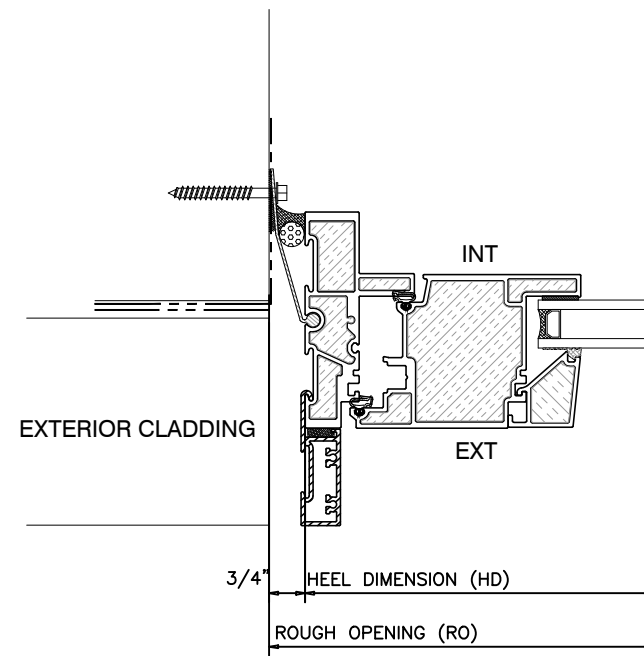
WW14



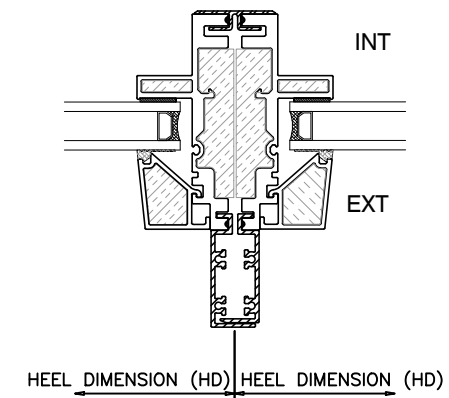
1 BACKPAN JAMB



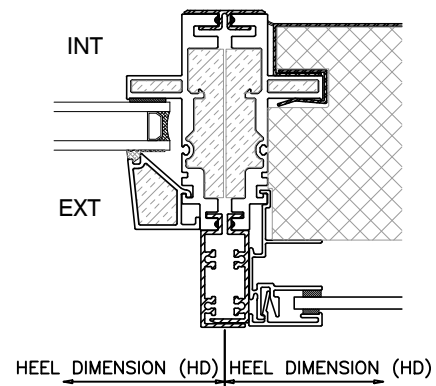
2 INSWING/INWARD SLIDER DOOR JAMB



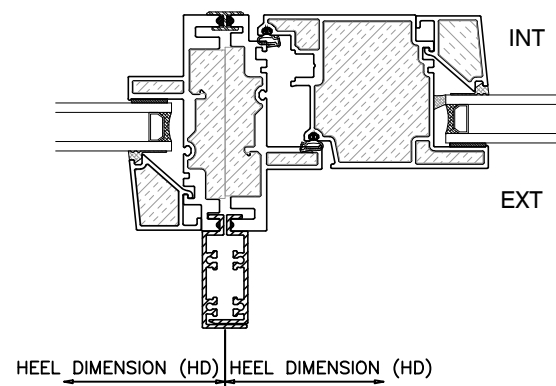
3 OUTSWING/OUTWARD SLIDER DOOR JAMB



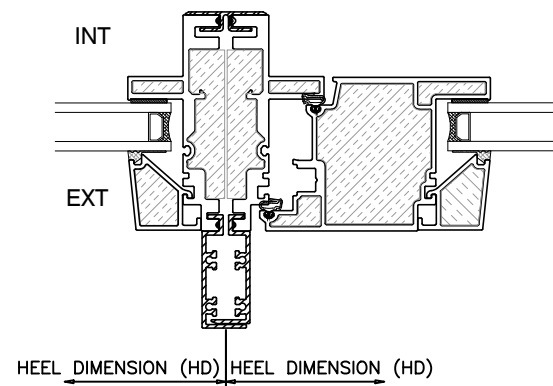
4 COUPLER



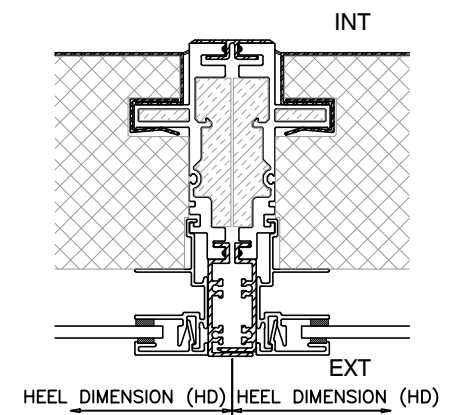
5 BACKPAN COUPLER



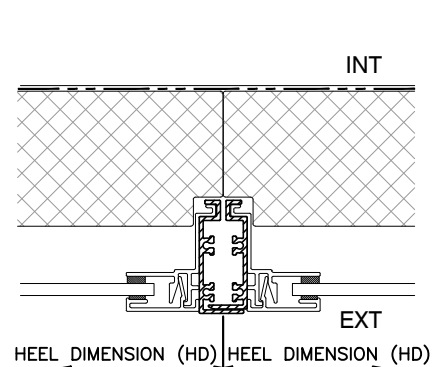
6 INSWING/INWARD SLIDER DOOR COUPLER



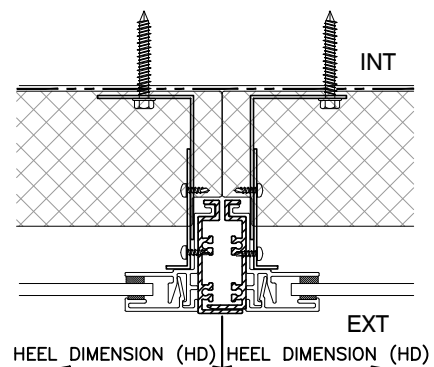
7 OUTSWING/OUTWARD SLIDER DOOR COUPLER



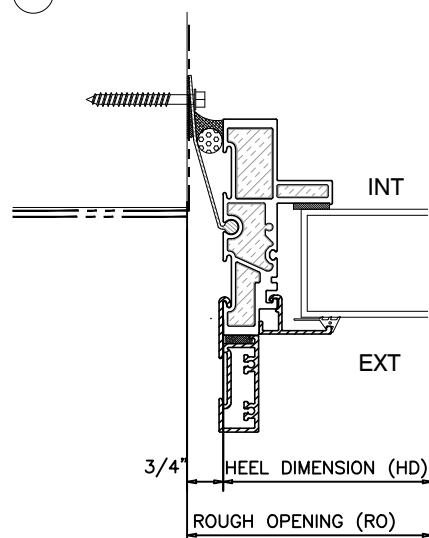
8 BACKPAN COUPLER



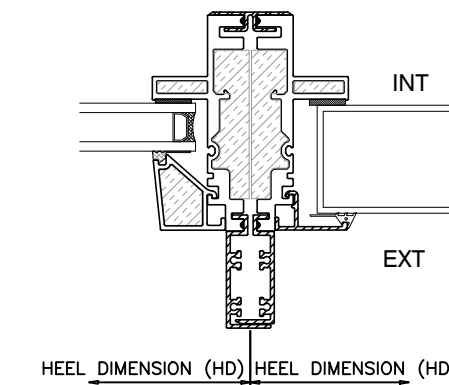
9 BYPASS COUPLER



10 PARAPET COUPLER



11 GRILLE JAMB



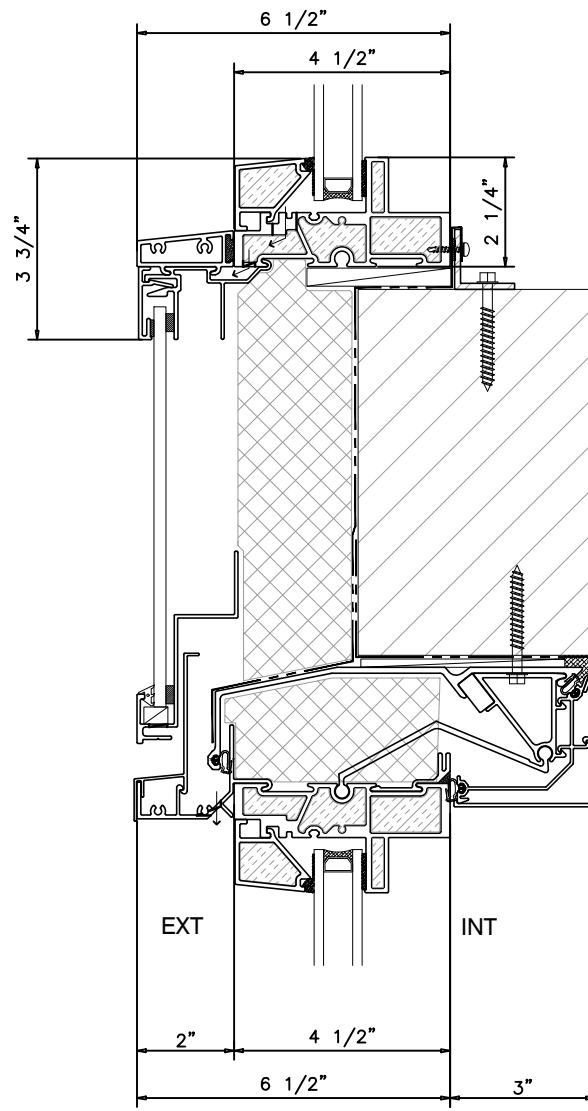
12 GRILLE COUPLER

PROJECT TITLE:
**UNIVERSAL
WINDOW
WALL**

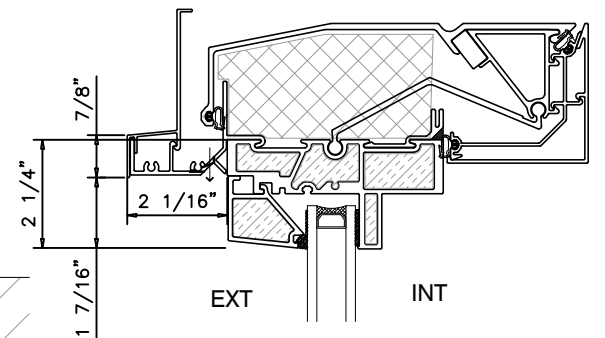
ISSUE	DESCRIPTION	DATE
1	DRAFT DRAWINGS	FEB.1/19
2	VERSION 2	APR.28/20
3	VERSION 3	AUG.06/23
4	VERSION 4	FEB.13/25

DRAWING
TITLE:
**WINDOW WALL
DETAILS**

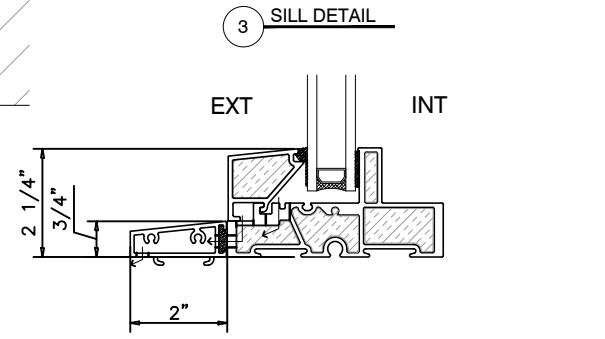
SCALE: N.T.S. DRAWING NO.:
DATE: FEB. 13, 2025
DRAWN BY: AP **WW15**
PROJECT #:



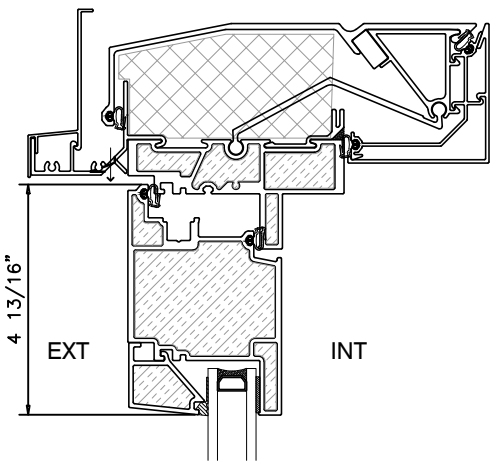
1 WW SLAB BYPASS



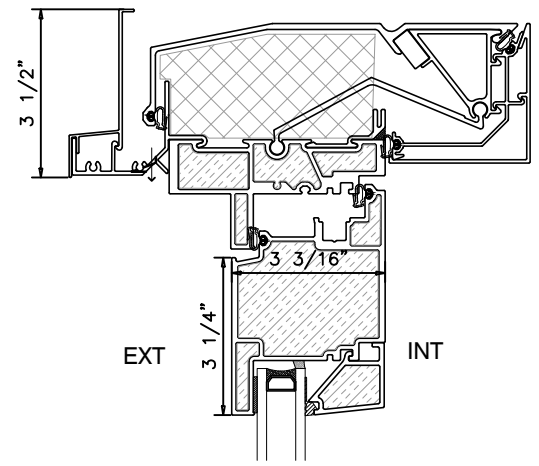
2 HEAD DETAIL



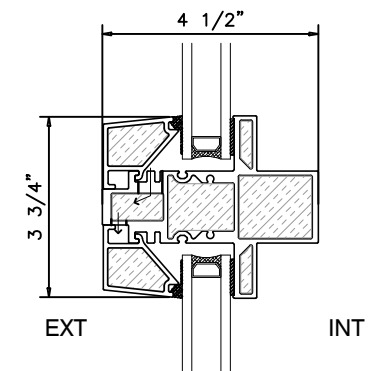
3 SILL DETAIL



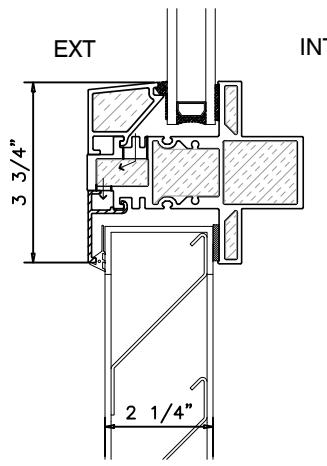
4 OUTSWING DOOR HEAD



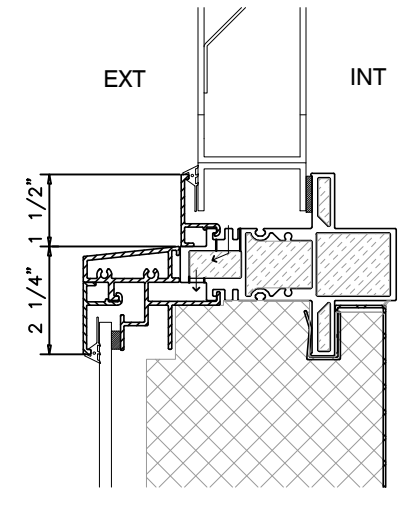
5 INSWING DOOR HEAD



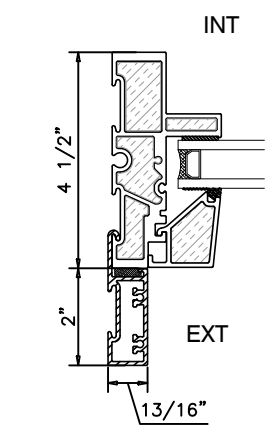
6 HORIZONTAL MULLION



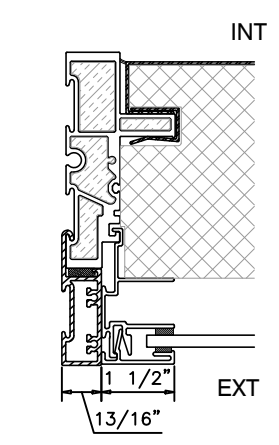
7 MULLION AT GRILLE



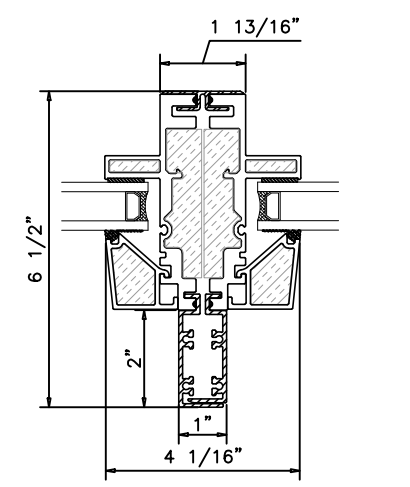
8 MULLION AT BACKPAN



9 WINDOW WALL JAMB



10 SPANDREL BACKPAN JAMB



11 TYP. WINDOW WALL COUPLER

PROJECT TITLE:
**UNIVERSAL
WINDOW
WALL**

ISSUE	DESCRIPTION	DATE
1	DRAFT DRAWINGS	FEB.1/19
2	VERSION 2	APR.28/20
3	VERSION 3	AUG.06/23
4	VERSION 4	FEB.13/25

DRAWING
TITLE:
**WINDOW WALL
DETAILS**

SCALE: N.T.S. DRAWING NO.:
DATE: FEB. 13, 2025
DRAWN BY: AP **WW16**
PROJECT #: