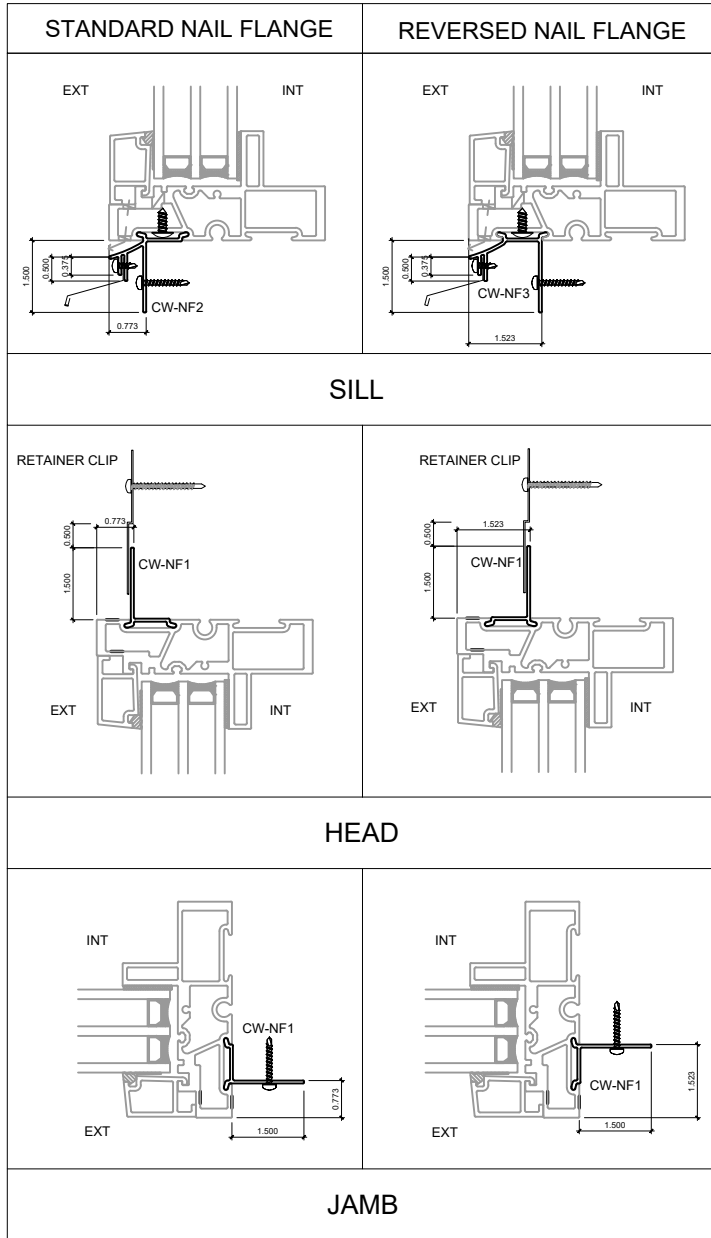
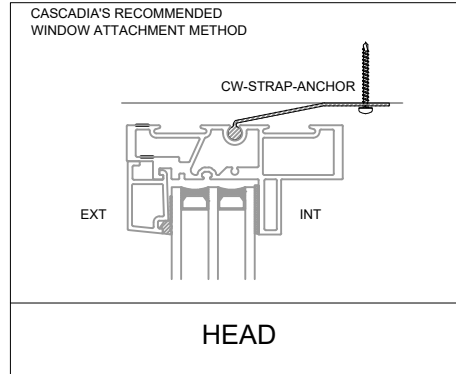


NAIL FLANGE

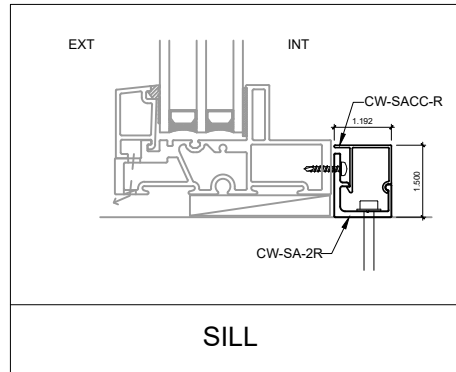


UNIVERSAL SERIES EXTERIOR GLAZED AND OUTSWING WINDOWS

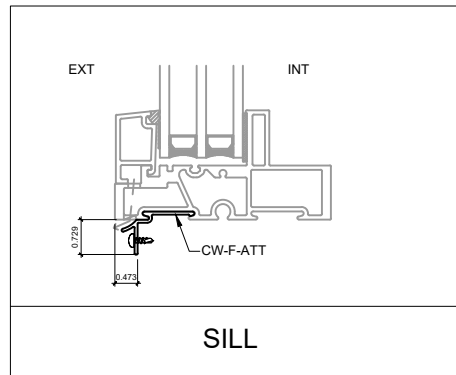
STRAP ANCHOR



SILL ANGLE AND COVER CAP



FLASHING ATTACHMENT ANGLE



NOTE: THIS DRAFT DETAIL IS FOR GENERAL ARRANGEMENT PURPOSES ONLY, AND DOES NOT NECESSARILY REPRESENT A DETAIL THAT IS APPROPRIATE FOR A SPECIFIC PROJECT. PRODUCTS AND ACCESSORIES PROVIDED BY CASCADIA MUST BE CONFIRMED FOR SPECIFIC PROJECTS.

CASCADIA WINDOWS LTD.
#101-5350 275TH STREET
LANGLEY, BC, CANADA V4W 0C1

DRAWING
TITLE:

UNIVERSAL SERIES ® ACCESSORIES
STRAP ANCHOR, NAIL FLANGE, FLASHING ATTACHMENT ANGLE,
SILL ANGLE AND COVER CAP

DRAWING NO.:

1.01

SCALE: 3" = 1'-0"

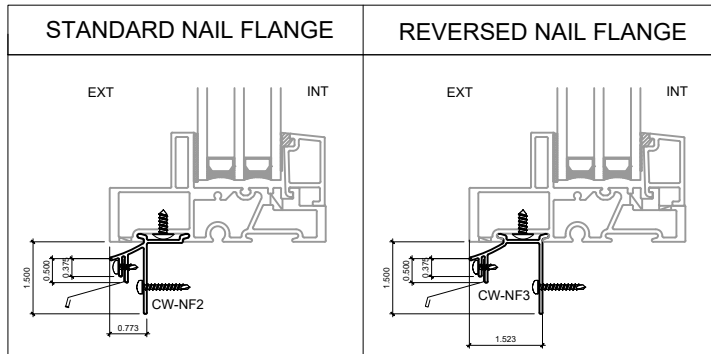
PATENTED

DATE: 15 AUGUST, 2023

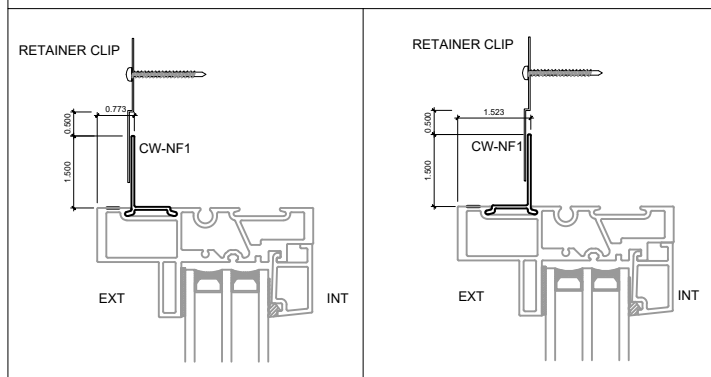
DRAWN BY:

YM

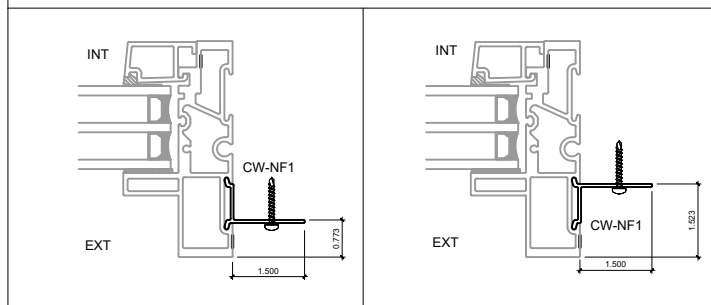
NAIL FLANGE



SILL

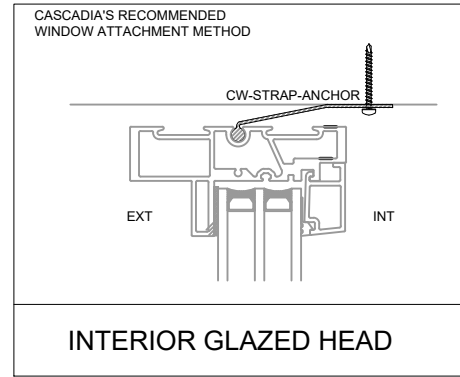


HEAD

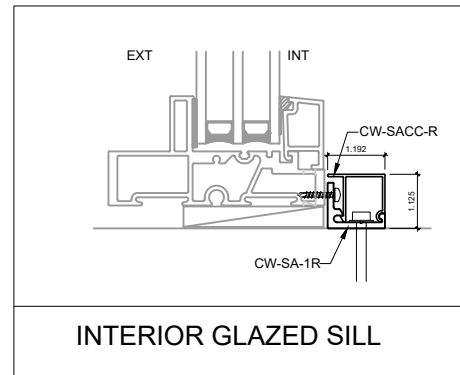


JAMB

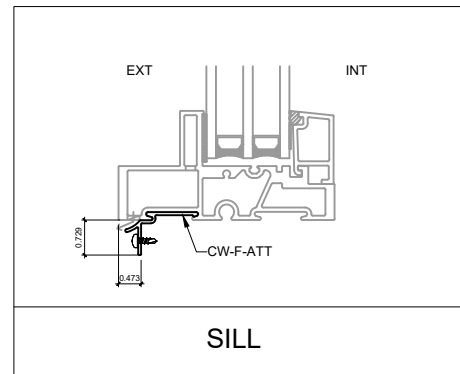
STRAP ANCHOR



SILL ANGLE AND COVER CAP



FLASHING ATTACHMENT ANGLE



UNIVERSAL SERIES INTERIOR GLAZED AND INSWING WINDOWS

NOTE: THIS DRAFT DETAIL IS FOR GENERAL ARRANGEMENT PURPOSES ONLY, AND DOES NOT NECESSARILY REPRESENT A DETAIL THAT IS APPROPRIATE FOR A SPECIFIC PROJECT. PRODUCTS AND ACCESSORIES PROVIDED BY CASCADIA MUST BE CONFIRMED FOR SPECIFIC PROJECTS.

CASCADIA WINDOWS LTD.
#101-5350 275TH STREET
LANGLEY, BC, CANADA V4W 0C1

DRAWING TITLE:

UNIVERSAL SERIES ® ACCESSORIES
STRAP ANCHOR, NAIL FLANGE, FLASHING ATTACHMENT ANGLE,
SILL ANGLE AND COVER CAP

DRAWING NO.:

1.02

SCALE: 3" = 1'-0"

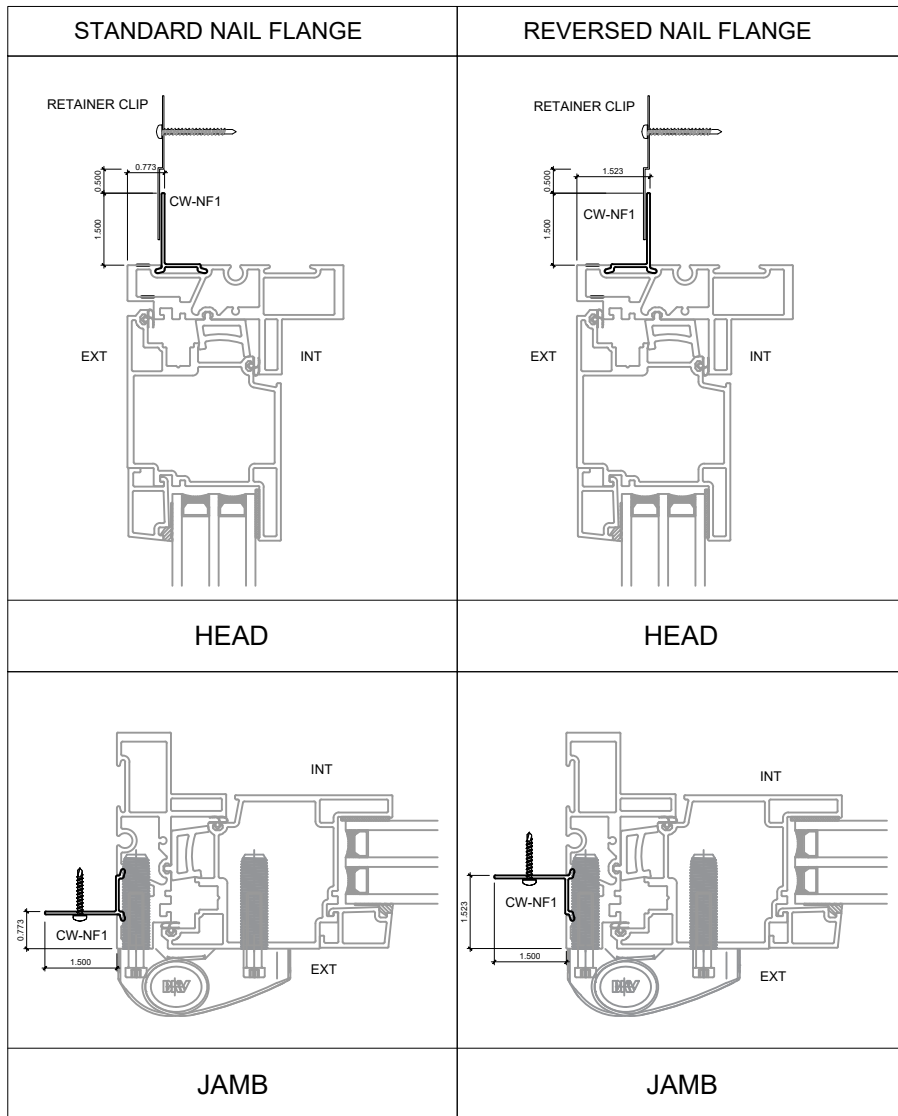
PATENTED

DATE: 15 AUGUST, 2023

DRAWN BY:

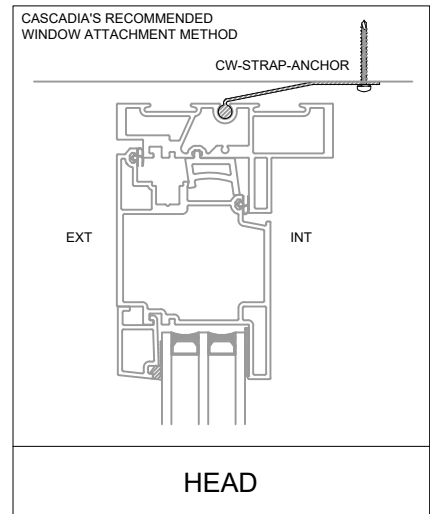
YM

NAIL FLANGE

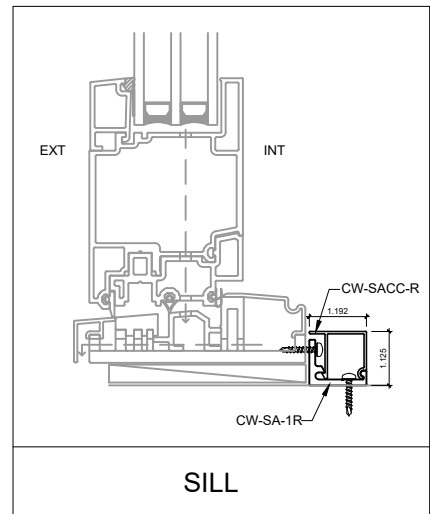


UNIVERSAL SERIES OUTSWING DOORS

STRAP ANCHOR



SILL ANGLE AND COVER CAP



FLASHING ATTACHMENT ANGLE & SILL NAIL FLANGE IS NOT AVAILABLE FOR UNIVERSAL DOORS

NOTE: THIS DRAFT DETAIL IS FOR GENERAL ARRANGEMENT PURPOSES ONLY, AND DOES NOT NECESSARILY REPRESENT A DETAIL THAT IS APPROPRIATE FOR A SPECIFIC PROJECT. PRODUCTS AND ACCESSORIES PROVIDED BY CASCADIA MUST BE CONFIRMED FOR SPECIFIC PROJECTS.

CASCADIA WINDOWS LTD.
#101-5350 275TH STREET
LANGLEY, BC, CANADA V4W 0C1

DRAWING TITLE:

UNIVERSAL SERIES ® ACCESSORIES
STRAP ANCHOR, NAIL FLANGE, SILL ANGLE AND COVER CAP

DRAWING NO.:

1.03

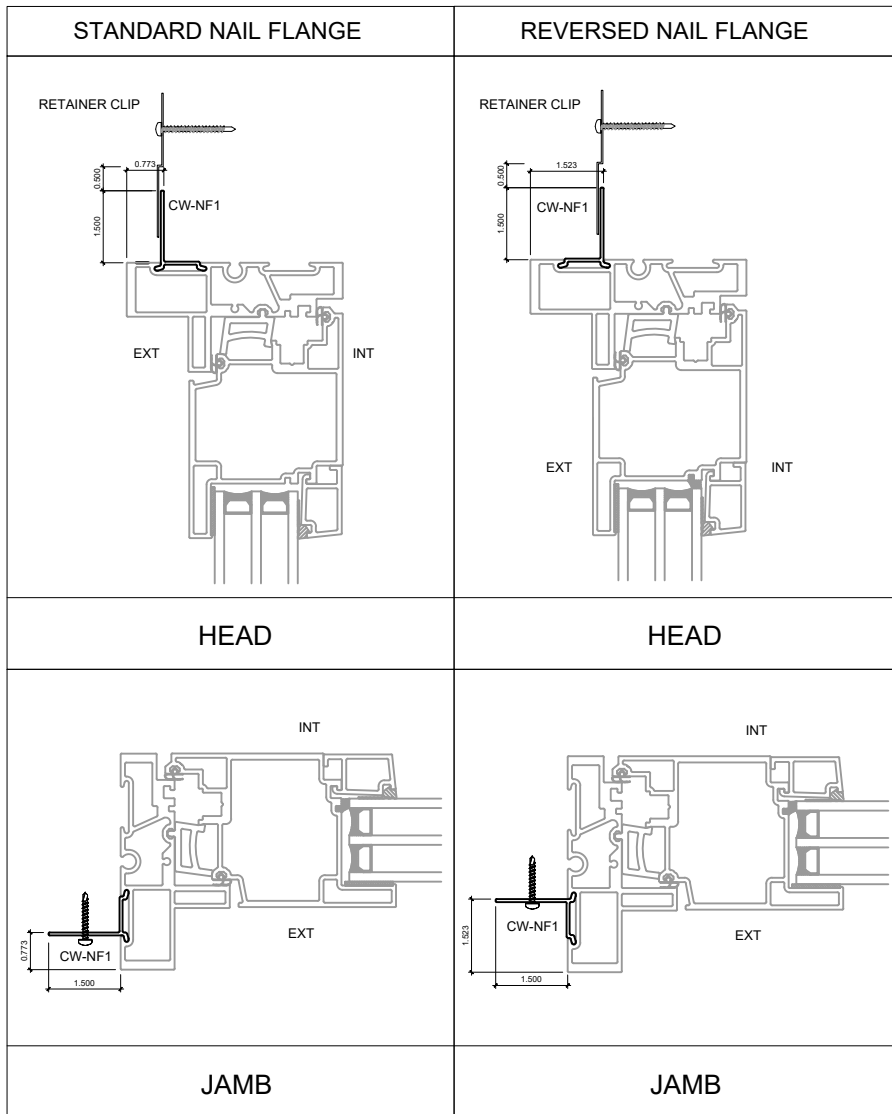
SCALE: 3" = 1'-0"

PATENTED

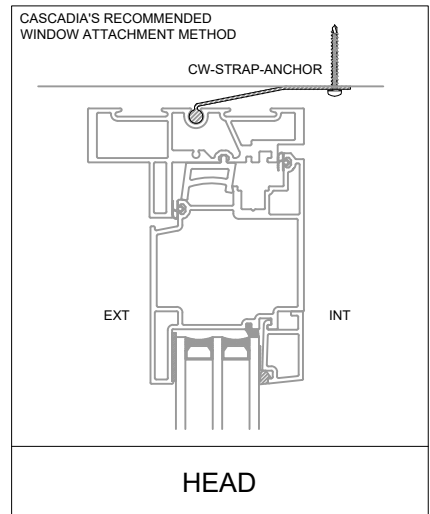
DATE: 15 AUGUST, 2023

DRAWN BY: YM

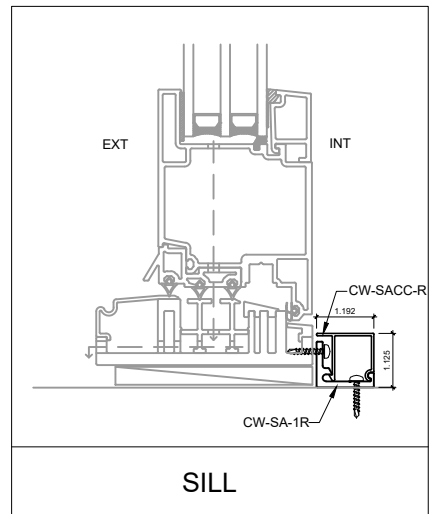
NAIL FLANGE



STRAP ANCHOR



SILL ANGLE AND COVER CAP



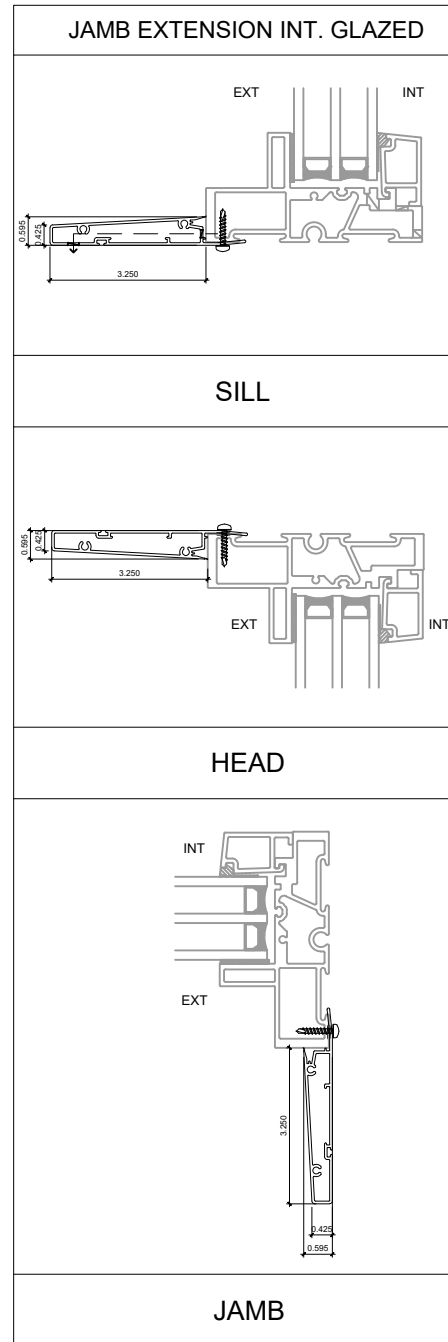
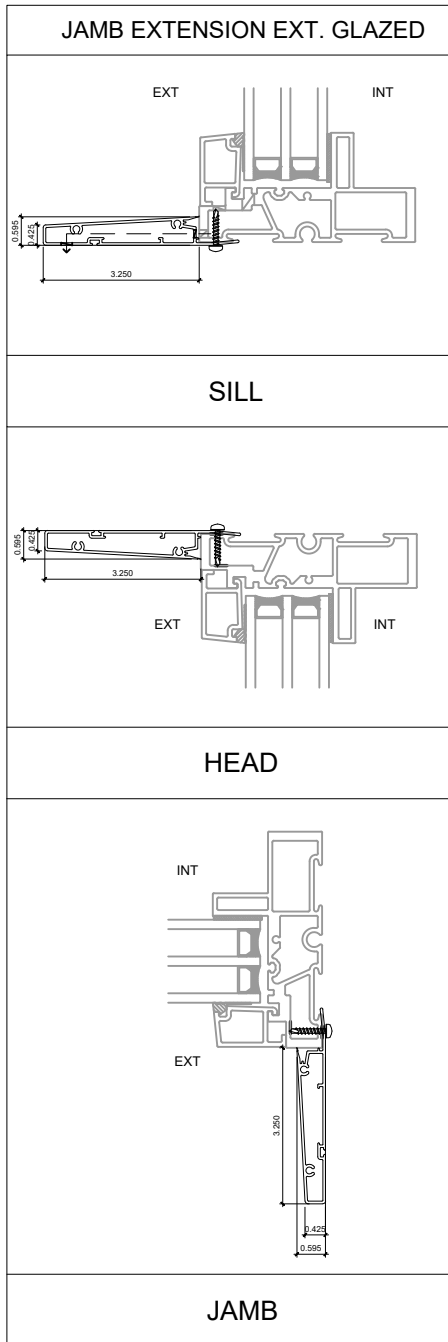
UNIVERSAL SERIES IN SWING DOORS

FLASHING ATTACHMENT ANGLE & SILL NAIL FLANGE IS NOT AVAILABLE FOR UNIVERSAL DOORS

NOTE: THIS DRAFT DETAIL IS FOR GENERAL ARRANGEMENT PURPOSES ONLY, AND DOES NOT NECESSARILY REPRESENT A DETAIL THAT IS APPROPRIATE FOR A SPECIFIC PROJECT. PRODUCTS AND ACCESSORIES PROVIDED BY CASCADIA MUST BE CONFIRMED FOR SPECIFIC PROJECTS.

CASCADIA WINDOWS LTD. #101-5350 275TH STREET LANGLEY, BC, CANADA V4W 0C1	DRAWING TITLE: UNIVERSAL SERIES © ACCESSORIES STRAP ANCHOR, NAIL FLANGE, SILL ANGLE AND COVER CAP	DRAWING NO.: 1.04
	SCALE: 3" = 1'-0"	PATENTED
		DRAWN BY: YM

UNIVERSAL SERIES EXTERIOR AND INTERIOR GLAZED WINDOWS 3 1/4" JAMB EXTENSION



NOTE: THIS DRAFT DETAIL IS FOR GENERAL ARRANGEMENT PURPOSES ONLY, AND DOES NOT NECESSARILY REPRESENT A DETAIL THAT IS APPROPRIATE FOR A SPECIFIC PROJECT. PRODUCTS AND ACCESSORIES PROVIDED BY CASCADIA MUST BE CONFIRMED FOR SPECIFIC PROJECTS.

CASCADIA WINDOWS LTD.
#101-5350 275TH STREET
LANGLEY, BC, CANADA V4W 0C1

DRAWING
TITLE:

UNIVERSAL SERIES © ACCESSORIES
JAMB EXTENSIONS

DRAWING NO.:

1.05

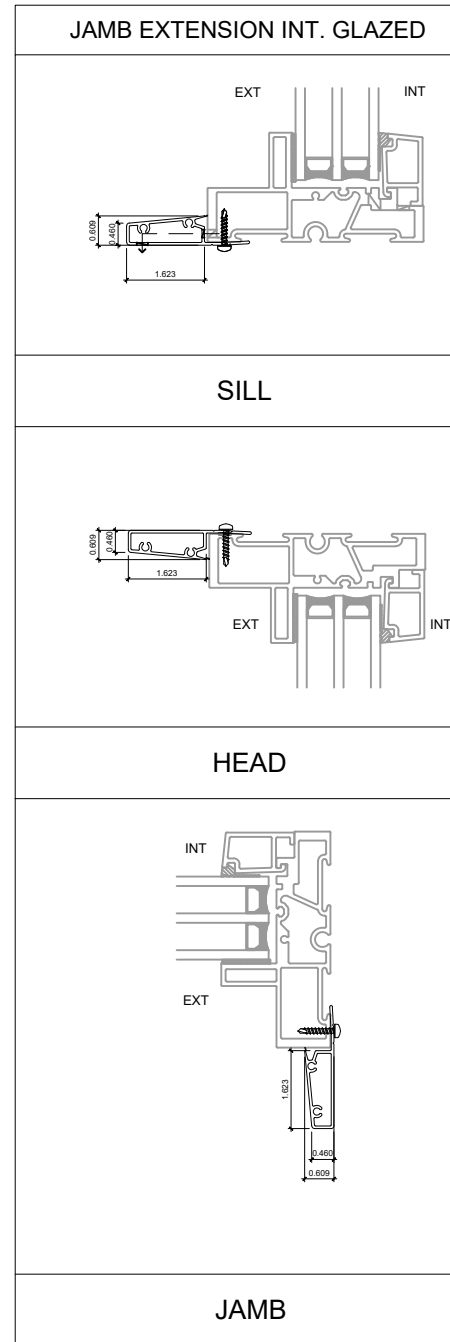
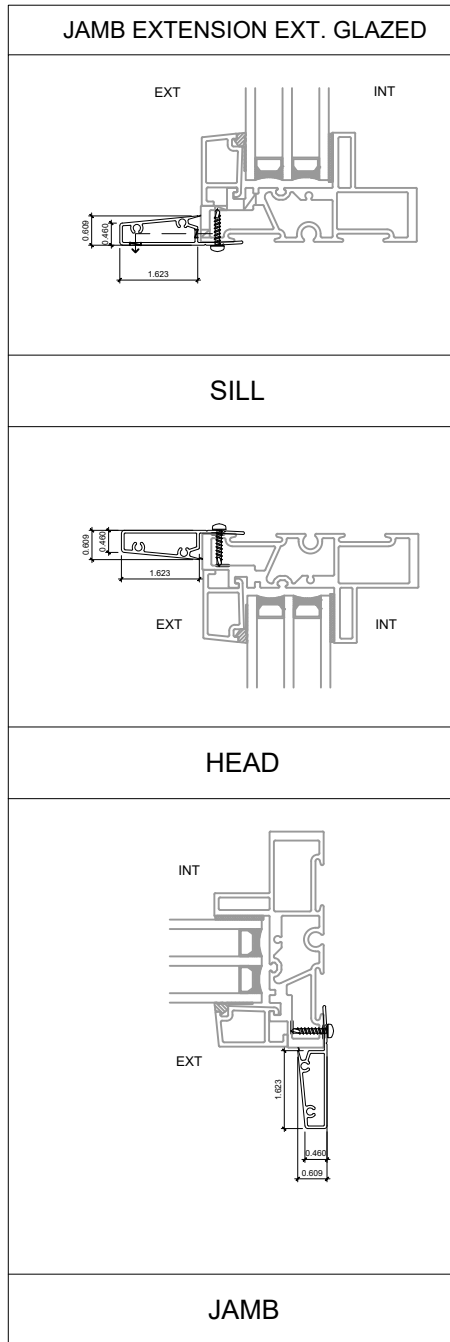
SCALE: 3" = 1'-0"

PATENTED

DATE: 15 AUGUST, 2023

DRAWN BY: YM

UNIVERSAL SERIES EXTERIOR AND INTERIOR GLAZED WINDOWS 1 5/8" JAMB EXTENSION



NOTE: THIS DRAFT DETAIL IS FOR GENERAL ARRANGEMENT PURPOSES ONLY, AND DOES NOT NECESSARILY REPRESENT A DETAIL THAT IS APPROPRIATE FOR A SPECIFIC PROJECT. PRODUCTS AND ACCESSORIES PROVIDED BY CASCADIA MUST BE CONFIRMED FOR SPECIFIC PROJECTS.

CASCADIA WINDOWS LTD.
#101-5350 275TH STREET
LANGLEY, BC, CANADA V4W 0C1

DRAWING
TITLE:

UNIVERSAL SERIES © ACCESSORIES
JAMB EXTENSIONS

DRAWING NO.:

1.06

SCALE: 3" = 1'-0"

PATENTED

DATE: 15 AUGUST, 2023

DRAWN BY: YM