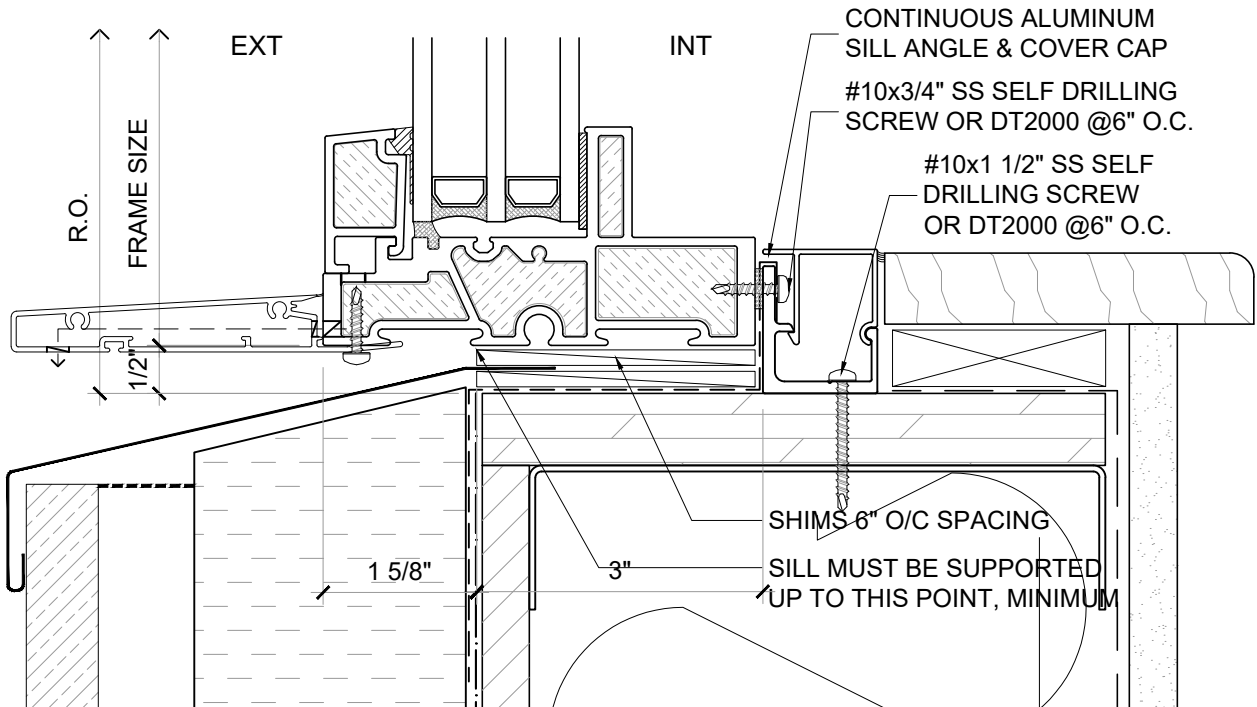
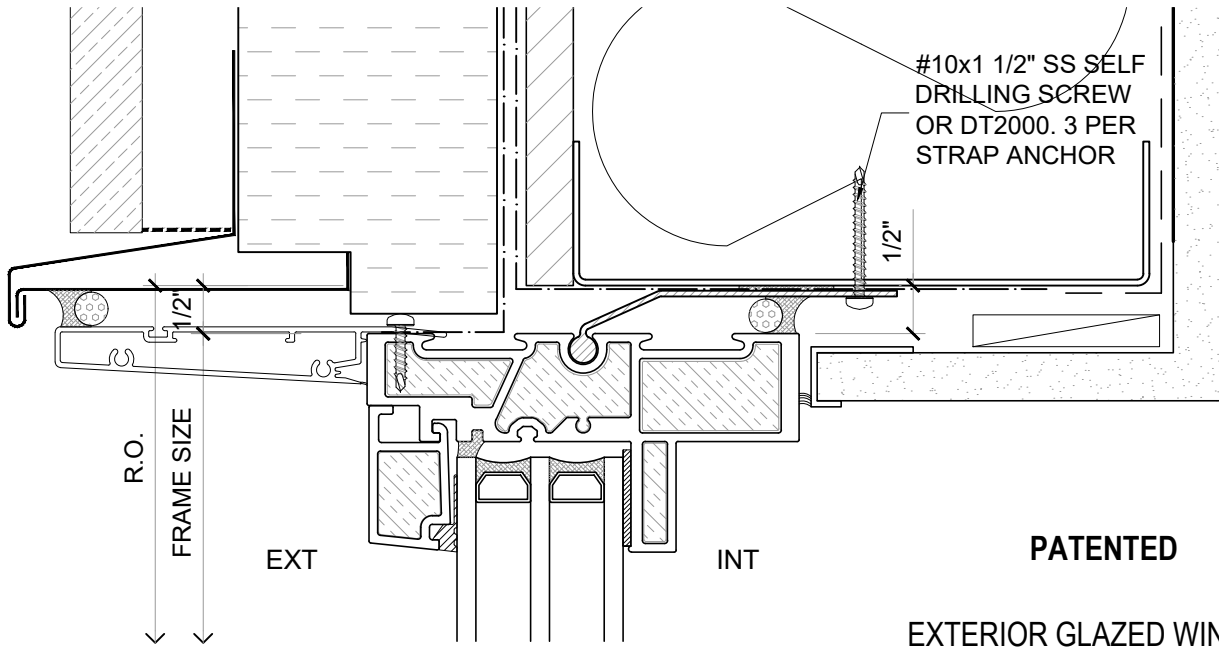


NEW: ENVIRONMENTAL PRODUCT DECLARATIONS (EPDs) NOW AVAILABLE



NOTE: THIS DRAFT DETAIL IS FOR GENERAL ARRANGEMENT PURPOSES ONLY, AND DOES NOT NECESSARILY REPRESENT A DETAIL THAT IS APPROPRIATE FOR A SPECIFIC PROJECT. PRODUCTS AND ACCESSORIES PROVIDED BY CASCADIA MUST BE CONFIRMED FOR SPECIFIC PROJECTS.

NOTE: ANCHOR CLIPS AT HEAD AND JAMBS ARE INTERMITTENT

CASCADIA WINDOWS LTD.
#101-5350 275TH STREET
LANGLEY, BC, CANADA V4W 0C1

DRAWING TITLE: **UNIVERSAL SERIES D - 3 1/4" J.E. HEAD & SILL**
RAINSREEN WALL ASSEMBLY, EXT. INSULATION, JAMB EXTENSIONS

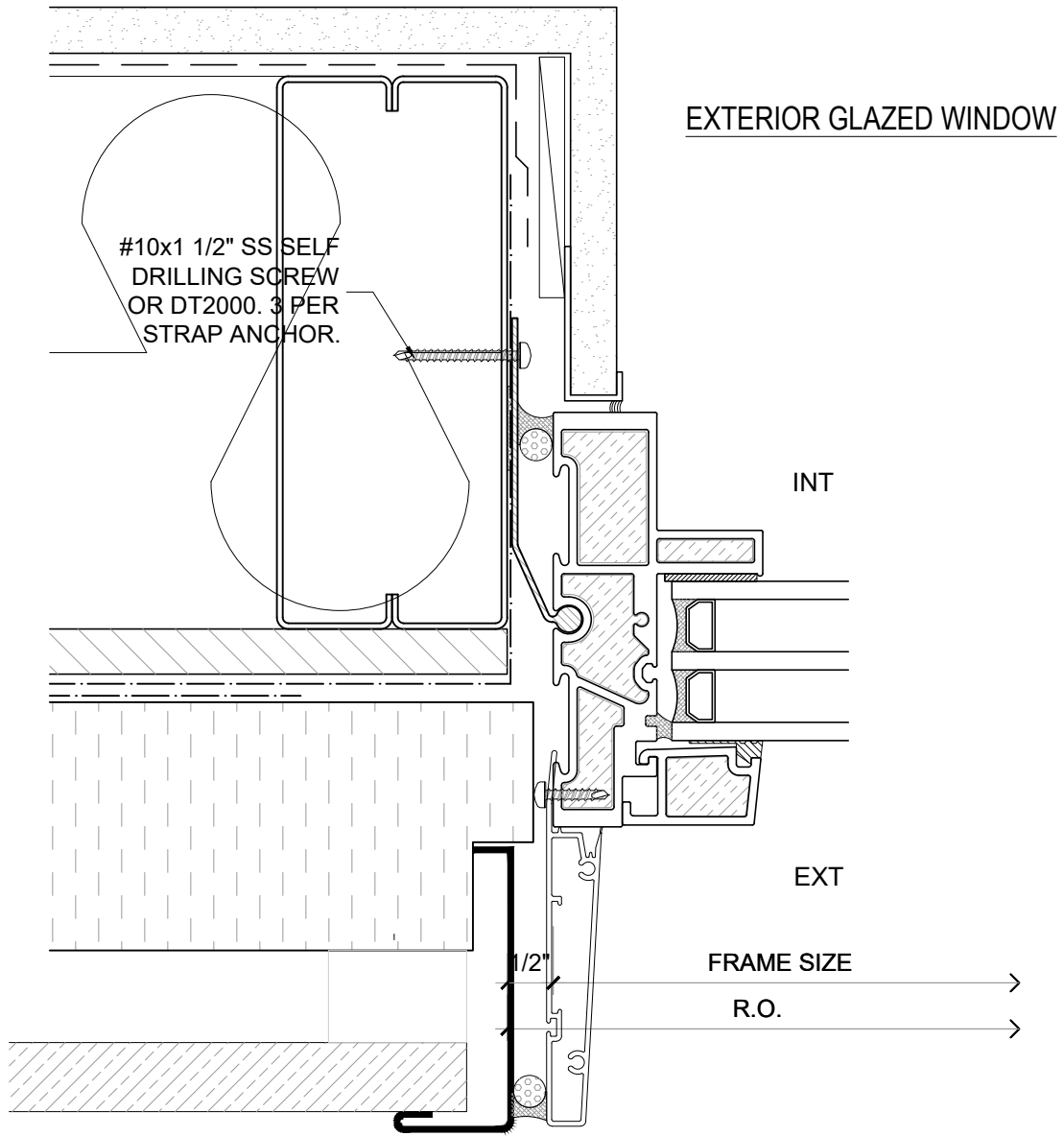
DRAWING NO.:
W-JE1.01

SCALE: 6" = 1'-0"

PATENTED

DATE: 11 JANUARY 2019

DRAWN BY: CP



NOTE: THIS DRAFT DETAIL IS FOR GENERAL ARRANGEMENT PURPOSES ONLY, AND DOES NOT NECESSARILY REPRESENT A DETAIL THAT IS APPROPRIATE FOR A SPECIFIC PROJECT. PRODUCTS AND ACCESSORIES PROVIDED BY CASCADIA MUST BE CONFIRMED FOR SPECIFIC PROJECTS.

NOTE: ANCHOR CLIPS AT HEAD AND JAMBS ARE INTERMITTENT

CASCADIA WINDOWS LTD.
 #101-5350 275TH STREET
 LANGLEY, BC, CANADA V4W 0C1

DRAWING TITLE: **UNIVERSAL SERIES © - 3 1/4" J.E. JAMB**
 RAINSCREEN WALL ASSEMBLY, EXT. INSULATION, JAMB EXTENSIONS

DRAWING NO.: **W-JE1.02**

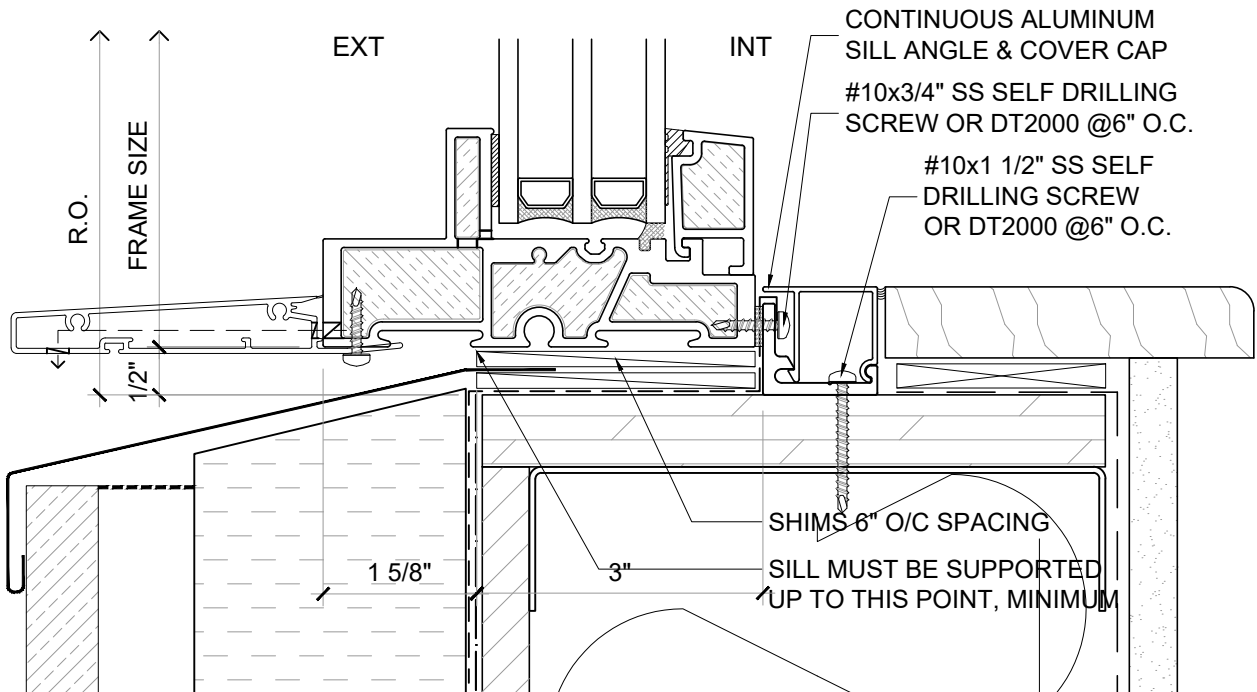
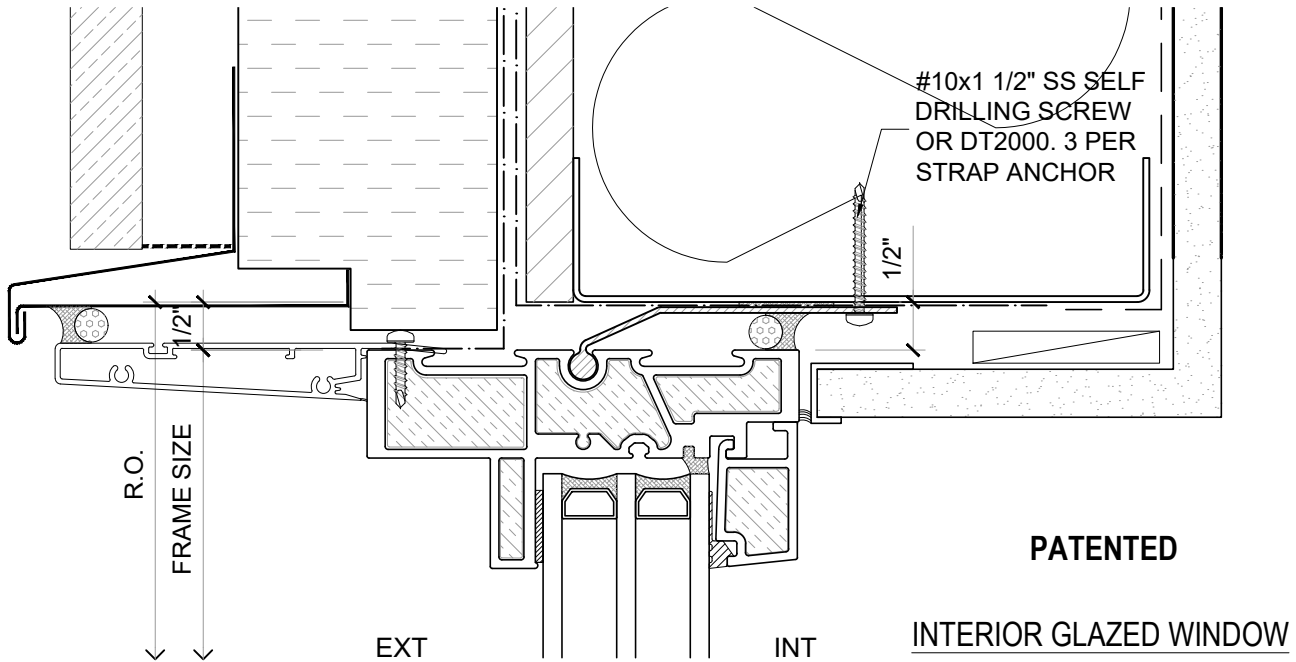
SCALE: 6" = 1'-0"

PATENTED

DATE: 11 JANUARY 2019

DRAWN BY: CP

NEW: ENVIRONMENTAL PRODUCT DECLARATIONS (EPDs) NOW AVAILABLE



NOTE: THIS DRAFT DETAIL IS FOR GENERAL ARRANGEMENT PURPOSES ONLY, AND DOES NOT NECESSARILY REPRESENT A DETAIL THAT IS APPROPRIATE FOR A SPECIFIC PROJECT. PRODUCTS AND ACCESSORIES PROVIDED BY CASCADIA MUST BE CONFIRMED FOR SPECIFIC PROJECTS.

NOTE: ANCHOR CLIPS AT HEAD AND JAMBS ARE INTERMITTENT

CASCADIA WINDOWS LTD.
#101-5350 275TH STREET
LANGLEY, BC, CANADA V4W 0C1

DRAWING TITLE: **UNIVERSAL SERIES D - 3 $\frac{1}{4}$ " J.E. HEAD & SILL**
RAINSCREEN WALL ASSEMBLY, EXT. INSULATION, JAMB EXTENSIONS

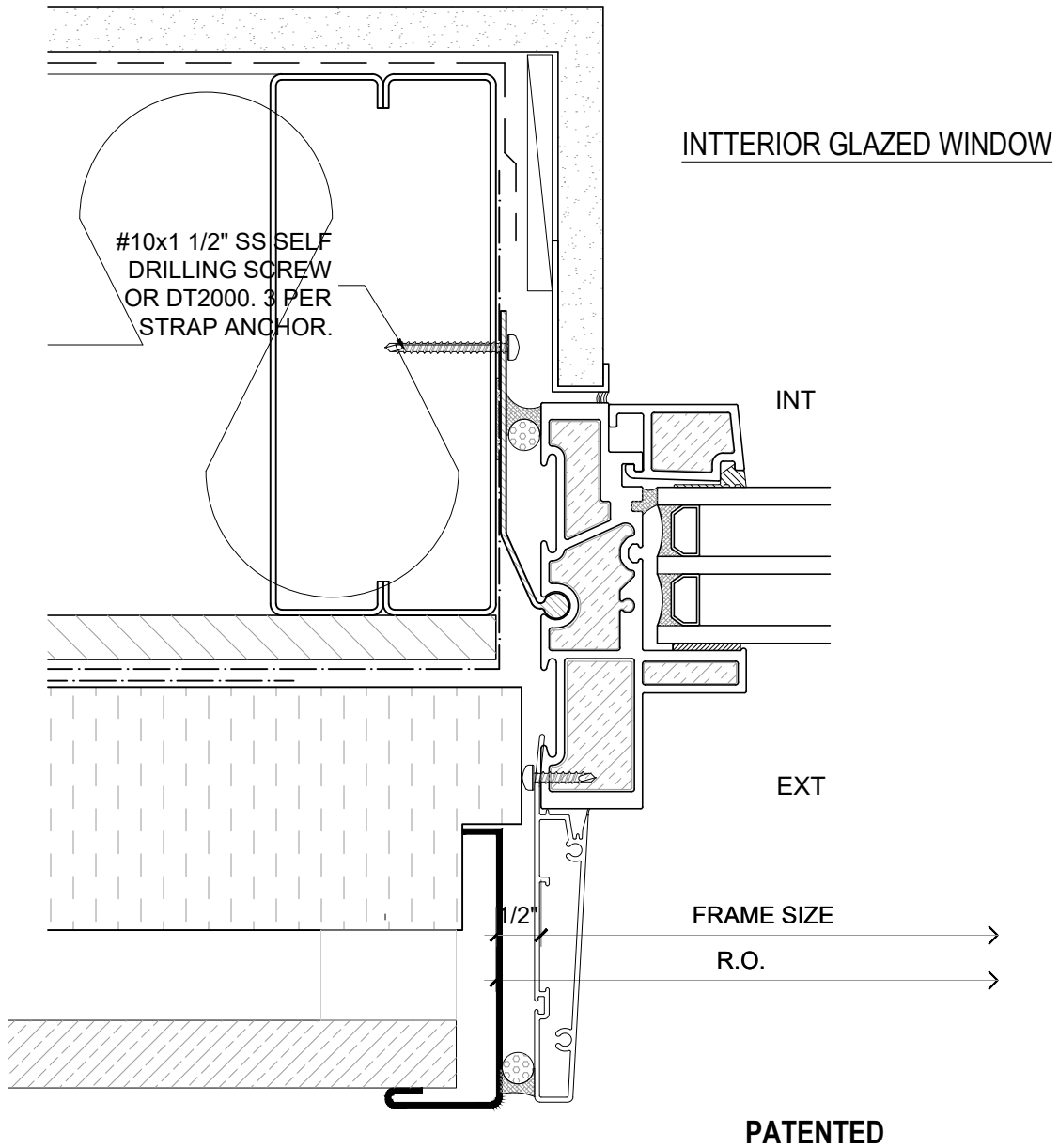
DRAWING NO.:
W-JE1.03

SCALE: 6" = 1'-0"

PATENTED

DATE: 11 JANUARY 2019

DRAWN BY: CP



NOTE: THIS DRAFT DETAIL IS FOR GENERAL ARRANGEMENT PURPOSES ONLY, AND DOES NOT NECESSARILY REPRESENT A DETAIL THAT IS APPROPRIATE FOR A SPECIFIC PROJECT. PRODUCTS AND ACCESSORIES PROVIDED BY CASCADIA MUST BE CONFIRMED FOR SPECIFIC PROJECTS.

NOTE: ANCHOR CLIPS AT HEAD AND JAMBS ARE INTERMITTENT

CASCADIA WINDOWS LTD.
 #101-5350 275TH STREET
 LANGLEY, BC, CANADA V4W 0C1

DRAWING TITLE: **UNIVERSAL SERIES © - 3 1/4" J.E. JAMB**
RAINSCREEN WALL ASSEMBLY, EXT. INSULATION, JAMB EXTENSIONS

DRAWING NO.: **W-JE1.04**

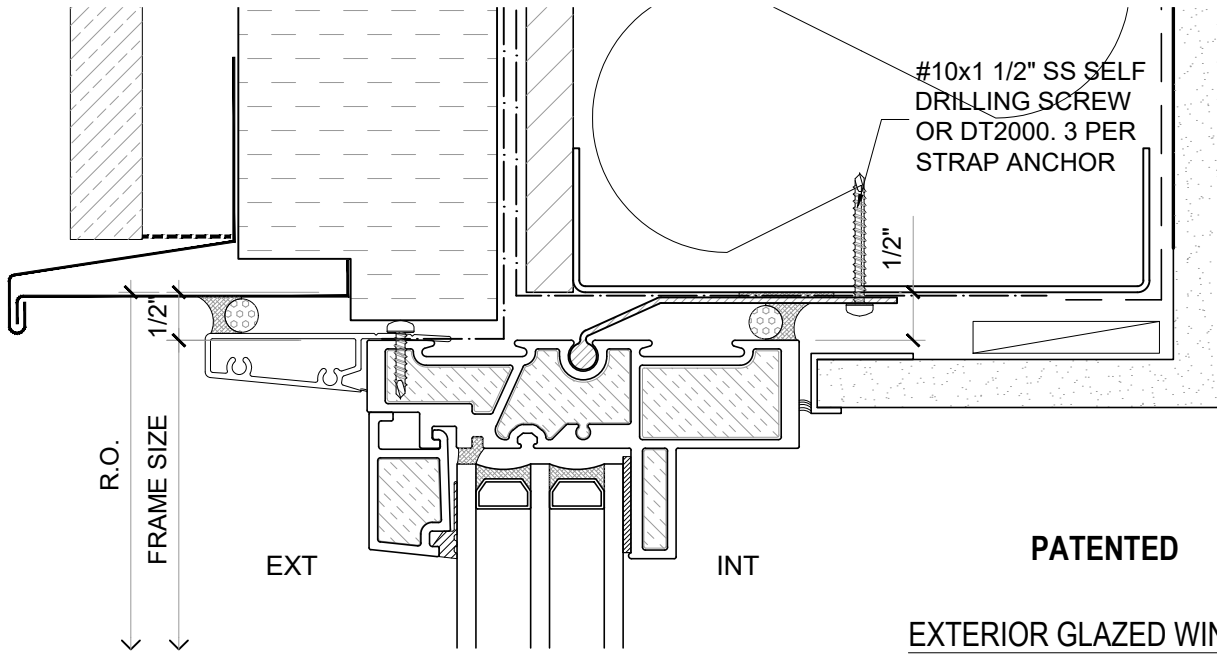
SCALE: 6" = 1'-0"

PATENTED

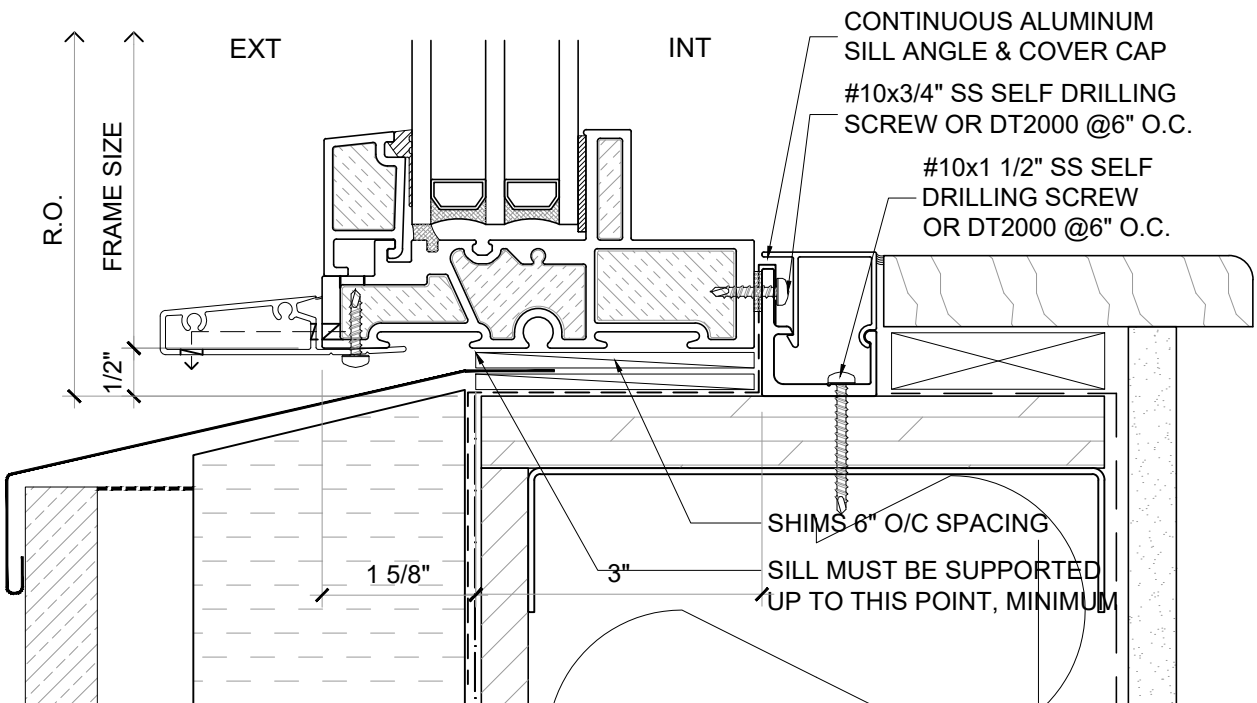
DATE: 11 JANUARY 2019

DRAWN BY: CP

NEW: ENVIRONMENTAL PRODUCT DECLARATIONS (EPDs) NOW AVAILABLE



PATENTED
EXTERIOR GLAZED WINDOW



NOTE: THIS DRAFT DETAIL IS FOR GENERAL ARRANGEMENT PURPOSES ONLY, AND DOES NOT NECESSARILY REPRESENT A DETAIL THAT IS APPROPRIATE FOR A SPECIFIC PROJECT. PRODUCTS AND ACCESSORIES PROVIDED BY CASCADIA MUST BE CONFIRMED FOR SPECIFIC PROJECTS.

NOTE: ANCHOR CLIPS AT HEAD AND JAMBS ARE INTERMITTENT

CASCADIA WINDOWS LTD.
#101-5350 275TH STREET
LANGLEY, BC, CANADA V4W 0C1

DRAWING TITLE: **UNIVERSAL SERIES D - 1 $\frac{5}{8}$ " J.E. HEAD & SILL**
RAINSREEN WALL ASSEMBLY, EXT. INSULATION, JAMB EXTENSIONS

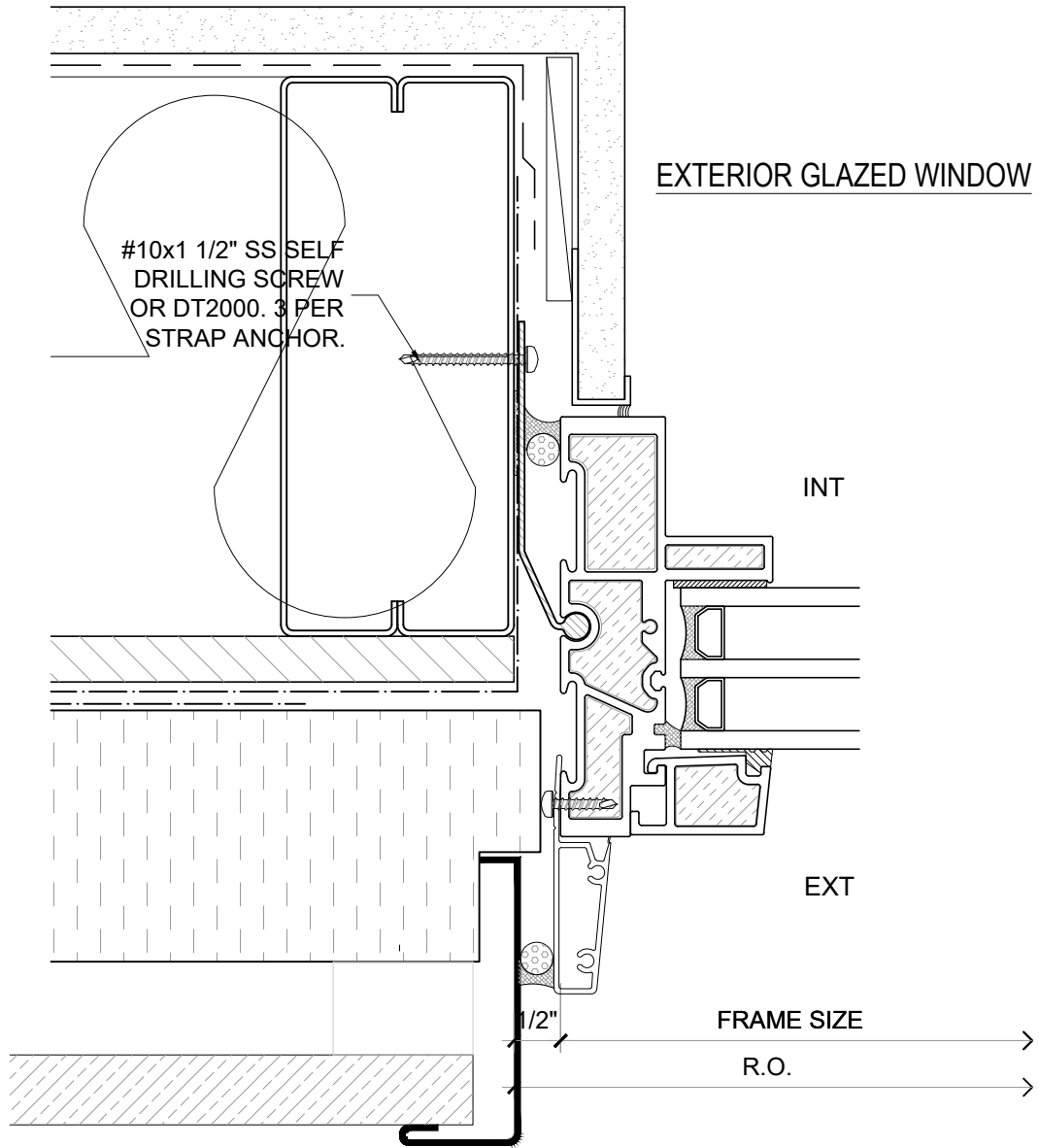
DRAWING NO.:
W-JE1.05

SCALE: 6" = 1'-0"

PATENTED

DATE: 11 JANUARY 2019

DRAWN BY: CP



PATENTED

NOTE: THIS DRAFT DETAIL IS FOR GENERAL ARRANGEMENT PURPOSES ONLY, AND DOES NOT NECESSARILY REPRESENT A DETAIL THAT IS APPROPRIATE FOR A SPECIFIC PROJECT. PRODUCTS AND ACCESSORIES PROVIDED BY CASCADIA MUST BE CONFIRMED FOR SPECIFIC PROJECTS.

NOTE: ANCHOR CLIPS AT HEAD AND JAMBS ARE INTERMITTENT

CASCADIA WINDOWS LTD.
#101-5350 275TH STREET
LANGLEY, BC, CANADA V4W 0C1

DRAWING TITLE: UNIVERSAL SERIES D - $1\frac{5}{8}$ " J.E. JAMB
RAINSCREEN WALL ASSEMBLY, EXT. INSULATION, JAMB EXTENSIONS

DRAWING NO.:
W-JE1.06

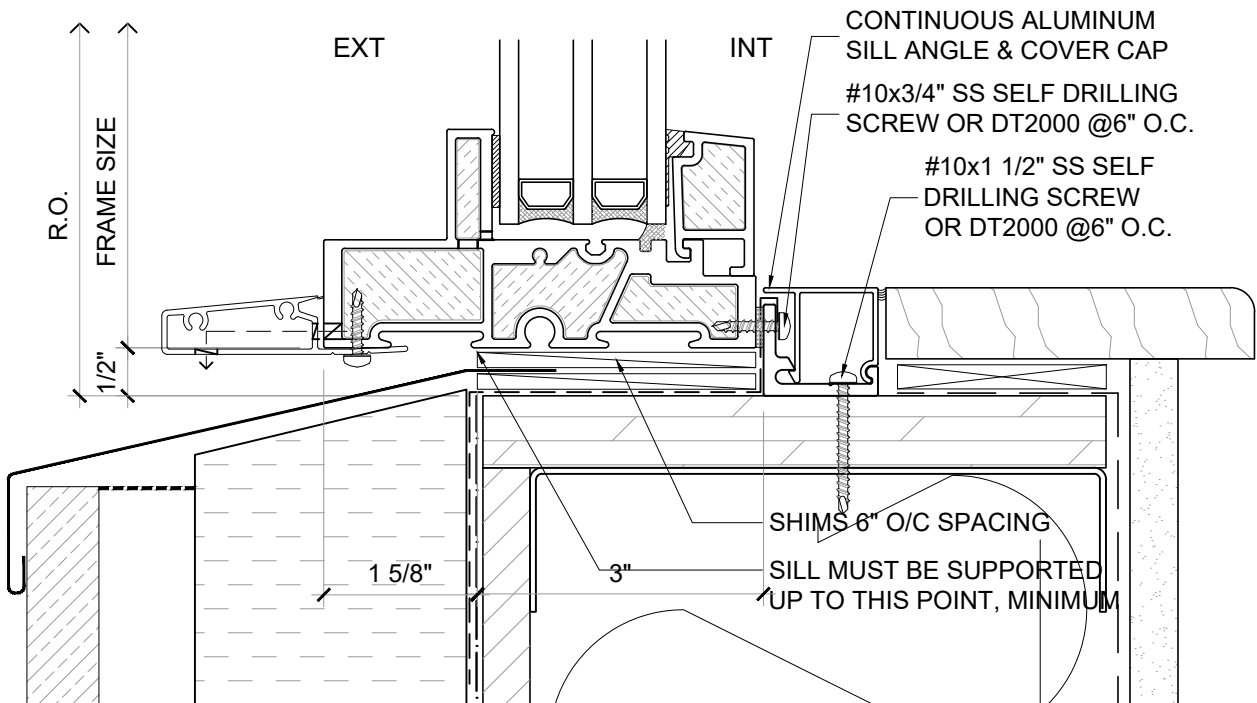
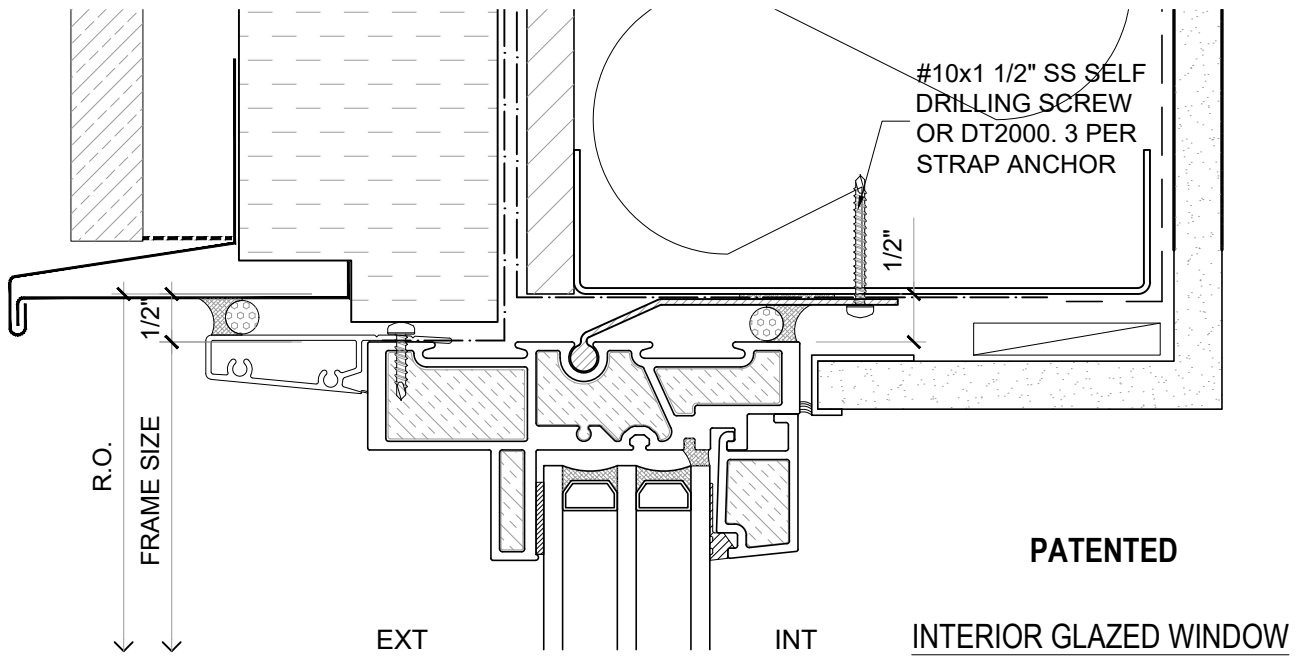
SCALE: 6" = 1'-0"

PATENTED

DATE: 11 JANUARY 2019

DRAWN BY: CP

NEW: ENVIRONMENTAL PRODUCT DECLARATIONS (EPDs) NOW AVAILABLE



NOTE: THIS DRAFT DETAIL IS FOR GENERAL ARRANGEMENT PURPOSES ONLY, AND DOES NOT NECESSARILY REPRESENT A DETAIL THAT IS APPROPRIATE FOR A SPECIFIC PROJECT. PRODUCTS AND ACCESSORIES PROVIDED BY CASCADIA MUST BE CONFIRMED FOR SPECIFIC PROJECTS.

NOTE: ANCHOR CLIPS AT HEAD AND JAMBS ARE INTERMITTENT

CASCADIA WINDOWS LTD.
#101-5350 275TH STREET
LANGLEY, BC, CANADA V4W 0C1

DRAWING TITLE: UNIVERSAL SERIES D - 1 $\frac{5}{8}$ " J.E. HEAD & SILL
RAINSCREEN WALL ASSEMBLY, EXT. INSULATION, JAMB EXTENSIONS

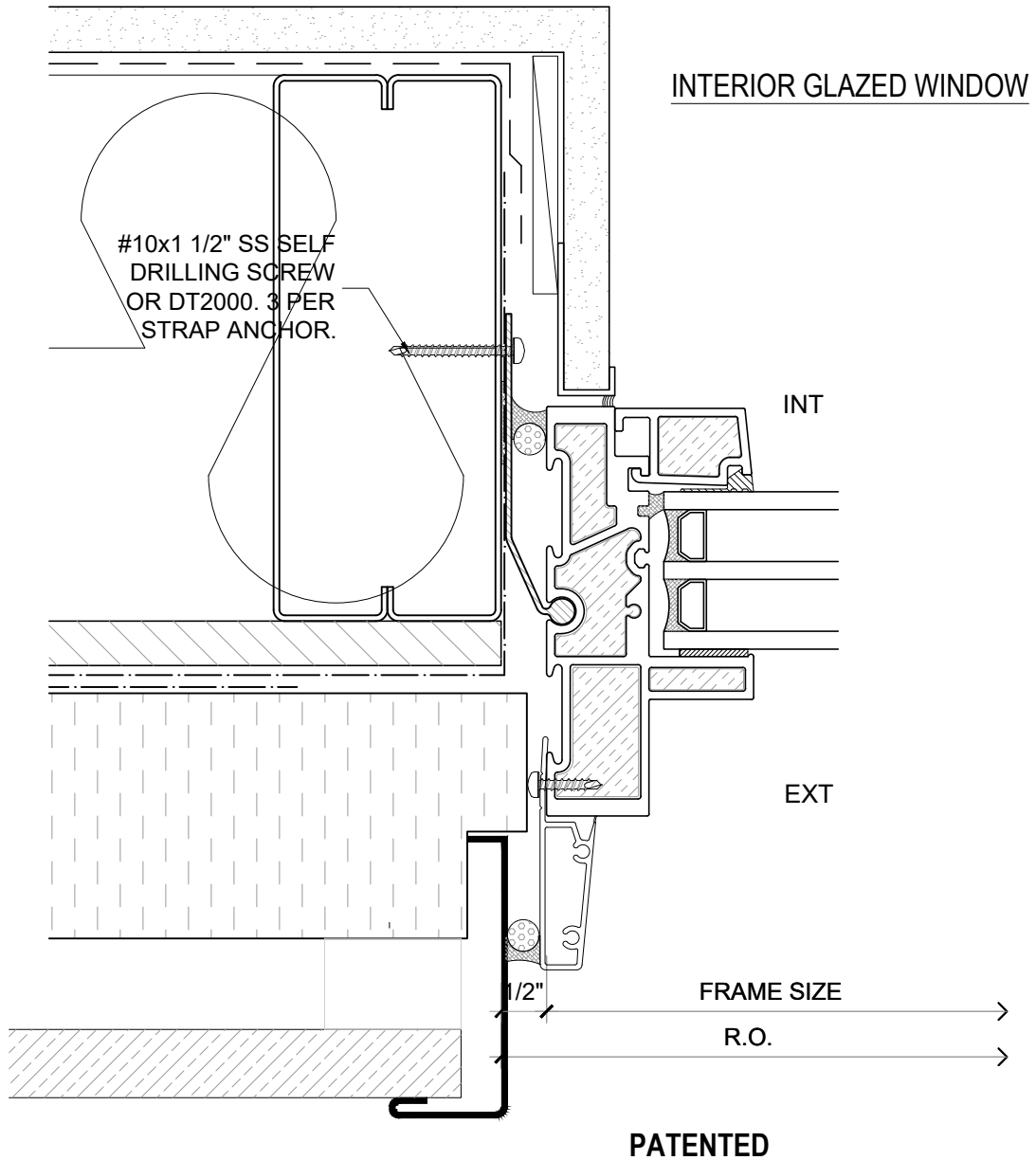
DRAWING NO.:
W-JE1.07

SCALE: 6" = 1'-0"

PATENTED

DATE: 11 JANUARY 2019

DRAWN BY: CP



NOTE: THIS DRAFT DETAIL IS FOR GENERAL ARRANGEMENT PURPOSES ONLY, AND DOES NOT NECESSARILY REPRESENT A DETAIL THAT IS APPROPRIATE FOR A SPECIFIC PROJECT. PRODUCTS AND ACCESSORIES PROVIDED BY CASCADIA MUST BE CONFIRMED FOR SPECIFIC PROJECTS.

NOTE: ANCHOR CLIPS AT HEAD AND JAMBS ARE INTERMITTENT

CASCADIA WINDOWS LTD.
 #101-5350 275TH STREET
 LANGLEY, BC, CANADA V4W 0C1

DRAWING TITLE: **UNIVERSAL SERIES $\text{\textcircled{D}}$ - 1 $\frac{5}{8}$ " J.E. JAMB**
RAINSCREEN WALL ASSEMBLY, EXT. INSULATION, JAMB EXTENSIONS

DRAWING NO.: **W-JE1.08**

SCALE: 6" = 1'-0"

PATENTED

DATE: 11 JANUARY 2019

DRAWN BY: CP