

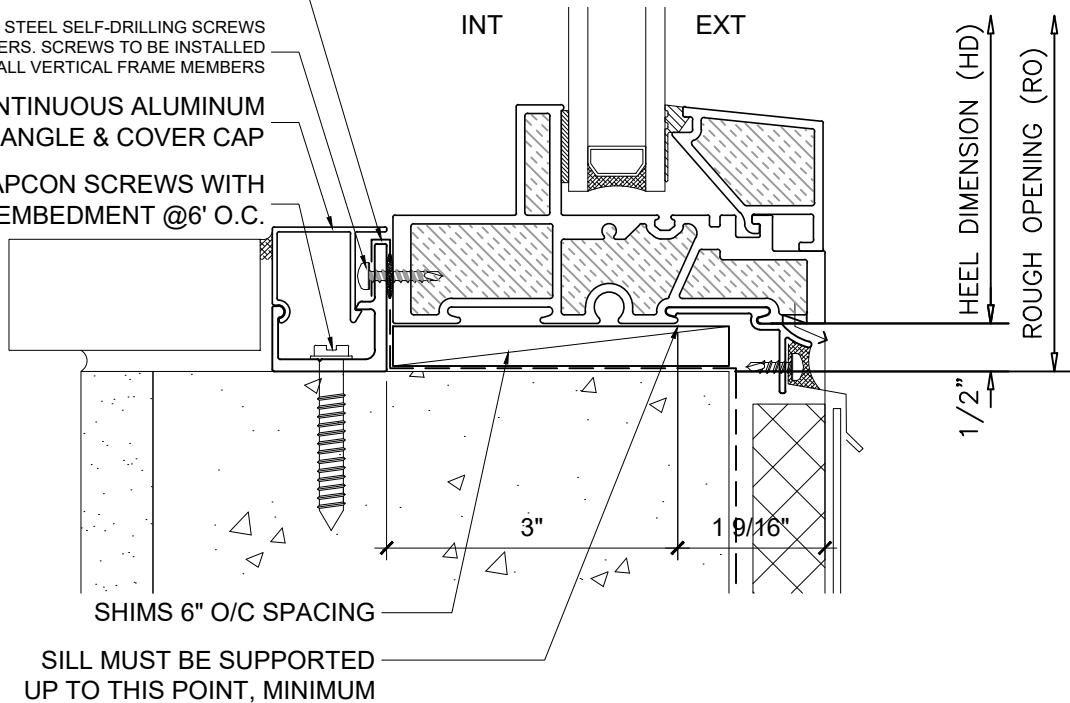
**PATENTED**

NOTE: WRAPPING MEMBER OVER INTERIOR SIDE OF SILL ANGLE LEG IS A RECOMMENDATION FOR COSMETIC REASONS ONLY. CUT EDGE OF MEMBRANE CAN REACT WITH SEALANT AT INTERIOR FINISHES

#10x3/4" STAINLESS STEEL SELF-DRILLING SCREWS @6" O.C. U.N.O. BY OTHERS. SCREWS TO BE INSTALLED 3" AWAY FROM ALL VERTICAL FRAME MEMBERS

CONTINUOUS ALUMINUM SILL ANGLE & COVER CAP

1/4" DIA. TAPCON SCREWS WITH 1 1/2" EMBEDMENT @6" O.C.



SILL MUST BE SUPPORTED UP TO THIS POINT, MINIMUM

NOTE: THIS DRAFT DETAIL IS FOR GENERAL ARRANGEMENT PURPOSES ONLY, AND DOES NOT NECESSARILY REPRESENT A DETAIL THAT IS APPROPRIATE FOR A SPECIFIC PROJECT. PRODUCTS AND ACCESSORIES PROVIDED BY CASCADIA MUST BE CONFIRMED FOR SPECIFIC PROJECTS.

NOTE: ANCHOR CLIPS AT HEAD AND JAMBS ARE INTERMITTENT

CASCADIA WINDOWS LTD.  
#101-5350 275TH STREET  
LANGLEY, BC, CANADA V4W 0C1

DRAWING TITLE: **UNIVERSAL SERIES © - STOREFRONT WINDOW RAINSCREEN WALL ASSEMBLY, EXTERIOR INSULATION**

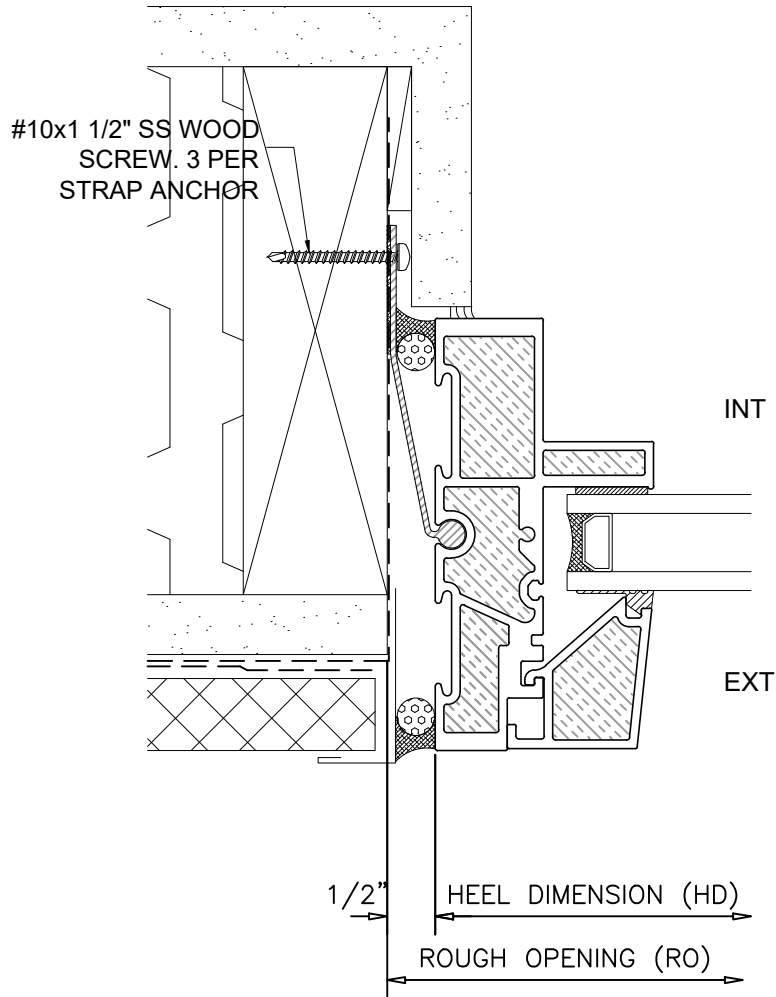
DRAWING NO.: **W-1.01**

SCALE: 6" = 1'-0"

PATENTED

DATE: 3 MARCH, 2020

DRAWN BY: CH



**PATENTED**

*NOTE: THIS DRAFT DETAIL IS FOR GENERAL ARRANGEMENT PURPOSES ONLY, AND DOES NOT NECESSARILY REPRESENT A DETAIL THAT IS APPROPRIATE FOR A SPECIFIC PROJECT. PRODUCTS AND ACCESSORIES PROVIDED BY CASCADIA MUST BE CONFIRMED FOR SPECIFIC PROJECTS.*

**NOTE:** ANCHOR CLIPS AT HEAD AND JAMBS ARE INTERMITTENT

**CASCADIA WINDOWS LTD.**  
 #101-5350 275TH STREET  
 LANGLEY, BC, CANADA V4W 0C1

DRAWING TITLE: **UNIVERSAL SERIES © - STOREFRONT WINDOW RAINSCREEN WALL ASSEMBLY, EXTERIOR INSULATION**

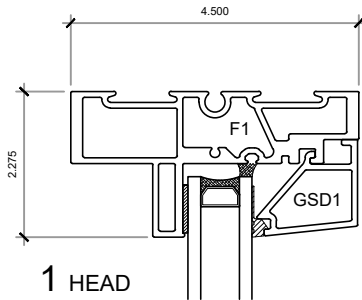
DRAWING NO.: **W-2.01**

SCALE: 6" = 1'-0"

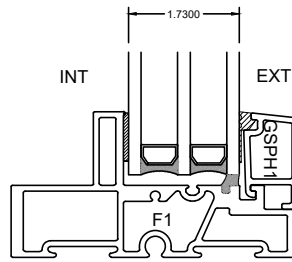
PATENTED

DATE: 3 MARCH, 2020

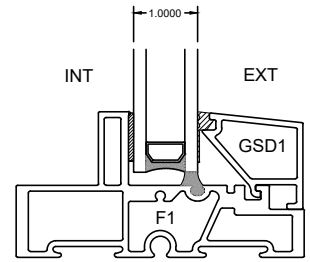
DRAWN BY: CH



1 HEAD

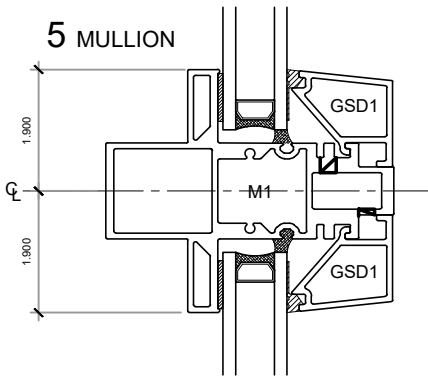


TRIPLE GLAZED  
GLAZING STOP



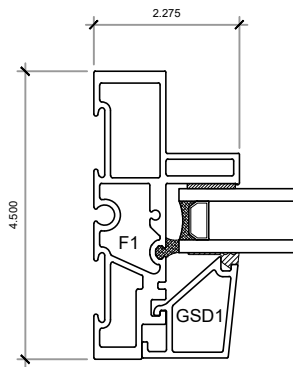
DOUBLE GLAZED  
GLAZING STOP

INT EXT

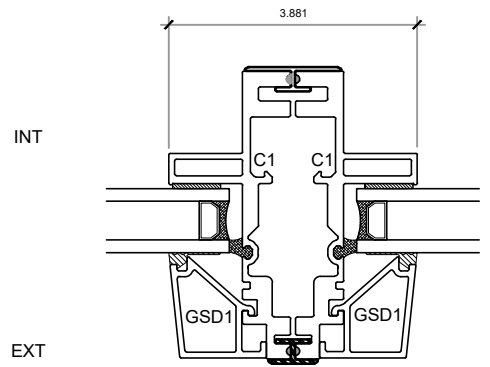


5 MULLION

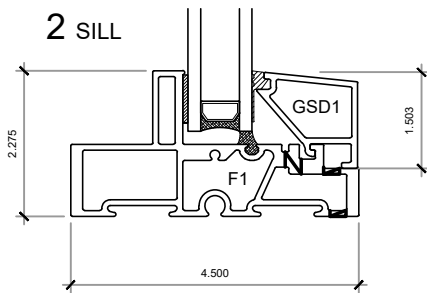
INT EXT



3 FIXED JAMB



4 COUPLED MULLION



2 SILL

PATENTED

**NOTE:** THIS DRAFT DETAIL IS FOR GENERAL ARRANGEMENT PURPOSES ONLY, AND DOES NOT NECESSARILY REPRESENT A DETAIL THAT IS APPROPRIATE FOR A SPECIFIC PROJECT. PRODUCTS AND ACCESSORIES PROVIDED BY CASCADIA MUST BE CONFIRMED FOR SPECIFIC PROJECTS.

CASCADIA WINDOWS LTD.  
#101-5350 275TH STREET  
LANGLEY, BC, CANADA V4W 0C1

DRAWING TITLE: **UNIVERSAL SERIES © - STOREFRONT WINDOW**  
PRODUCT DRAWING

DRAWING NO.:  
**W-3.01**

SCALE: 4" = 1'-0"

PATENTED

DATE: 3 MARCH, 2020

DRAWN BY: CH