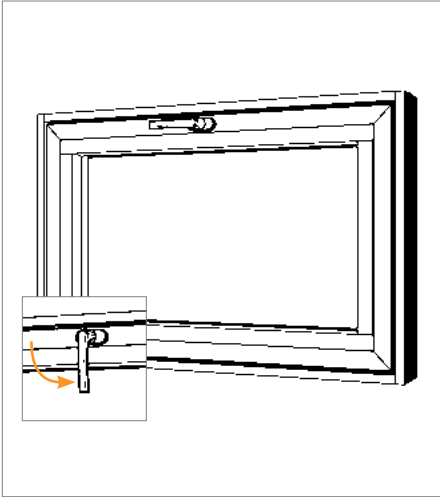


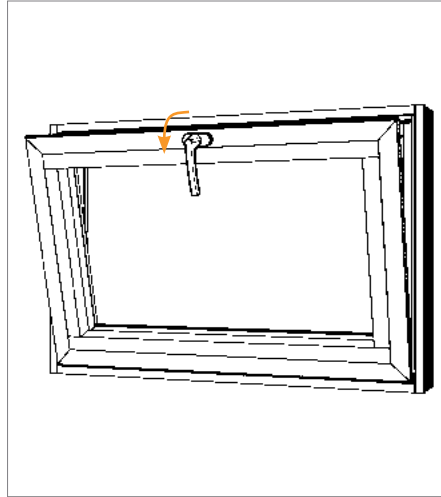
UNIVERSAL SERIES™

Operation Guide - Hopper Window

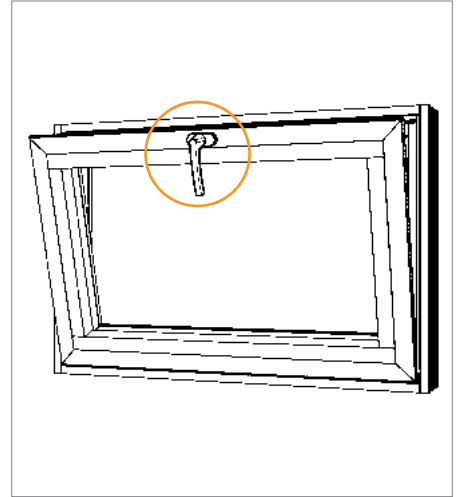
OPENING THE WINDOW



1. Turn handle down to vertical.

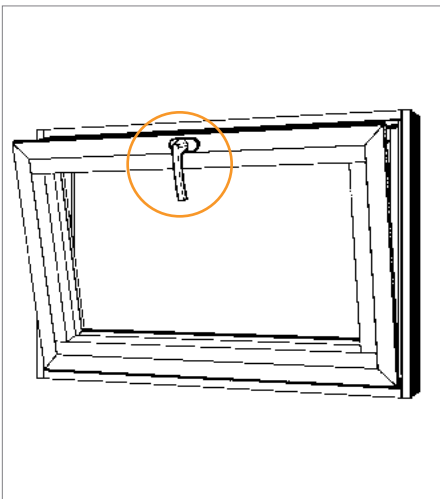


2. Gently pull window inward.

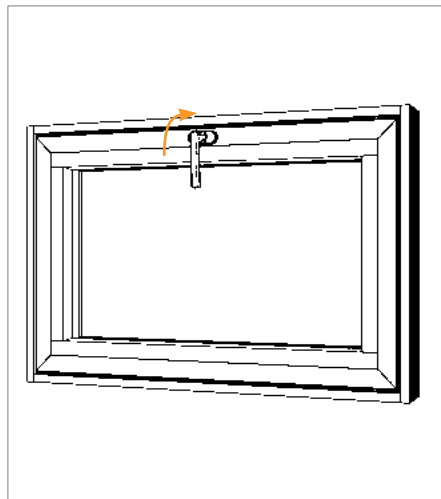


3. Leave handle at vertical.

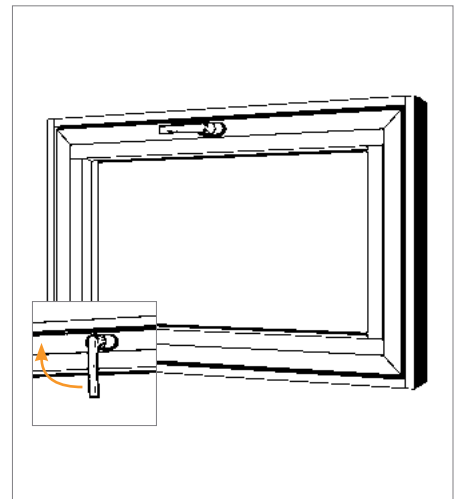
CLOSING THE WINDOW



1. Ensure handle is at vertical.



2. Gently push window closed.



3. Turn handle down to horizontal.