

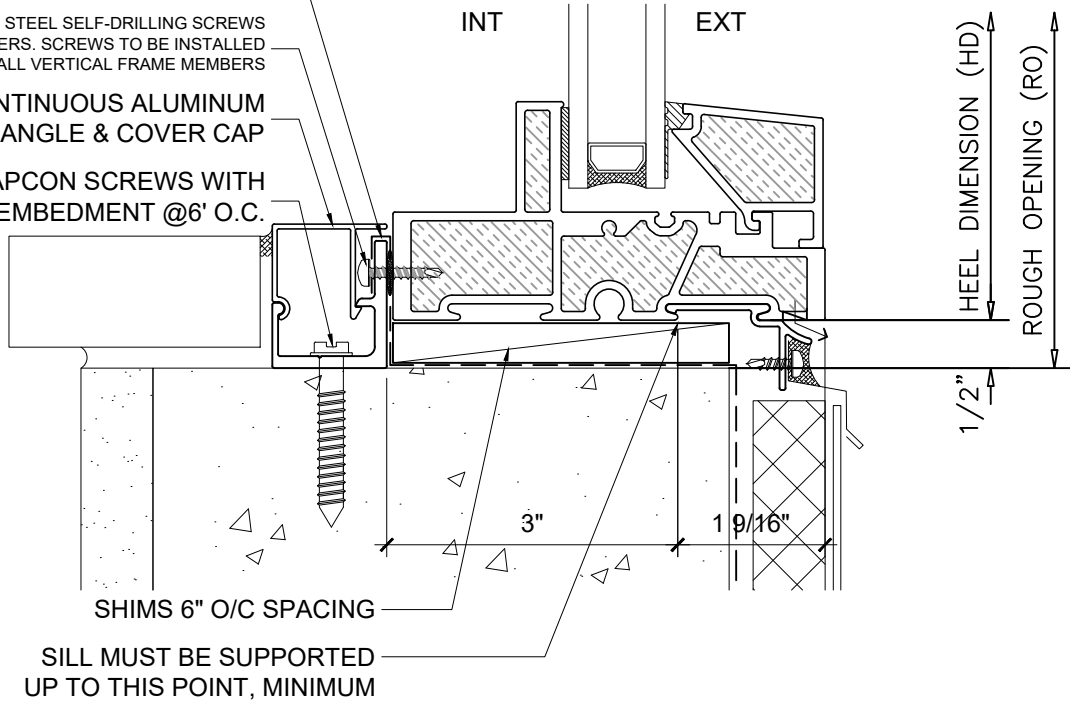
PATENTED

NOTE: WRAPPING MEMBER OVER INTERIOR SIDE OF SILL ANGLE LEG IS A RECOMMENDATION FOR COSMETIC REASONS ONLY. CUT EDGE OF MEMBRANE CAN REACT WITH SEALANT AT INTERIOR FINISHES

#10x3/4" STAINLESS STEEL SELF-DRILLING SCREWS @6" O.C. U.N.O. BY OTHERS. SCREWS TO BE INSTALLED 3" AWAY FROM ALL VERTICAL FRAME MEMBERS

CONTINUOUS ALUMINUM SILL ANGLE & COVER CAP

1/4" DIA. TAPCON SCREWS WITH 1 1/2" EMBEDMENT @6" O.C.



SILLS MUST BE SUPPORTED UP TO THIS POINT, MINIMUM

NOTE: THIS DRAFT DETAIL IS FOR GENERAL ARRANGEMENT PURPOSES ONLY, AND DOES NOT NECESSARILY REPRESENT A DETAIL THAT IS APPROPRIATE FOR A SPECIFIC PROJECT. PRODUCTS AND ACCESSORIES PROVIDED BY CASCADIA MUST BE CONFIRMED FOR SPECIFIC PROJECTS.

NOTE: ANCHOR CLIPS AT HEAD AND JAMBS ARE INTERMITTENT

CASCADIA WINDOWS LTD.
#101-5350 275TH STREET
LANGLEY, BC, CANADA V4W 0C1

DRAWING TITLE: **UNIVERSAL SERIES © - STOREFRONT WINDOW RAINSCREEN WALL ASSEMBLY, EXTERIOR INSULATION**

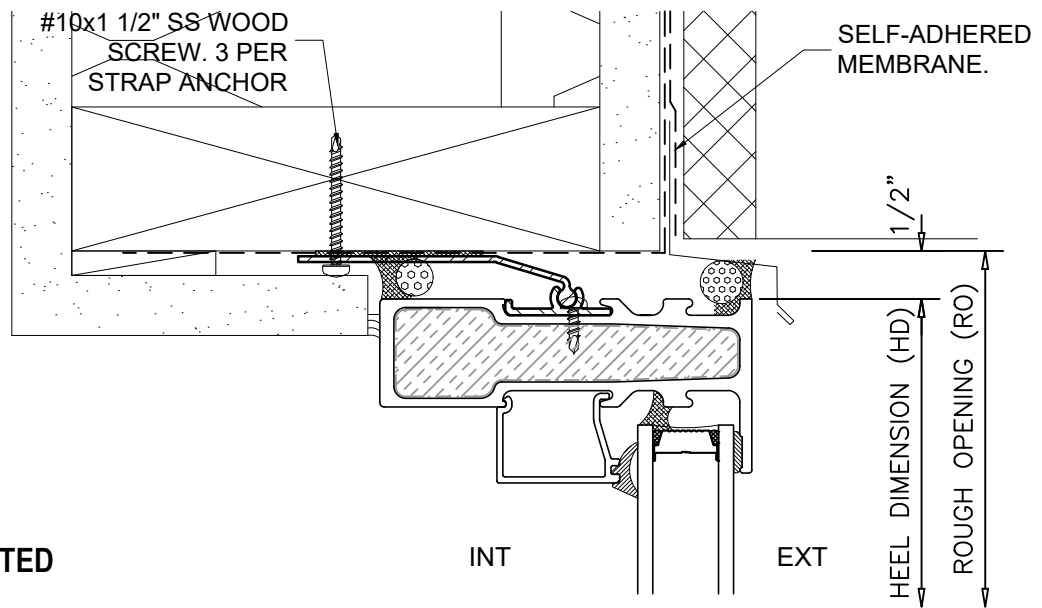
DRAWING NO.: **W-1.01**

SCALE: 6" = 1'-0"

PATENTED

DATE: 3 MARCH, 2020

DRAWN BY: CH



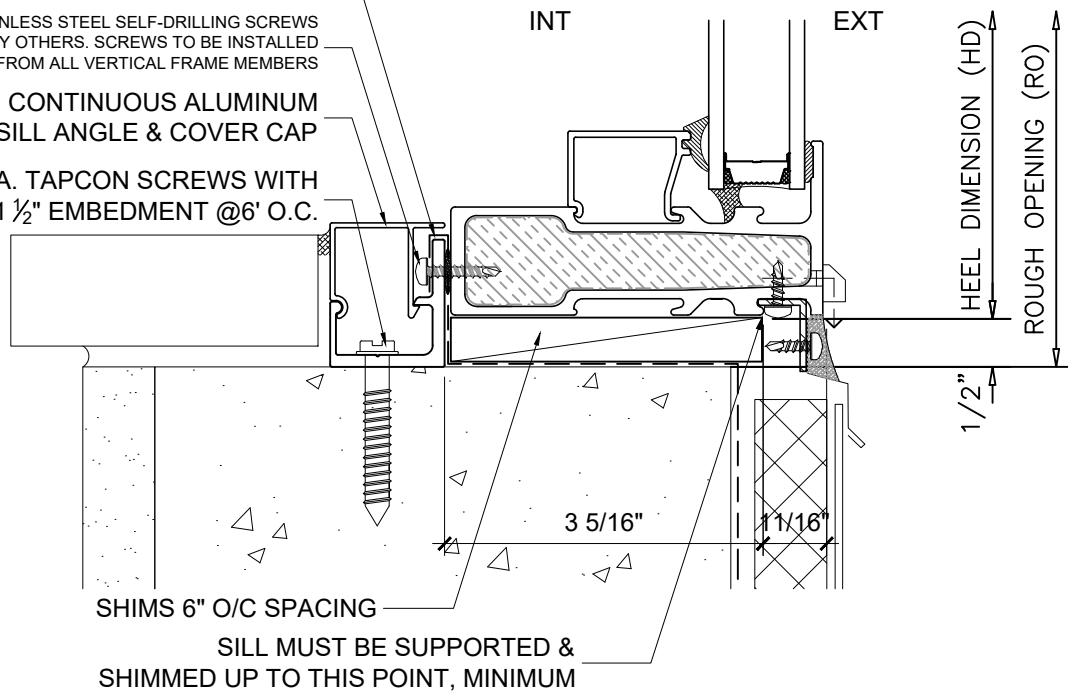
PATENTED

NOTE: WRAPPING MEMBER OVER INTERIOR SIDE OF SILL ANGLE LEG IS A RECOMMENDATION FOR COSMETIC REASONS ONLY. CUT EDGE OF MEMBRANE CAN REACT WITH SEALANT AT INTERIOR FINISHES

#10x3/4" STAINLESS STEEL SELF-DRILLING SCREWS @6" O.C. U.N.O. BY OTHERS. SCREWS TO BE INSTALLED 3" AWAY FROM ALL VERTICAL FRAME MEMBERS

CONTINUOUS ALUMINUM SILL ANGLE & COVER CAP

1/4" DIA. TAPCON SCREWS WITH 1 1/2" EMBEDMENT @6' O.C.



SHIMS 6" O/C SPACING
SILL MUST BE SUPPORTED & SHIMMED UP TO THIS POINT, MINIMUM

NOTE: THIS DRAFT DETAIL IS FOR GENERAL ARRANGEMENT PURPOSES ONLY, AND DOES NOT NECESSARILY REPRESENT A DETAIL THAT IS APPROPRIATE FOR A SPECIFIC PROJECT. PRODUCTS AND ACCESSORIES PROVIDED BY CASCADIA MUST BE CONFIRMED FOR SPECIFIC PROJECTS.

NOTE: ANCHOR CLIPS AT HEAD AND JAMBS ARE INTERMITTENT

CASCADIA WINDOWS LTD.
#101-5350 275TH STREET
LANGLEY, BC, CANADA V4W 0C1

DRAWING TITLE:

400 SERIES - STOREFRONT WINDOW
RAINSREEN WALL ASSEMBLY, EXTERIOR INSULATION

DRAWING NO.:

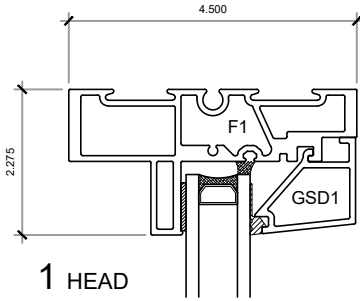
W-1.02

SCALE: 6" = 1'-0"

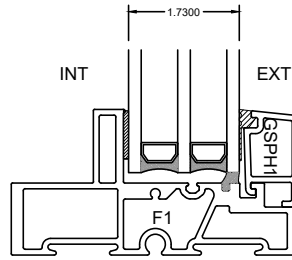
PATENTED

DATE: 3 MARCH, 2020

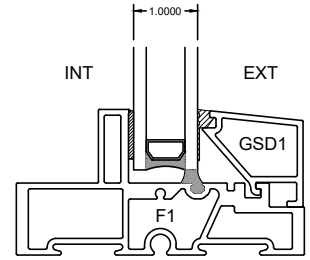
DRAWN BY: CH



1 HEAD

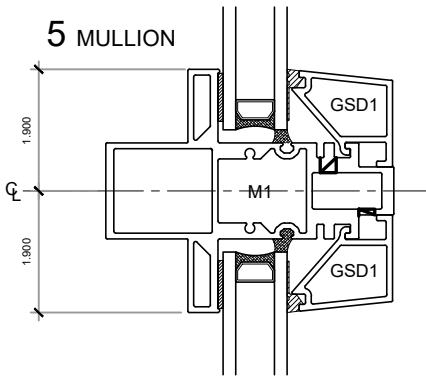


TRIPLE GLAZED
GLAZING STOP

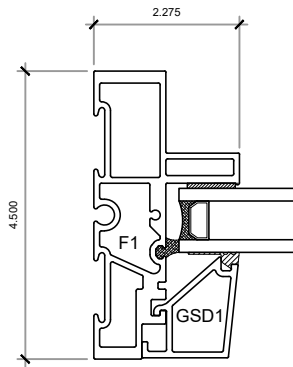


DOUBLE GLAZED
GLAZING STOP

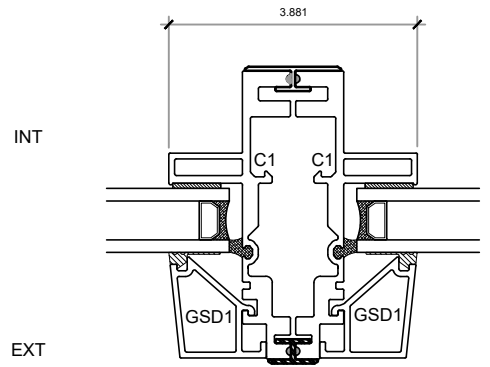
INT EXT



5 MULLION

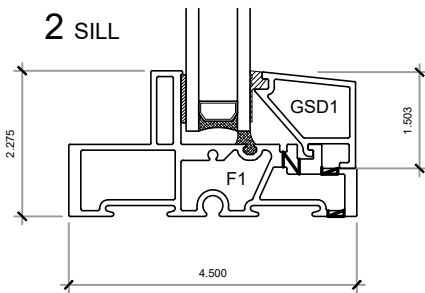


3 FIXED JAMB



4 COUPLED MULLION

INT EXT



2 SILL

PATENTED

NOTE: THIS DRAFT DETAIL IS FOR GENERAL ARRANGEMENT PURPOSES ONLY, AND DOES NOT NECESSARILY REPRESENT A DETAIL THAT IS APPROPRIATE FOR A SPECIFIC PROJECT. PRODUCTS AND ACCESSORIES PROVIDED BY CASCADIA MUST BE CONFIRMED FOR SPECIFIC PROJECTS.

CASCADIA WINDOWS LTD.
#101-5350 275TH STREET
LANGLEY, BC, CANADA V4W 0C1

DRAWING TITLE: **UNIVERSAL SERIES © - STOREFRONT WINDOW**
PRODUCT DRAWING

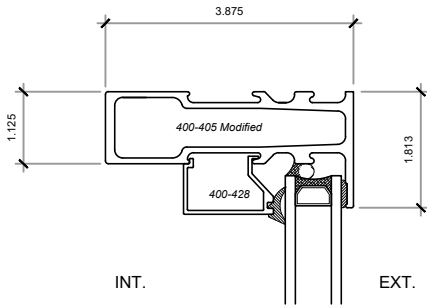
DRAWING NO.:
W-2.01

SCALE: 4" = 1'-0"

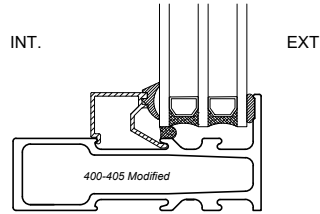
PATENTED

DATE: 3 MARCH, 2020

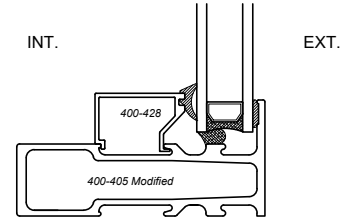
DRAWN BY: CH



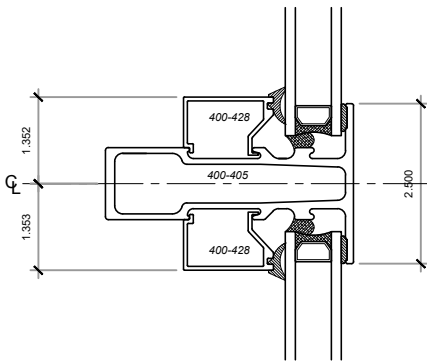
1 HEAD



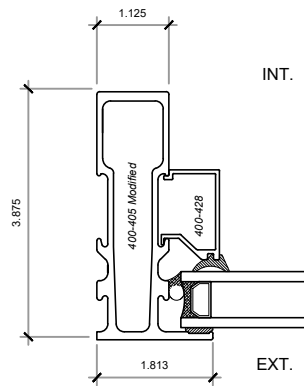
TRIPLE GLAZED
GLAZING STOP



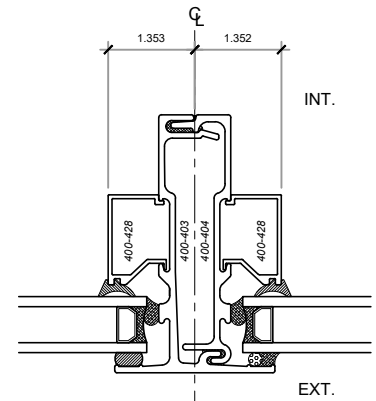
DOUBLE GLAZED
GLAZING STOP



5 MULLION

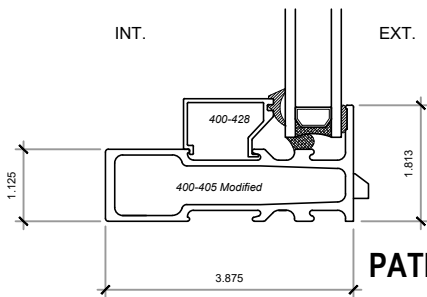


3 FIXED JAMB



4 COUPLED MULLION

2 SILL



PATENTED

NOTE: THIS DRAFT DETAIL IS FOR GENERAL ARRANGEMENT PURPOSES ONLY, AND DOES NOT NECESSARILY REPRESENT A DETAIL THAT IS APPROPRIATE FOR A SPECIFIC PROJECT. PRODUCTS AND ACCESSORIES PROVIDED BY CASCADIA MUST BE CONFIRMED FOR SPECIFIC PROJECTS.

CASCADIA WINDOWS LTD.
#101-5350 275TH STREET
LANGLEY, BC, CANADA V4W 0C1

DRAWING
TITLE:

400 SERIES - STOREFRONT WINDOW
PRODUCT DRAWING

DRAWING NO.:

W-2.02D

SCALE: 4" = 1'-0"

PATENTED

DATE: 3 MARCH, 2020

DRAWN BY: CH