

NOTE: WRAPPING MEMBERANE OVER INTERIOR SIDE OF SILL ANGLE LEG IS A RECOMMENDATION FOR COSMETIC REASONS ONLY. CUT EDGE OF MEMBRANE CAN REACT WITH SEALANT AT INTERIOR FINISHES

#10x3/4" STAINLESS STEEL SELF-DRILLING SCREWS @6" O.C. U.N.O. BY OTHERS. SCREWS TO BE INSTALLED 3" AWAY FROM ALL VERTICAL FRAME MEMBERS

OPTIONAL CONTINUOUS ALUMINUM SILL ANGLE & COVER CAP

SHIMS 6" O/C SPACING

FIBERGLASS TUBE OR OTHER DETERIORATION AND CORROSION RESISTANT MATERIAL BY OTHERS

NOTE: THIS DRAFT DETAIL IS FOR GENERAL ARRANGEMENT PURPOSES ONLY, AND DOES NOT NECESSARILY REPRESENT A DETAIL THAT IS APPROPRIATE FOR A SPECIFIC PROJECT. PRODUCTS AND ACCESSORIES PROVIDED BY CASCADIA MUST BE CONFIRMED FOR SPECIFIC PROJECTS.

CASCADIA WINDOWS LTD.
#101-5350 275TH STREET
LANGLEY, BC, CANADA V4W 0C1

DRAWING TITLE: UNIVERSAL SERIES **Ⓢ** - TYP. DOOR HEAD+SILL
RAINSCREEN WALL ASSEMBLY, EXT. INSULATION, TRIPLE GLAZED

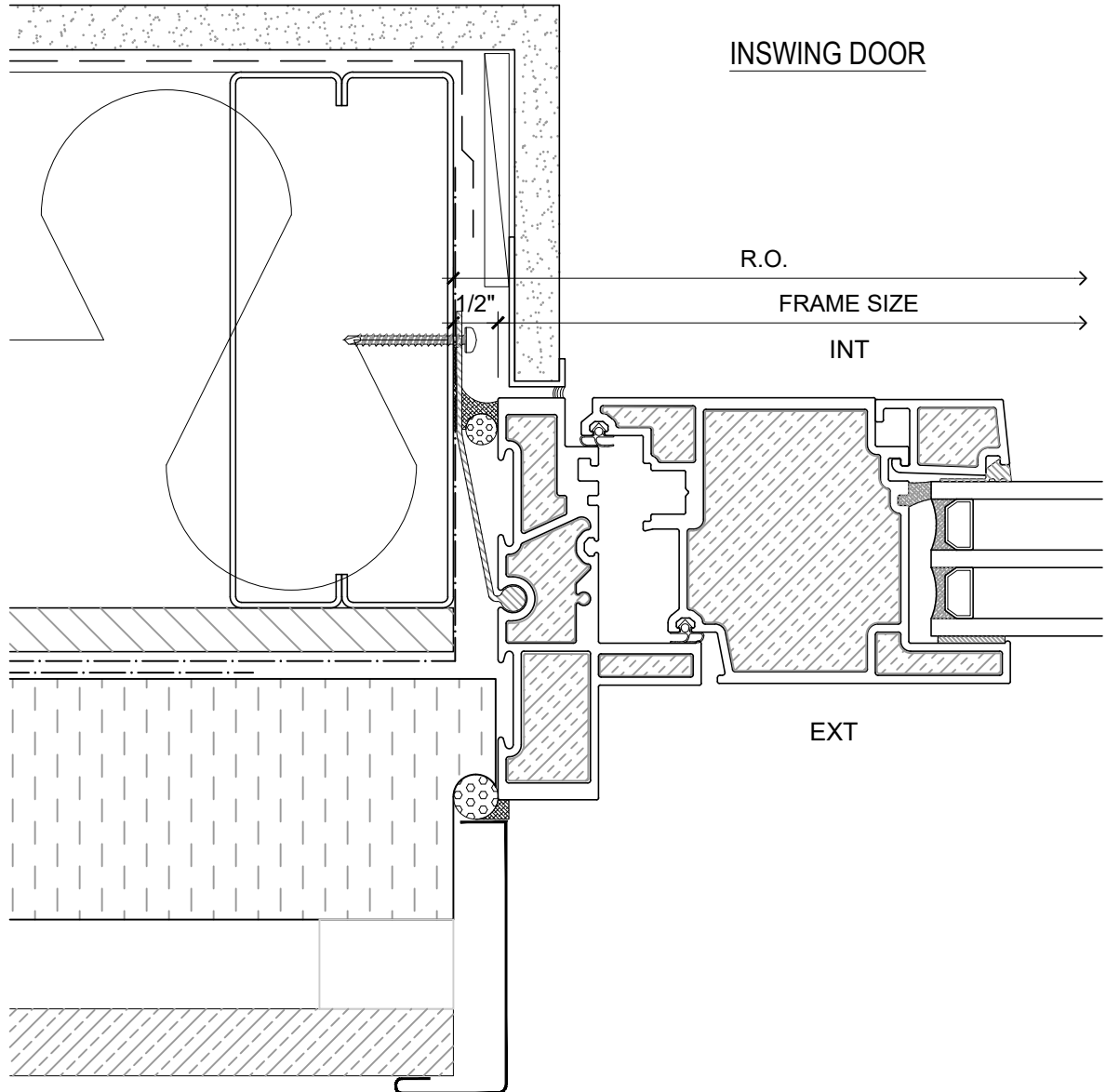
DRAWING NO.:
D-1.01

SCALE: 6" = 1'-0"

PATENTED

DATE: 21 AUGUST, 2020

DRAWN BY: CH



PATENTED

NOTE: THIS DRAFT DETAIL IS FOR GENERAL ARRANGEMENT PURPOSES ONLY, AND DOES NOT NECESSARILY REPRESENT A DETAIL THAT IS APPROPRIATE FOR A SPECIFIC PROJECT. PRODUCTS AND ACCESSORIES PROVIDED BY CASCADIA MUST BE CONFIRMED FOR SPECIFIC PROJECTS.

NOTE: SUB-CLIPS AND ANCHOR CLIPS AT HEAD AND JAMBS ARE INTERMITTENT

CASCADIA WINDOWS LTD.
 #101-5350 275TH STREET
 LANGLEY, BC, CANADA V4W 0C1

DRAWING TITLE: **UNIVERSAL SERIES ® - TYPICAL DOOR JAMB**
RAINSCREEN WALL ASSEMBLY, EXT. INS., TRIPLE GLAZED

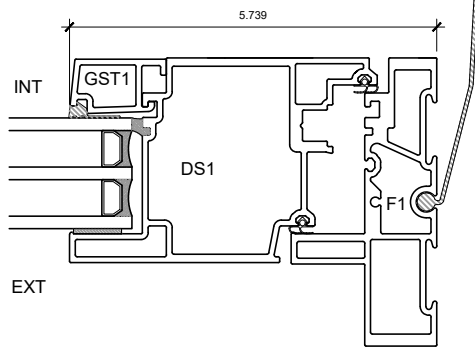
DRAWING NO.:
D-1.02

SCALE: 6" = 1'-0"

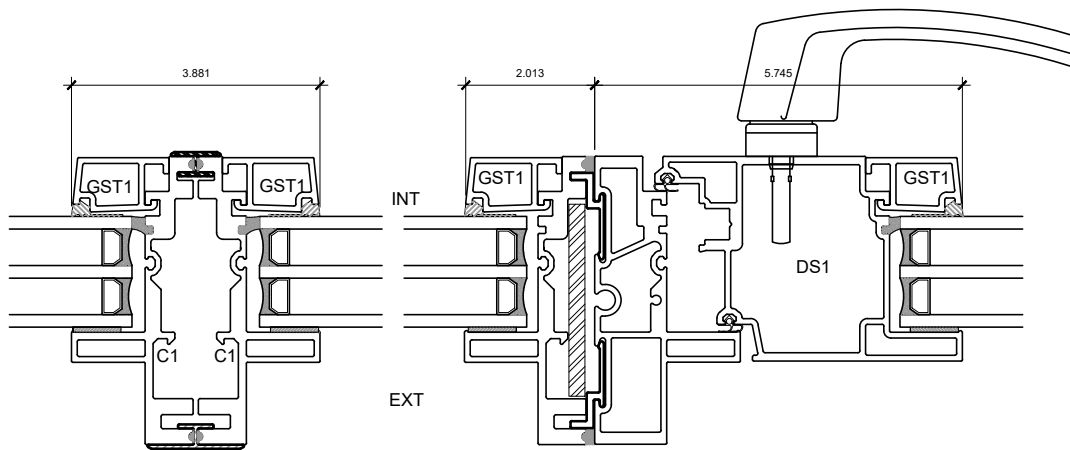
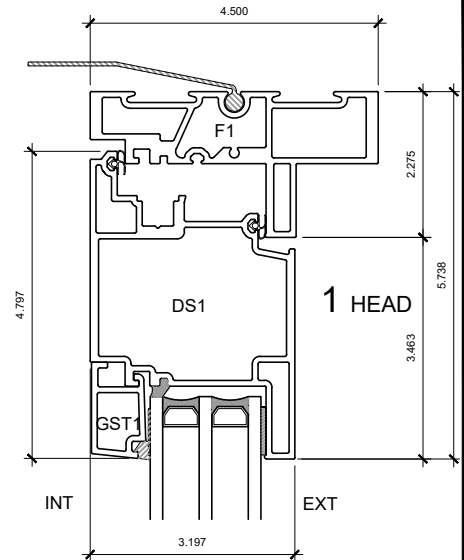
PATENTED

DATE: 21 AUGUST, 2020

DRAWN BY: CH

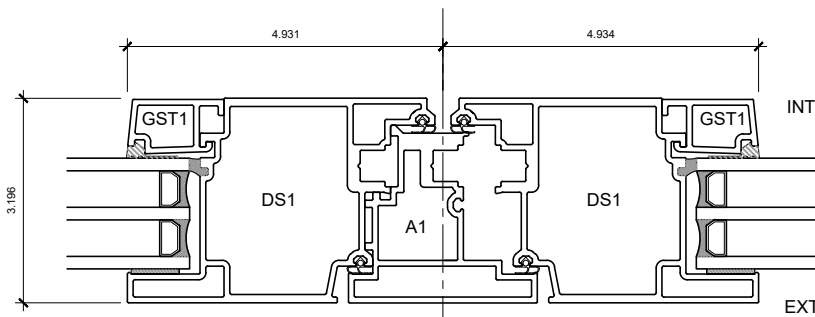


3 OPERABLE JAMB

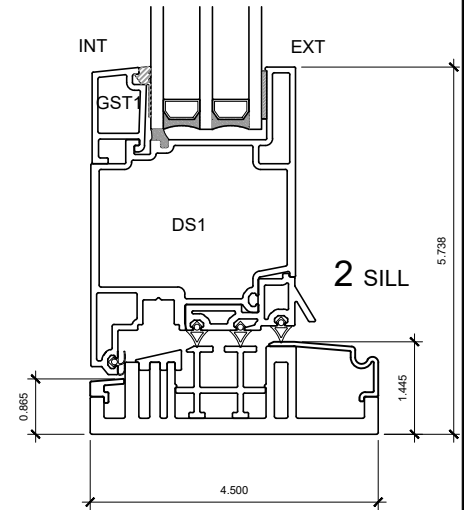


5 COUPLED MULLION

4 JAMB COUPLER (JCC)



6 ASTRAGAL



PATENTED

NOTE: THIS DRAFT DETAIL IS FOR GENERAL ARRANGEMENT PURPOSES ONLY, AND DOES NOT NECESSARILY REPRESENT A DETAIL THAT IS APPROPRIATE FOR A SPECIFIC PROJECT. PRODUCTS AND ACCESSORIES PROVIDED BY CASCADIA MUST BE CONFIRMED FOR SPECIFIC PROJECTS.

CASCADIA WINDOWS LTD.
#101-5350 275TH STREET
LANGLEY, BC, CANADA V4W 0C1

DRAWING
TITLE:

UNIVERSAL SERIES [®] - INSWING DOOR
PRODUCT DRAWING, TRIPLE GLAZED

DRAWING NO.:

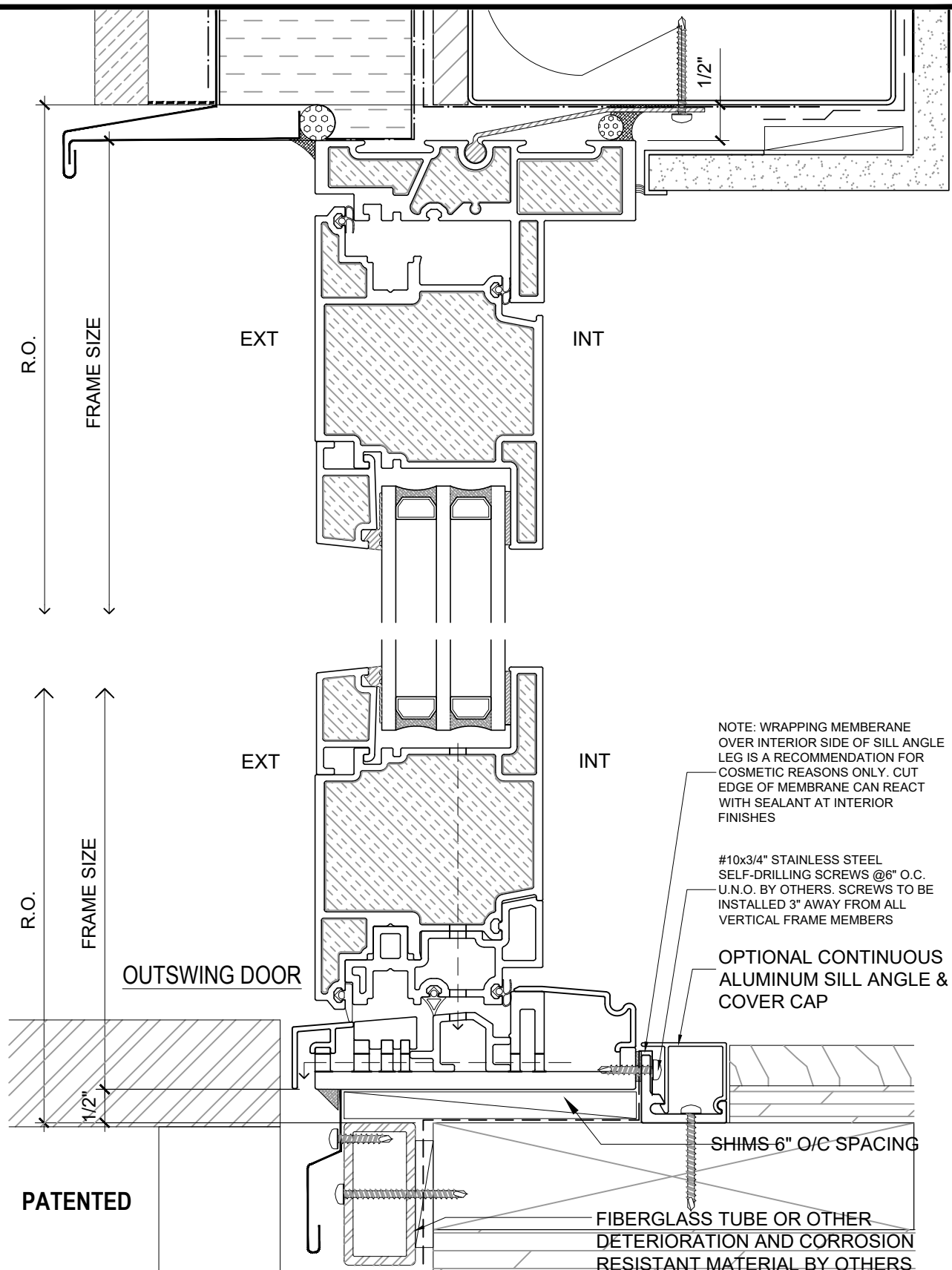
D-2.01

SCALE: 4" = 1'-0"

PATENTED

DATE: 21 AUGUST, 2020

DRAWN BY: CH



NOTE: WRAPPING MEMBERANE OVER INTERIOR SIDE OF SILL ANGLE LEG IS A RECOMMENDATION FOR COSMETIC REASONS ONLY. CUT EDGE OF MEMBRANE CAN REACT WITH SEALANT AT INTERIOR FINISHES

#10x3/4" STAINLESS STEEL SELF-DRILLING SCREWS @6" O.C. U.N.O. BY OTHERS. SCREWS TO BE INSTALLED 3" AWAY FROM ALL VERTICAL FRAME MEMBERS

OPTIONAL CONTINUOUS ALUMINUM SILL ANGLE & COVER CAP

SHIMS 6" O/C SPACING

FIBERGLASS TUBE OR OTHER DETERIORATION AND CORROSION RESISTANT MATERIAL BY OTHERS

NOTE: THIS DRAFT DETAIL IS FOR GENERAL ARRANGEMENT PURPOSES ONLY, AND DOES NOT NECESSARILY REPRESENT A DETAIL THAT IS APPROPRIATE FOR A SPECIFIC PROJECT. PRODUCTS AND ACCESSORIES PROVIDED BY CASCADIA MUST BE CONFIRMED FOR SPECIFIC PROJECTS.

CASCADIA WINDOWS LTD.
 #101-5350 275TH STREET
 LANGLEY, BC, CANADA V4W 0C1

DRAWING TITLE: UNIVERSAL SERIES **Ⓢ** - TYP. DOOR HEAD+SILL
 RAINSCREEN WALL ASSEMBLY, EXT. INS., TRIPLE GLAZED

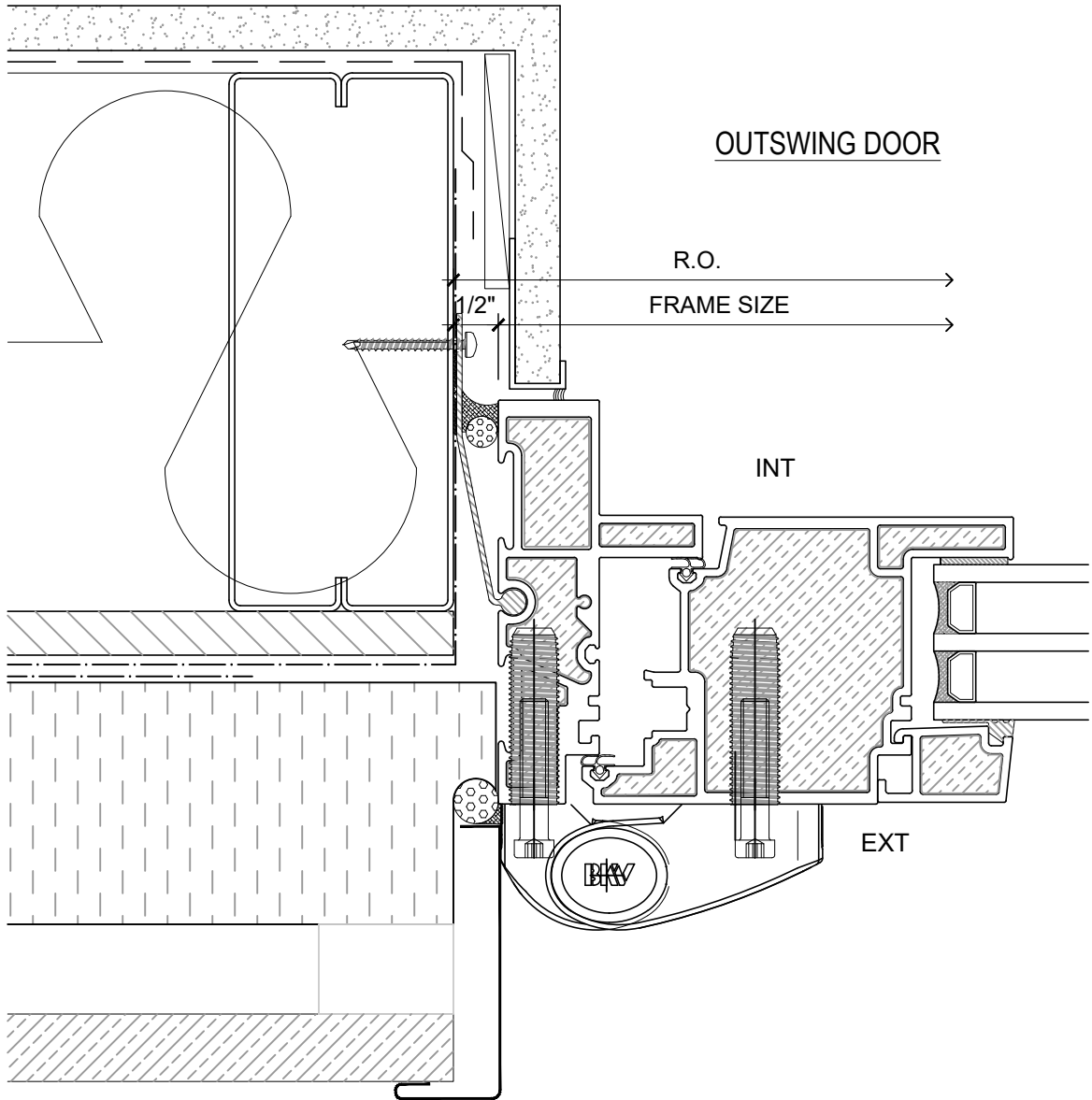
DRAWING NO.:
D-1.01

SCALE: 6" = 1'-0"

PATENTED

DATE: 21 AUGUST, 2020

DRAWN BY: CH



PATENTED

NOTE: THIS DRAFT DETAIL IS FOR GENERAL ARRANGEMENT PURPOSES ONLY, AND DOES NOT NECESSARILY REPRESENT A DETAIL THAT IS APPROPRIATE FOR A SPECIFIC PROJECT. PRODUCTS AND ACCESSORIES PROVIDED BY CASCADIA MUST BE CONFIRMED FOR SPECIFIC PROJECTS.

NOTE: SUB-CLIPS AND ANCHOR CLIPS AT HEAD AND JAMBS ARE INTERMITTENT

CASCADIA WINDOWS LTD.
 #101-5350 275TH STREET
 LANGLEY, BC, CANADA V4W 0C1

DRAWING TITLE: **UNIVERSAL SERIES ® - TYPICAL DOOR JAMB**
RAINSCREEN WALL ASSEMBLY, EXT. INS., TRIPLE GLAZED

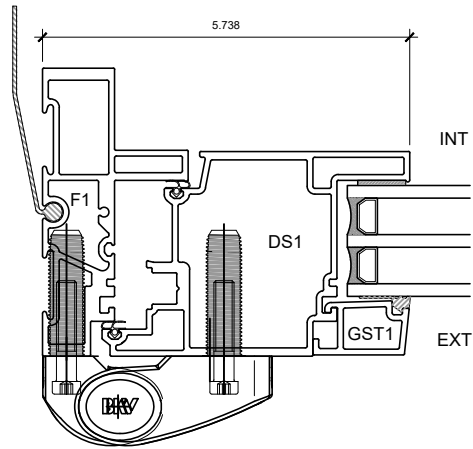
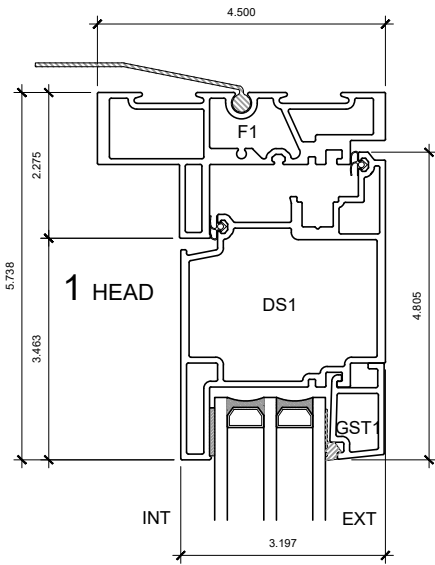
DRAWING NO.:
D-1.02

SCALE: 6" = 1'-0"

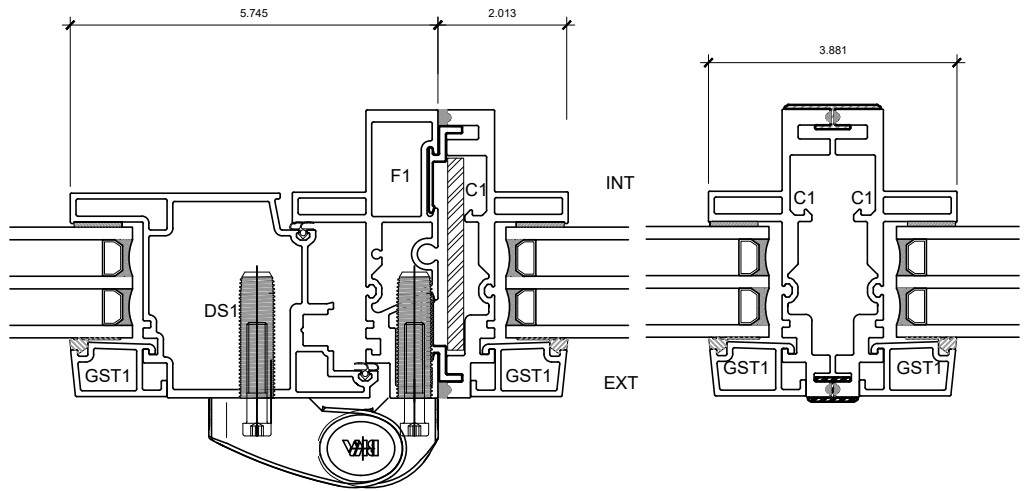
PATENTED

DATE: 21 AUGUST, 2020

DRAWN BY: CH

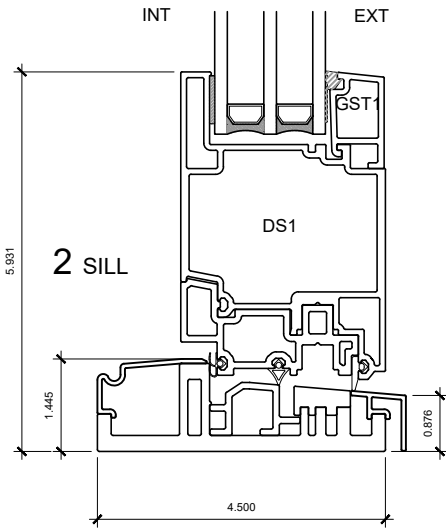


3 OPERABLE JAMB

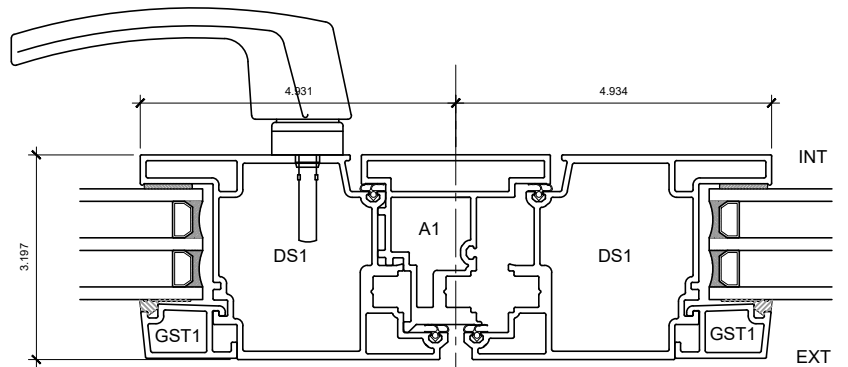


4 JAMB COUPLER (JCC)

5 COUPLED MULLION



2 SILL



6 ASTRAGAL

PATENTED

NOTE: THIS DRAFT DETAIL IS FOR GENERAL ARRANGEMENT PURPOSES ONLY, AND DOES NOT NECESSARILY REPRESENT A DETAIL THAT IS APPROPRIATE FOR A SPECIFIC PROJECT. PRODUCTS AND ACCESSORIES PROVIDED BY CASCADIA MUST BE CONFIRMED FOR SPECIFIC PROJECTS.

CASCADIA WINDOWS LTD.
#101-5350 275TH STREET
LANGLEY, BC, CANADA V4W 0C1

DRAWING
TITLE:

UNIVERSAL SERIES [®] - OUTSWING DOOR
PRODUCT DRAWING, TRIPLE GLAZED

DRAWING NO.:

D-2.01

SCALE: 4" = 1'-0"

PATENTED

DATE: 21 AUGUST, 2020

DRAWN BY: CH