



CASCADIA WINDOWS LTD.

TEL 604 857 4600
FAX 604 857 4606

27050 GLOUCESTER WAY
LANGLEY, BC CANADA V4W 3Y5

INFO@CASCADIAWINDOWS.COM
WWW.CASCADIAWINDOWS.COM

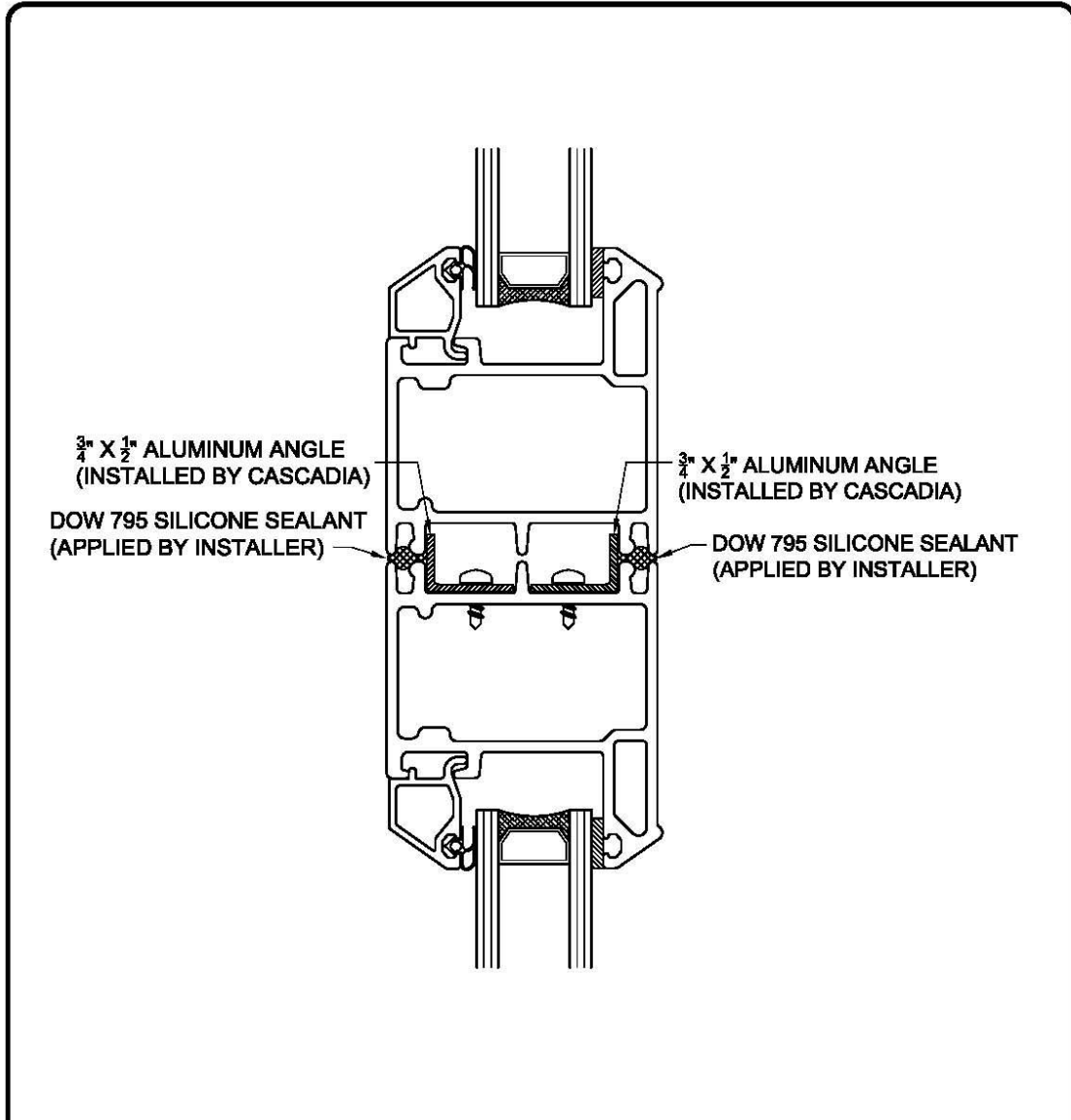
ALUMINUM ANGLE COUPLING OPTION INSTRUCTIONS – 300 SERIES FAMILY

PREPARATION

- A. R.O. to be perfectly plumb and level
- B. R.O. to be 1" to 1 ½" larger than window heal dimension.
- C. R.O. preparation to be complete, including sill shims, prior to window installation.


INSTALLATION

1. Bend installation clips inward on window of frame jambs.
2. Install first window tight against jamb of R.O.
3. Apply sealant on coupler angles as shown on attached detail "Coupler Aluminum Angle Option – Plan View Detail."
4. Install next window adjacent to first window.
5. Place shims on top and bottom of one of the jambs (typically on jamb of last installed window). Shim to be ½ of the thickness of overall R.O. clearance dimension (Example: for 1" overall R.O. clearance, use ½" shims).
6. Shift windows over towards the shimmed jamb until windows are tightly coupled and snug against jamb shims.
7. Ensure window sill is perfectly level and install attachment screws through installation angle into window frame.
8. Ensure windows are perfectly plumb and square, then install screws into installation clips on the shimmed jamb.
9. Install shims on other jamb, then install screws into installation clips.
10. Install screws at installation clips at head.
11. Install interior perimeter seals per designer requirements.



NOTE: THIS DETAIL IS FOR GENERAL ARRANGEMENT PURPOSES ONLY, AND DOES NOT NECESSARILY REPRESENT A DETAIL THAT IS APPROPRIATE FOR A SPECIFIC PROJECT. PRODUCTS AND ACCESSORIES PROVIDED BY CASCADIA MUST BE CONFIRMED FOR SPECIFIC PROJECTS.

PLAN VIEW DETAIL

 <p style="font-size: 8px; margin-top: 5px;"> CASCADIA WINDOWS LTD. 2780 GLOUCESTER WAY LANGLEY, BC CANADA, V4W 3Y6 </p>	SERIES: ALUMINUM ANGLE COUPLING OPTION 300 SERIES FAMILY		DRAWING NO.: 1.01	
	DRAWING TITLE: COUPLER - ALUMINUM ANGLE OPTION		PROJECT NO.: 0-01	
	ISSUE	DESCRIPTION	DATE	SCALE: NTS
				DATE: 15 DEC 2011
			DRAWN BY: AN	
			CHECKED BY: JS	

December 20, 2011, 4:02 PM