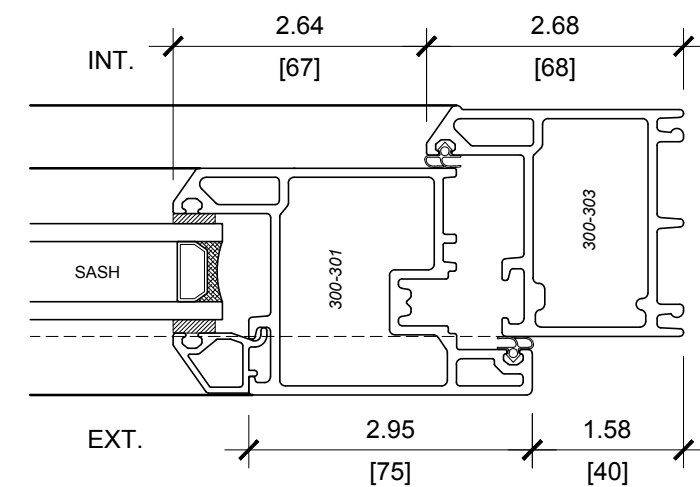
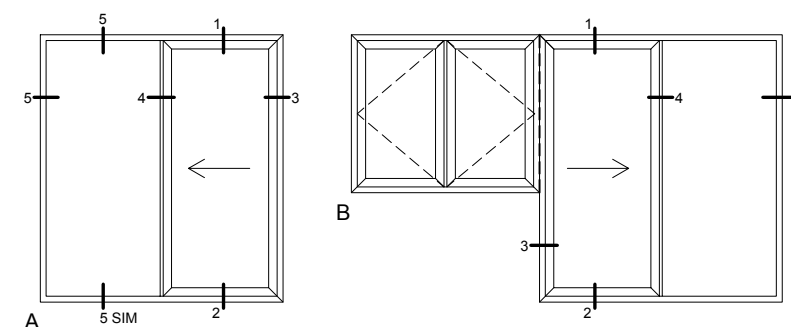


INSTALL OPTION:
ALUMINUM NAIL
FLANGE
(AT HEAD AND JAMBS ONLY)
SCALE: 3" = 1'-0"

INSTALL OPTION:
ALUM. CLIP WITH
SUB-CLIP
(SEE TYP. INSTALL DETAILS)



NOTE: PRODUCT IS
COMPATIBLE WITH
RETRACTABLE TYPE
INSECT SCREENS



SEAL:

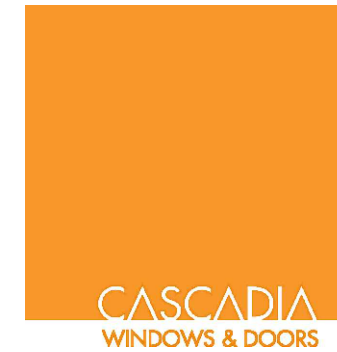
PROJECT TITLE:

**PROJECT NAME +
CONSULTANT**

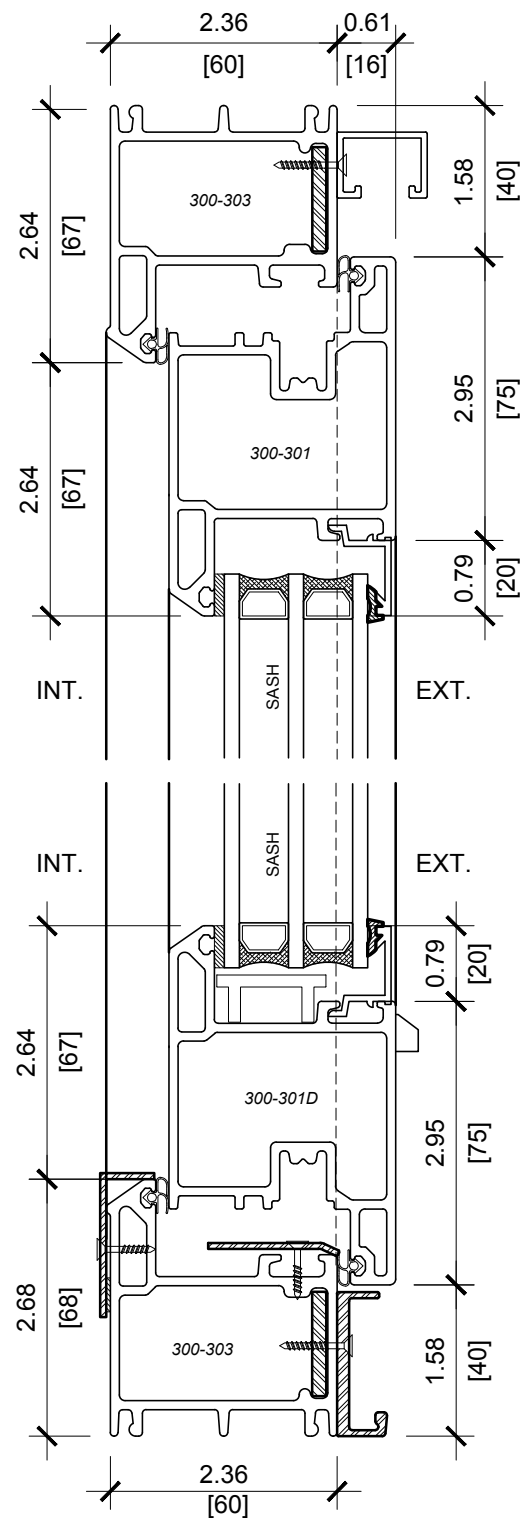
ISSUE	DESCRIPTION	DATE
1	REVISION 1	1 SEP, 2011
2	REVISION 2	25 NOV, 2015
3	REVISION 3	16 MAR, 2016

DRAWING
TITLE:
**SERIES 303
COMPRESSION
SLIDER DOOR**
[STANDARD FIXED SIDELITE]

SCALE: 6" = 1'-0"	DRAWING NO.:
DATE: 25 NOV, 2015	303 STD
DRAWN BY: CP	
CHECKED BY: MB	

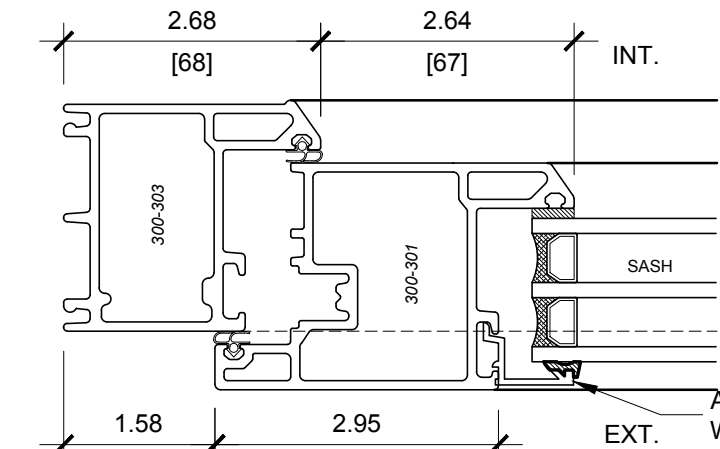


1 HEAD AT SASH

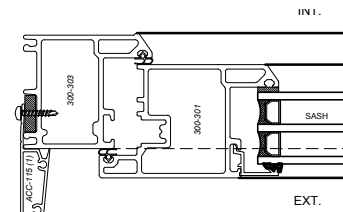
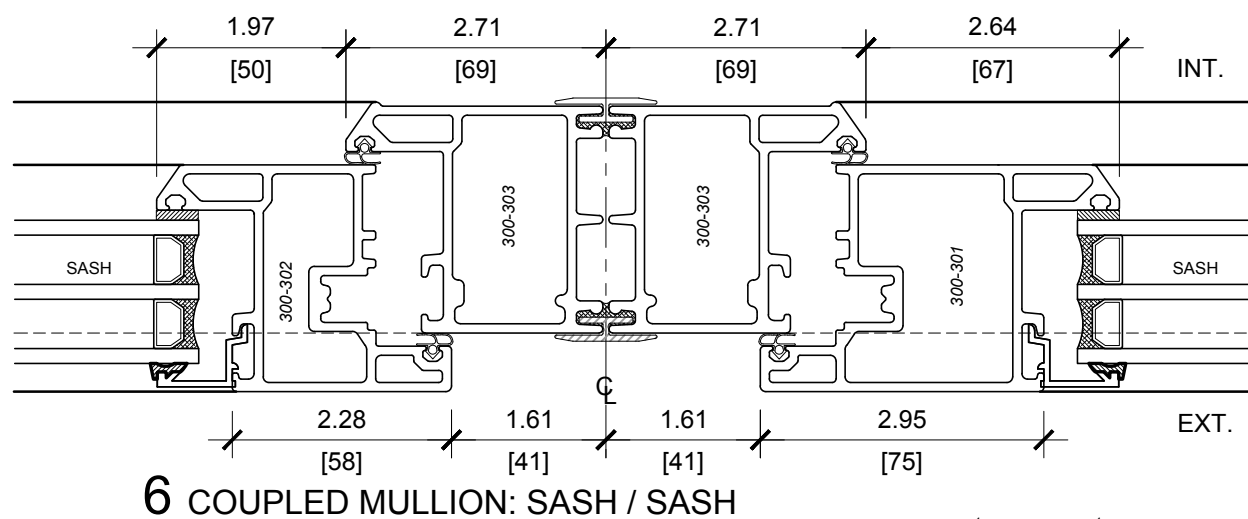
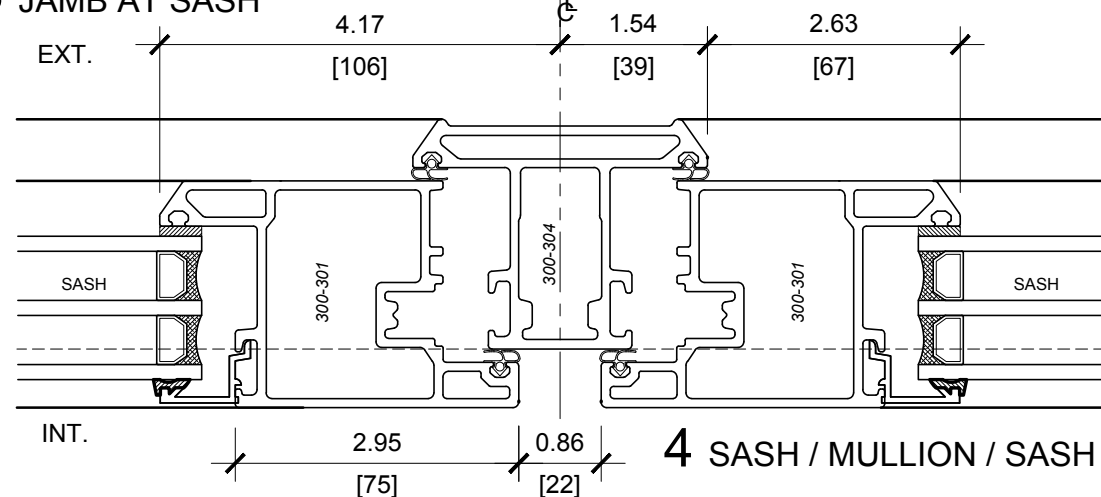


2 THRESHOLD AT SASH

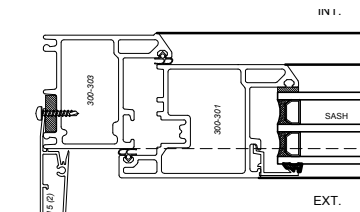
NOTE: PRODUCT IS COMPATIBLE WITH RETRACTABLE TYPE INSECT SCREENS



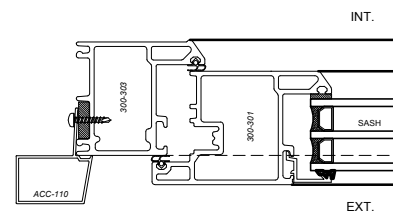
3 JAMB AT SASH



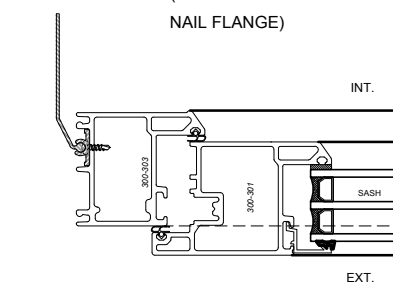
OPTION:
 1 5/8" ALUM.
 FRAME EXTENDER
 SCALE: 3" = 1'-0"
 (NOT AVAILABLE WITH NAIL FLANGE)



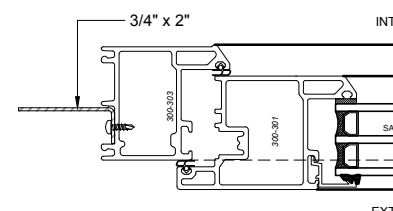
OPTION:
 3 1/4" ALUM.
 FRAME EXTENDER
 SCALE: 3" = 1'-0"
 (NOT AVAILABLE WITH NAIL FLANGE)



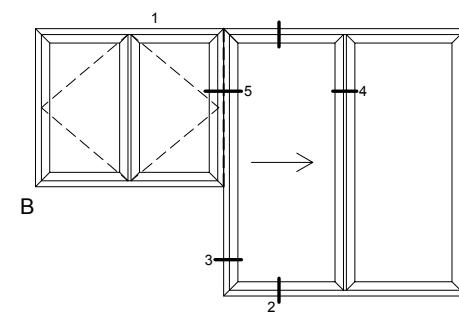
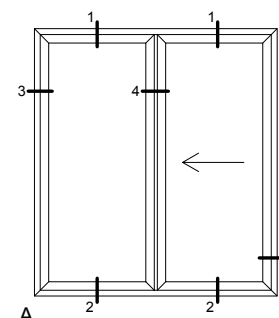
OPTION:
 ALUM. BRICK MOULD
 SCALE: 3" = 1'-0"
 (NOT AVAILABLE WITH NAIL FLANGE)



INSTALL OPTION:
 ALUM. CLIP WITH SUB-CLIP
 (SEE TYP. INSTALL DETAILS)
 SCALE: 3" = 1'-0"



INSTALL OPTION:
 ALUM. FLANGE
 (SEE TYP. INSTALL DETAILS)
 SCALE: 3" = 1'-0"



SEAL:

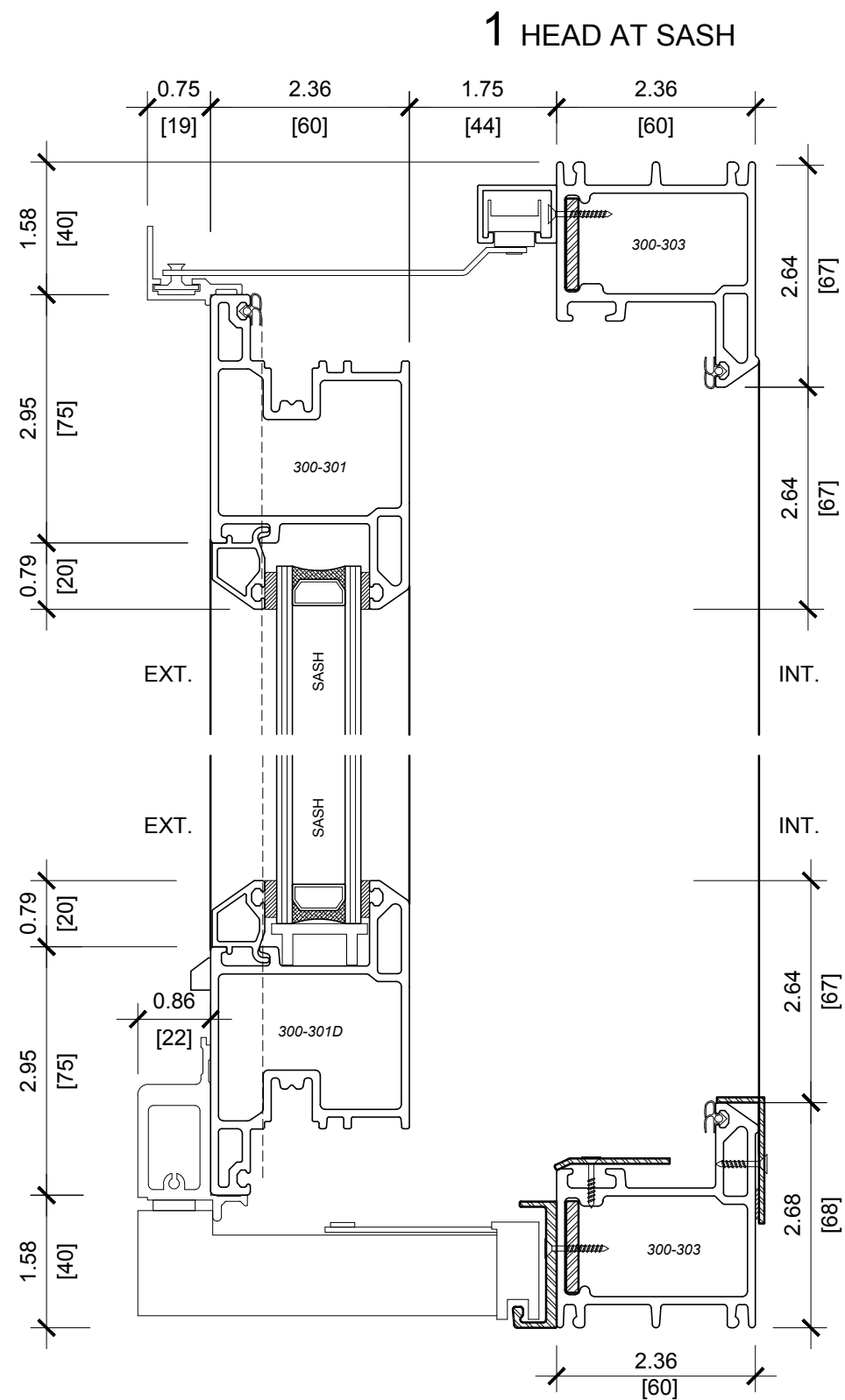
PROJECT TITLE:

PROJECT NAME + CONSULTANT

ISSUE	DESCRIPTION	DATE
1	REVISION 1	1 SEP, 2011
2	REVISION 2	25 NOV, 2015
3	REVISION 3	16 MAR, 2016

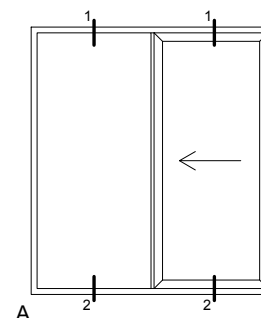
DRAWING TITLE:
SERIES 303 COMPRESSION SLIDER DOOR
 [STANDARD FIXED SIDELITE]

SCALE: 6" = 1'-0"	DRAWING NO.: 303 STD
DATE: 25 NOV, 2015	
DRAWN BY: CP	
CHECKED BY: MB	



2 THRESHOLD AT SASH

NOTE: PRODUCT IS COMPATIBLE WITH RETRACTABLE TYPE INSECT SCREENS



SEAL:

PROJECT TITLE:

PROJECT NAME + CONSULTANT

ISSUE	DESCRIPTION	DATE
1	REVISION 1	1 SEP, 2011
2	REVISION 2	25 NOV, 2015
3	REVISION 3	16 MAR, 2016

DRAWING TITLE:

**SERIES 303
COMPRESSION
SLIDER - OPEN**

SCALE: 6" = 1'-0"

DATE: 1 SEP, 2011

DRAWN BY: CP

CHECKED BY: MB

DRAWING NO.:

303 STD-2