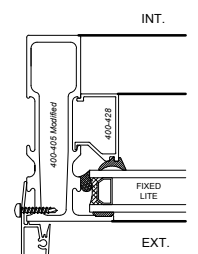
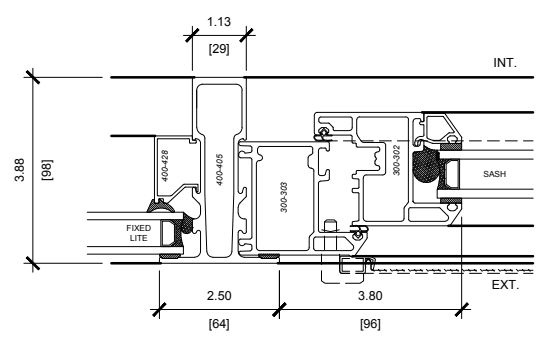


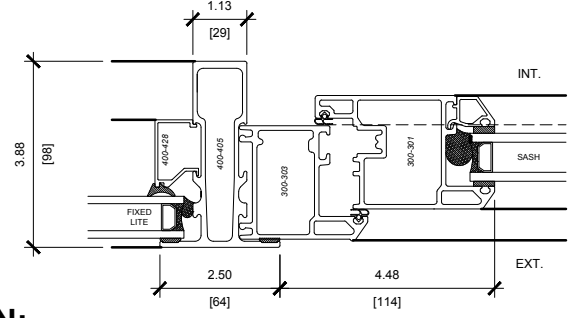
OPTION:
1 5/8" ALUM.
FRAME
EXTENDER
SCALE: 3" = 1'-0"



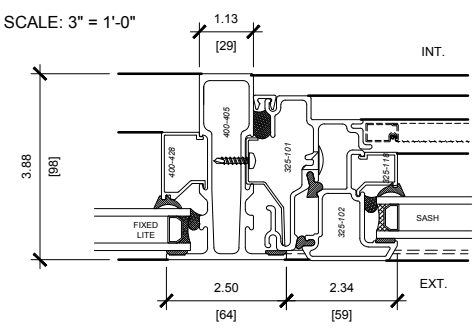
OPTION:
3 1/4" ALUM.
FRAME
EXTENDER
SCALE: 3" = 1'-0"



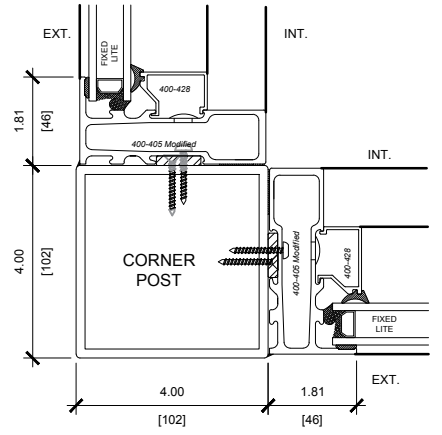
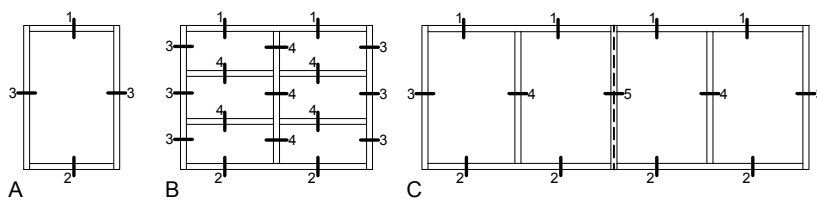
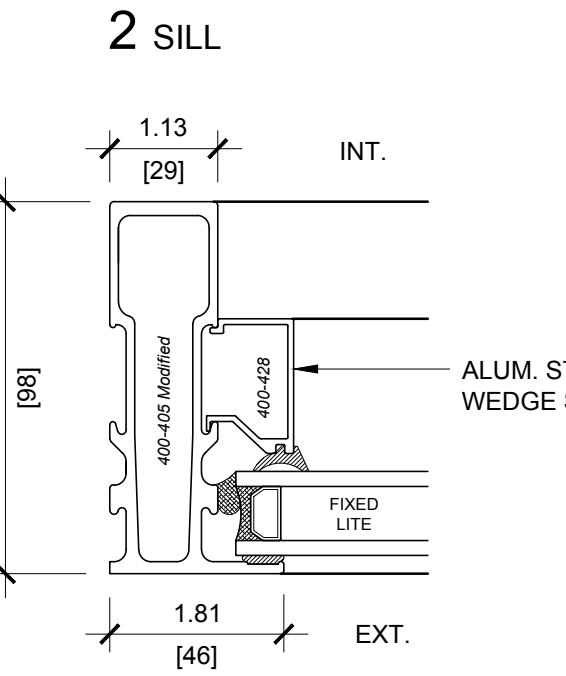
OPTION: INTEGRATES WITH
SERIES 300 INSWING WINDOW
(SHOWN) OR OUTSWING WINDOW
SCALE: 3" = 1'-0"



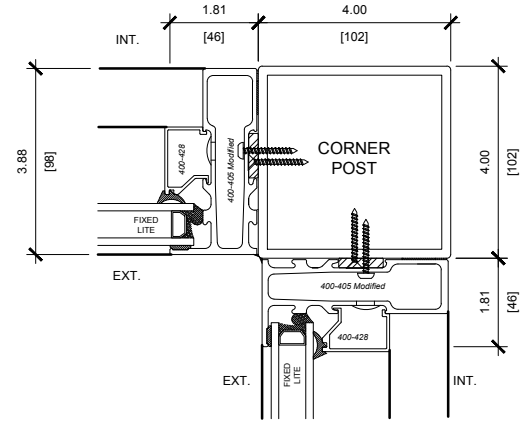
OPTION: INTEGRATES WITH
SERIES 301 INSWING DOOR
(SHOWN) OR 302 OUTSWING DOOR
SCALE: 3" = 1'-0"



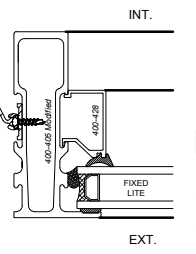
OPTION: INTEGRATES WITH
SERIES 325 OUTSWING WINDOW
SCALE: 3" = 1'-0"



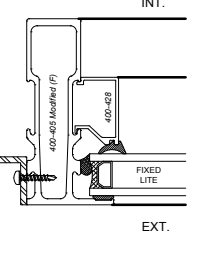
OPTION: OUTSIDE CORNER,
WITH FIBERGLASS POST
SCALE: 3" = 1'-0"



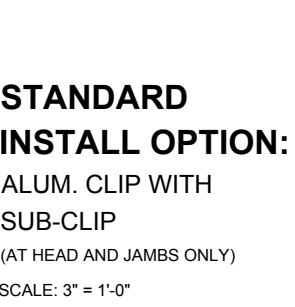
OPTION: INSIDE CORNER,
WITH FIBERGLASS POST
SCALE: 3" = 1'-0"



OPTION:
ALUMINUM
BRICK MOULD
SCALE: 3" = 1'-0"



INSTALL OPTION:
ALUM. FLANGE
(SEE TYP. INSTALL DETAILS)
SCALE: 3" = 1'-0"



**STANDARD
INSTALL OPTION:**
ALUM. CLIP WITH
SUB-CLIP
(AT HEAD AND JAMBS ONLY)
SCALE: 3" = 1'-0"

SEAL:

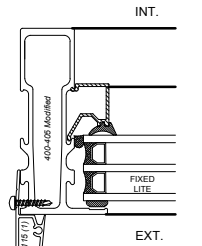
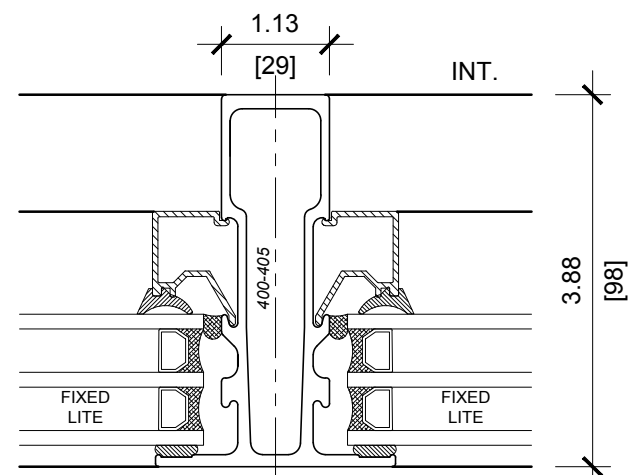
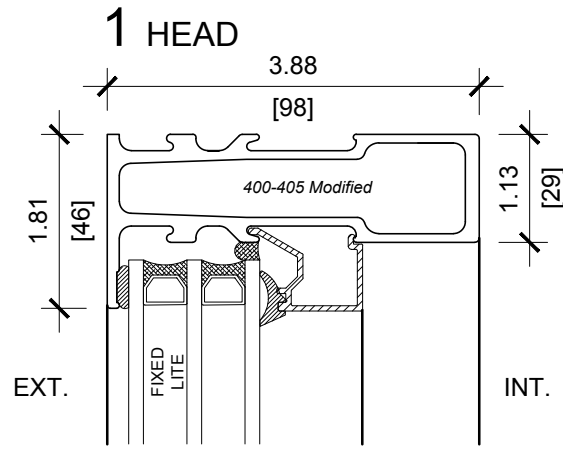
PROJECT TITLE:

**PROJECT NAME +
CONSULTANT**

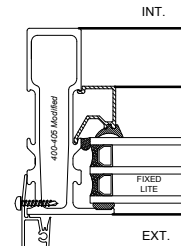
ISSUE	DESCRIPTION	DATE
1	REVISION 1	16 MAR, 2016

DRAWING
TITLE:
**SERIES 400 WINDOWS
STRIP WINDOW - TRIPLE GLAZING**

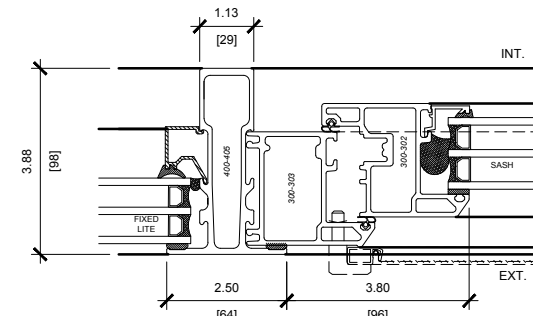
SCALE: 6" = 1'-0"	DRAWING NO.:
DATE:	S-400
DRAWN BY: CP	
CHECKED BY: GR	



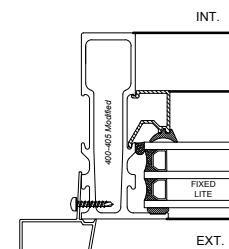
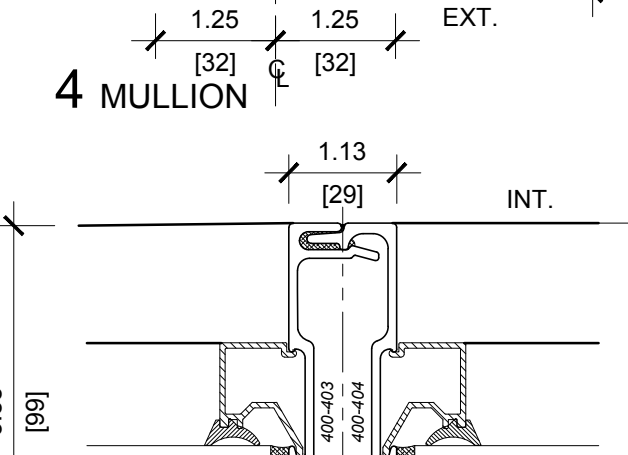
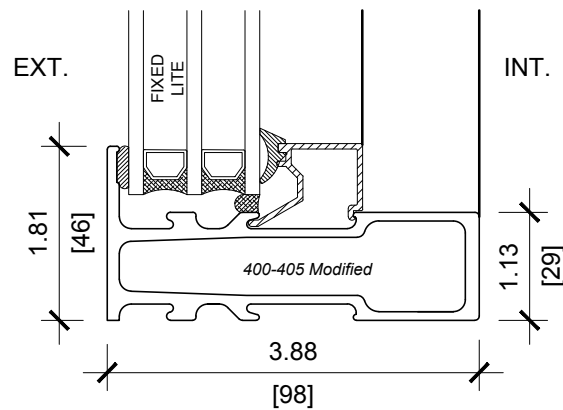
OPTION:
1 5/8" ALUM.
FRAME
EXTENDER
SCALE: 3" = 1'-0"



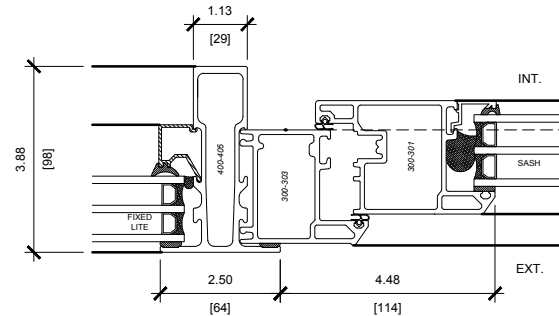
OPTION:
3 1/4" ALUM.
FRAME
EXTENDER
SCALE: 3" = 1'-0"



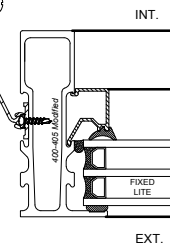
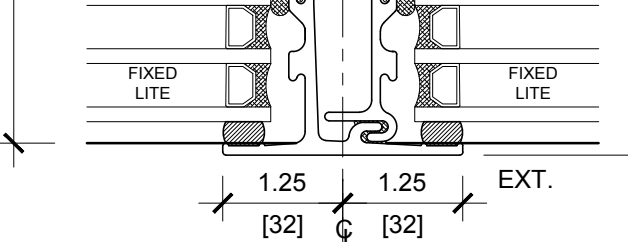
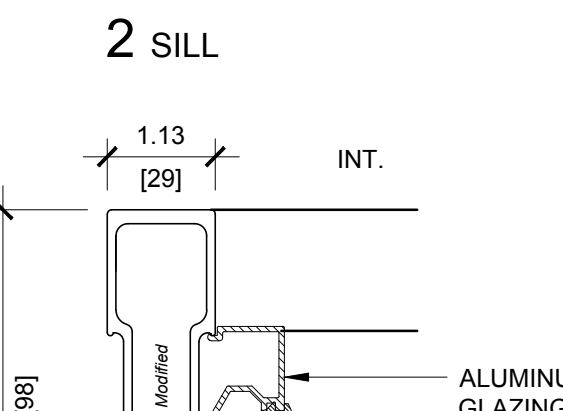
OPTION: INTEGRATES WITH
SERIES 300 INSWING WINDOW
(SHOWN) OR OUTSWING WINDOW
SCALE: 3" = 1'-0"



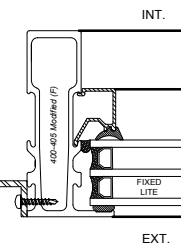
OPTION:
ALUMINUM
BRICK MOULD
SCALE: 3" = 1'-0"



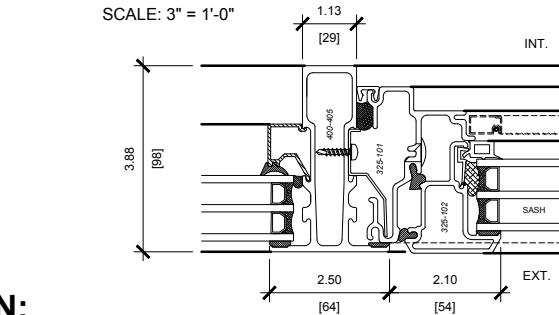
OPTION: INTEGRATES WITH
SERIES 301 INSWING DOOR
(SHOWN) OR 302 OUTSWING DOOR
SCALE: 3" = 1'-0"



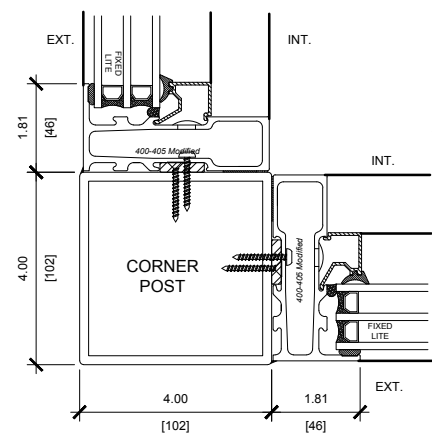
**STANDARD
INSTALL OPTION:**
ALUM. CLIP WITH
SUB-CLIP
(AT HEAD AND JAMBS ONLY)
SCALE: 3" = 1'-0"



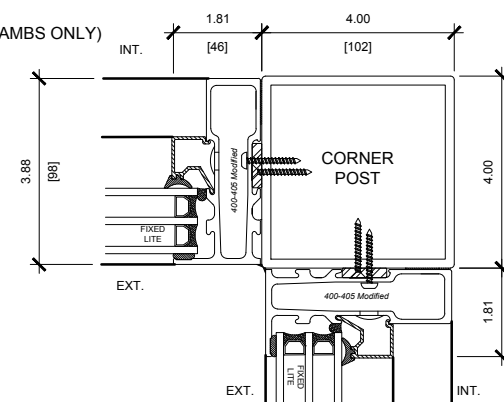
INSTALL OPTION:
ALUM. FLANGE
(SEE TYP. INSTALL DETAILS)
SCALE: 3" = 1'-0"



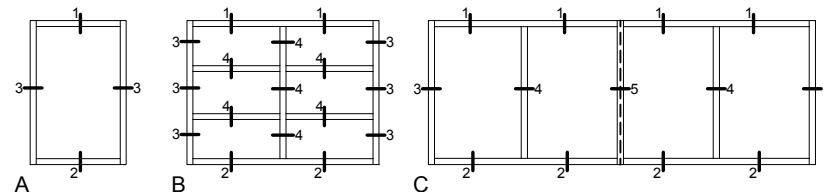
OPTION: INTEGRATES WITH
SERIES 325 OUTSWING WINDOW
SCALE: 3" = 1'-0"



OPTION: OUTSIDE CORNER,
WITH FIBERGLASS POST
SCALE: 3" = 1'-0"



OPTION: INSIDE CORNER,
WITH FIBERGLASS POST
SCALE: 3" = 1'-0"



SEAL:

PROJECT TITLE:

**PROJECT NAME +
CONSULTANT**

ISSUE	DESCRIPTION	DATE
1	REVISION 1	16 MAR, 2016

DRAWING
TITLE:

**SERIES 400 WINDOWS
STRIP WINDOW - TRIPLE GLAZING**

SCALE: 6" = 1'-0"

DATE:

DRAWN BY: CP

CHECKED BY: GR

DRAWING NO.:

S-400