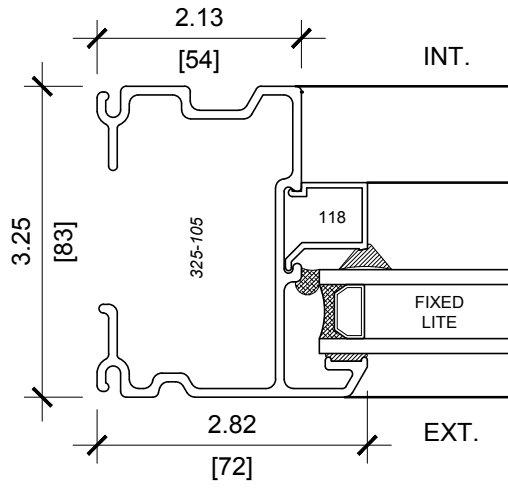
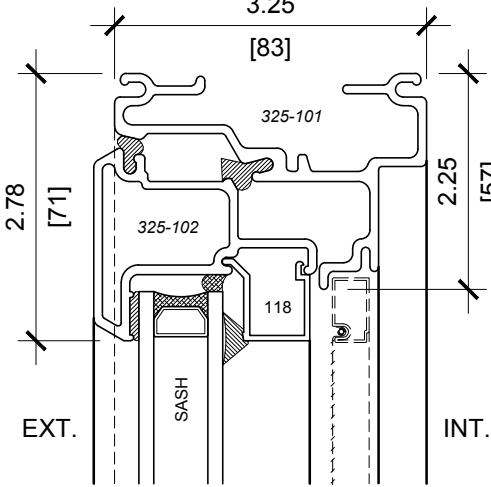
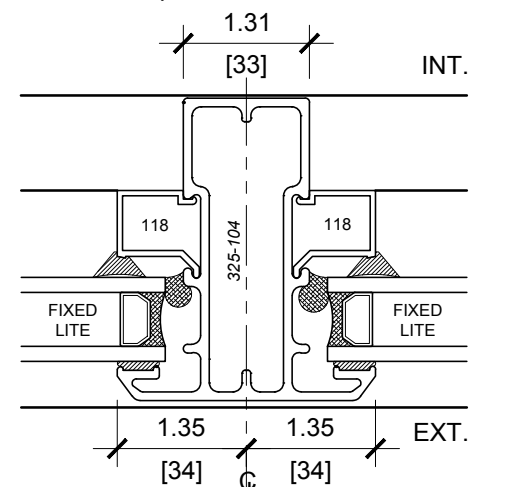
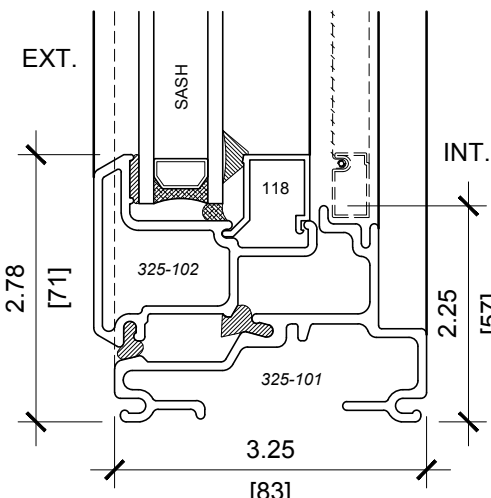


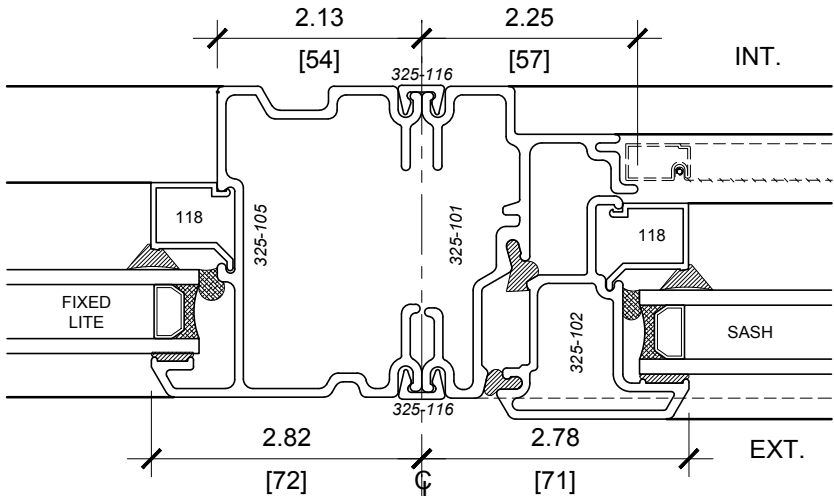
**1 HEAD AT SASH**



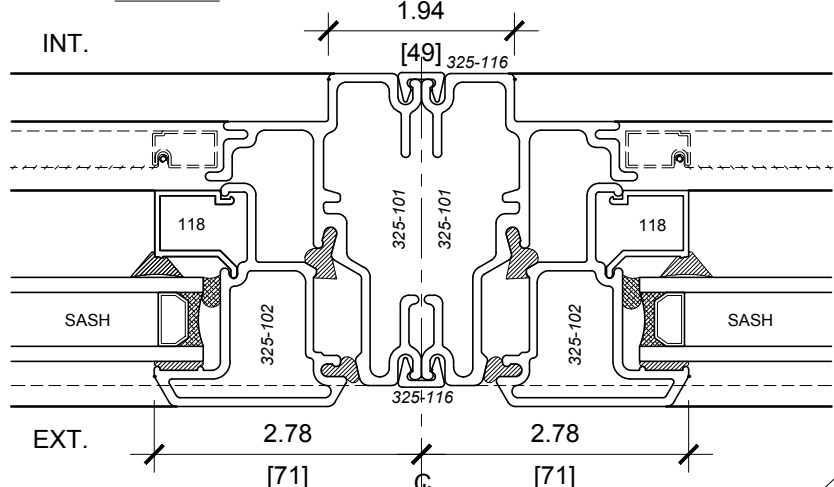
**4 WIDE PROFILE JAMB (HEAD AND SILL) AT FIXED LITE**



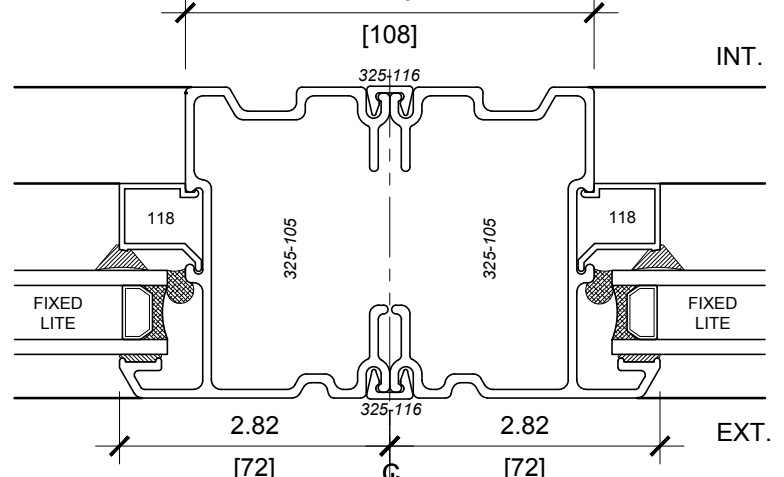
**5 MULLION**



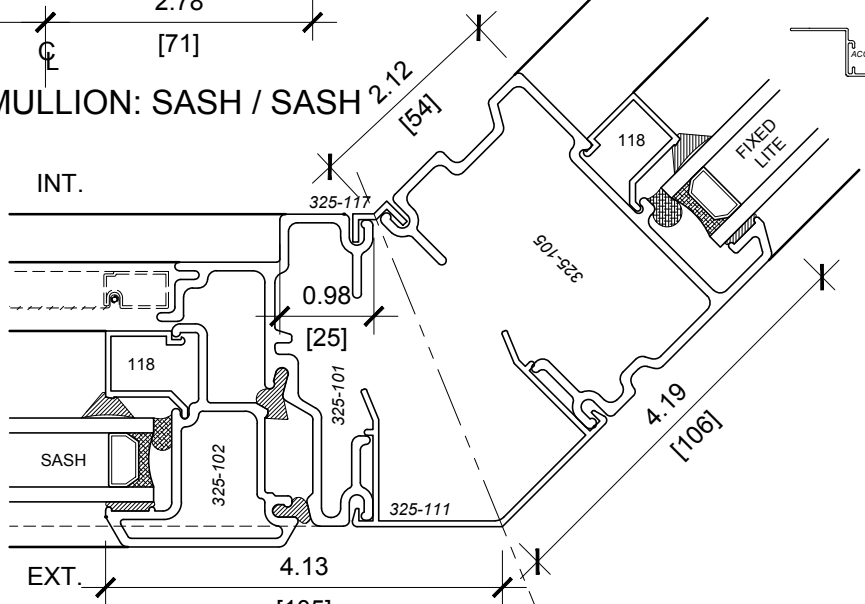
**6 COUPLED MULLION: WIDE FIXED / SASH**  
**NOTE: JAMB "4" OPTION SHOWN DASHED**



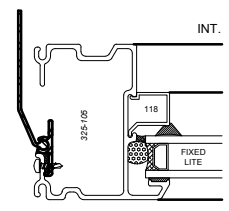
**7 COUPLED MULLION: SASH / SASH**



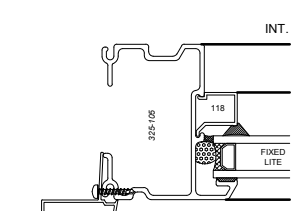
**8 COUPLED MULLION: FIXED / FIXED**



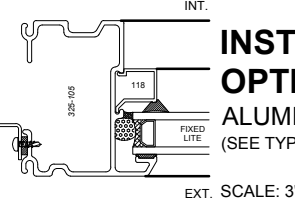
**9 135° OUTSIDE CORNER**



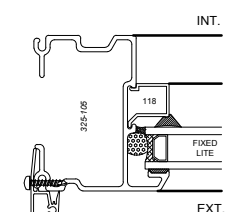
**INSTALL OPTION:**  
ALUM. CLIP WITH SUB-CLIP  
(AT HEAD AND JAMBS ONLY)  
SCALE: 3" = 1'-0"



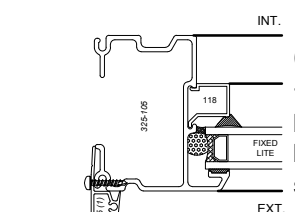
**OPTION:**  
ALUM. BRICK MOULD  
SCALE: 3" = 1'-0"



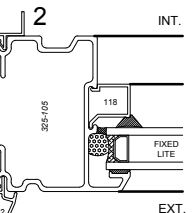
**INSTALL OPTION:**  
ALUMINUM FLANGE (SEE TYP. INSTALL DETAILS)  
EXT. SCALE: 3" = 1'-0"



**OPTION:**  
3 1/4" ALUM. FRAME EXTENDER  
SCALE: 3" = 1'-0"



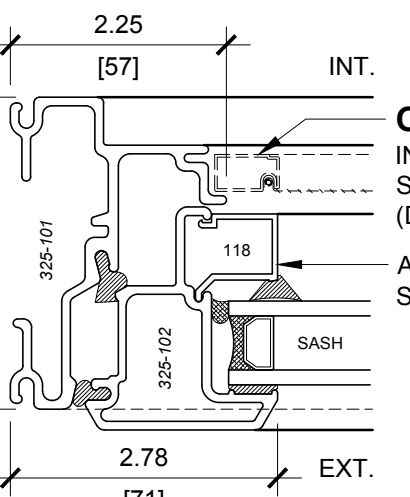
**OPTION:**  
1 5/8" ALUM. FRAME EXTENDER  
SCALE: 3" = 1'-0"



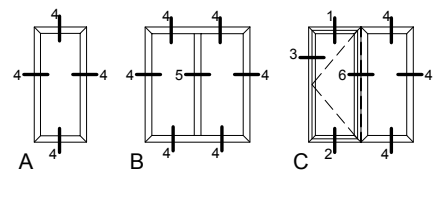
**OPTION:**  
1) ALUM. BRICK MOULD WITH FLANGE.  
2) PVC DRYWALL ADAPTER  
SCALE: 3" = 1'-0"

**OPTION:**  
INSECT SCREEN (DASHED)  
ALUMINUM STOP

**2 SILL AT SASH**



**3 JAMB AT SASH**



SEAL:

PROJECT TITLE:

**PROJECT NAME + CONSULTANT**

ISSUE	DESCRIPTION	DATE
1	REVISION 1	13 JAN, 2009
2	REVISION 2	30 JAN, 2009
3	REVISION 3	3 JUN, 2010
4	REVISION 4	24 NOV, 2015
5	REVISION 5	16 MAR, 2016

DRAWING TITLE:

**SERIES 325 WINDOWS**  
OUTSWING CASEMENT AND AWNING

SCALE: 6" = 1'-0"

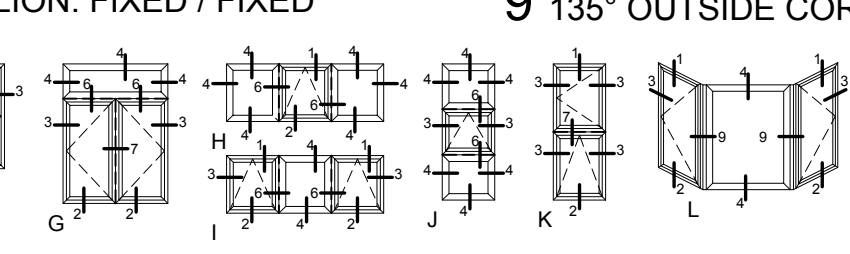
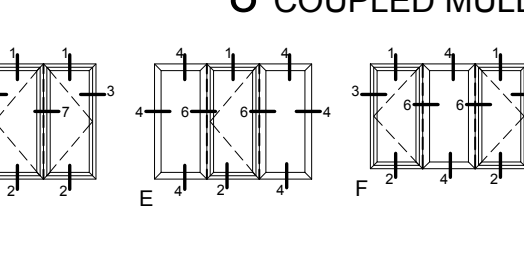
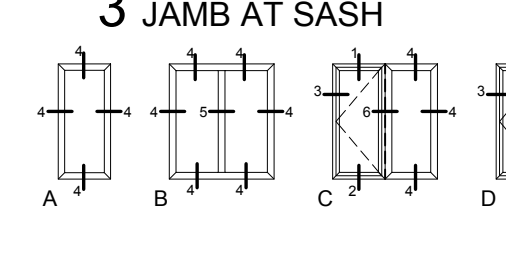
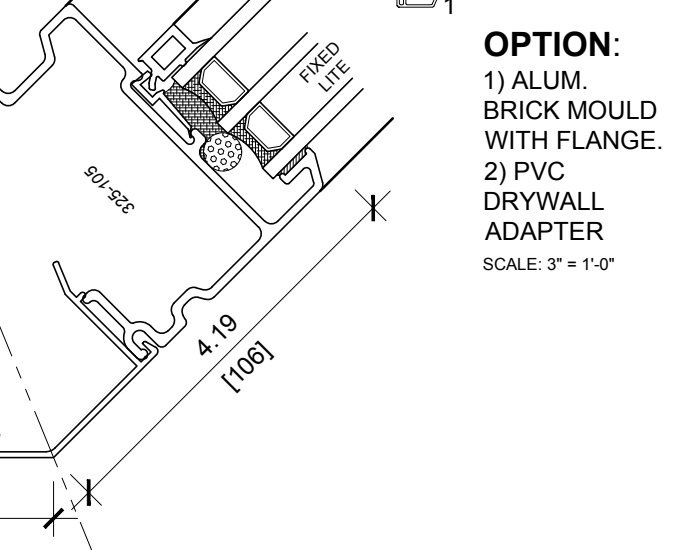
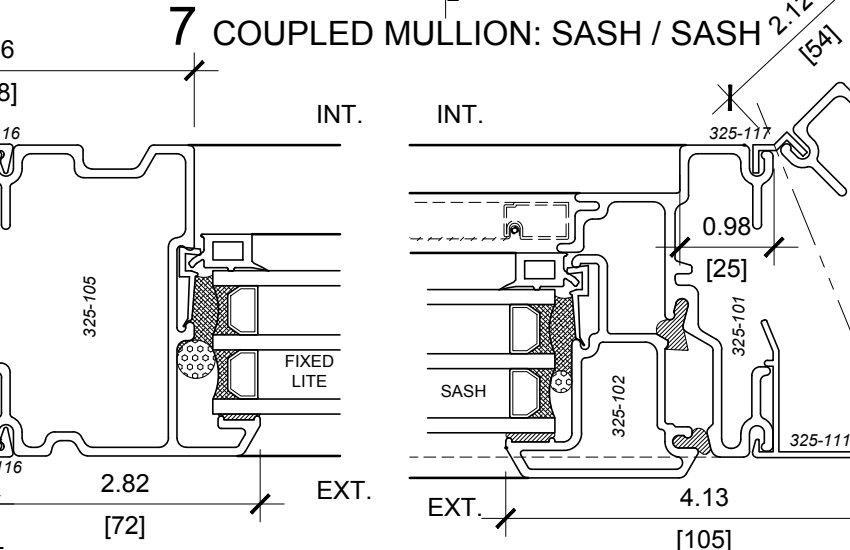
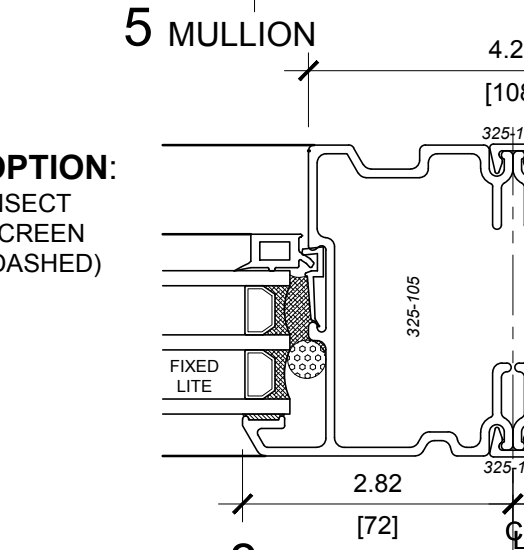
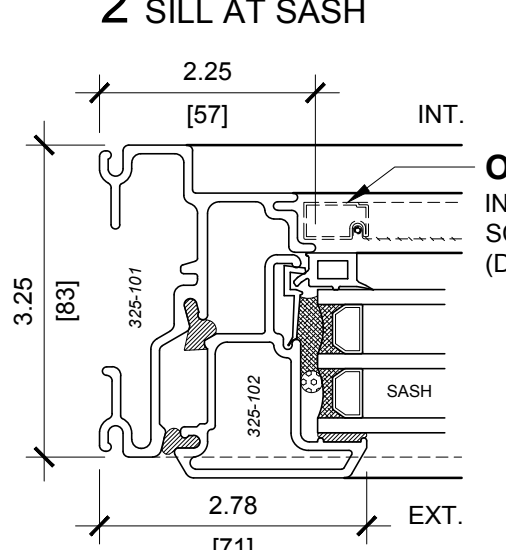
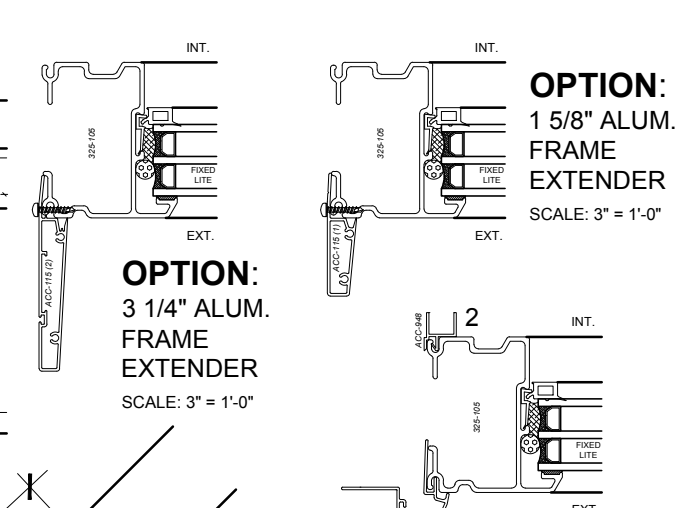
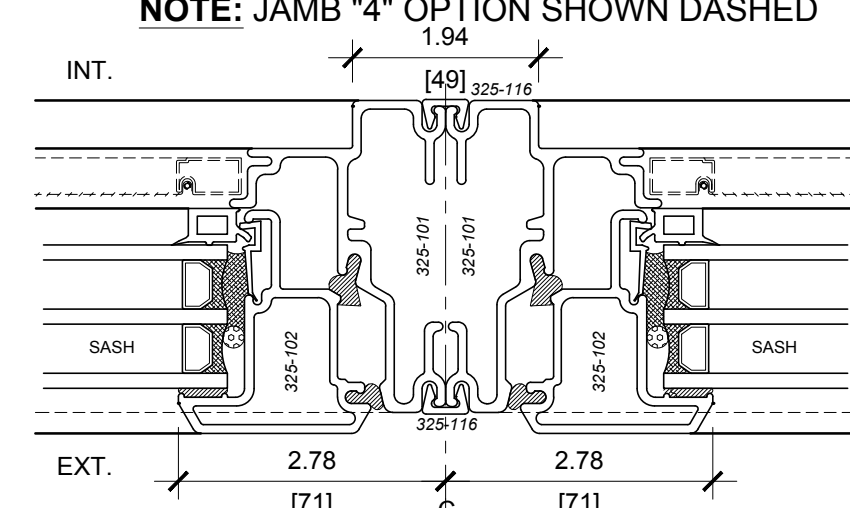
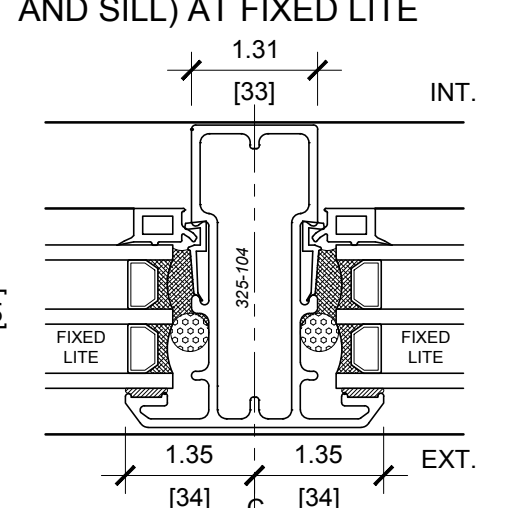
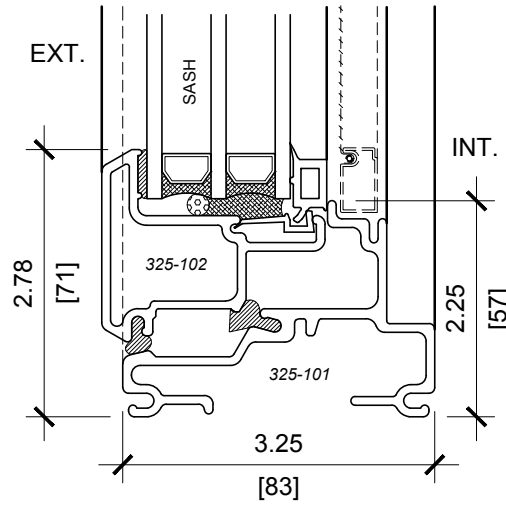
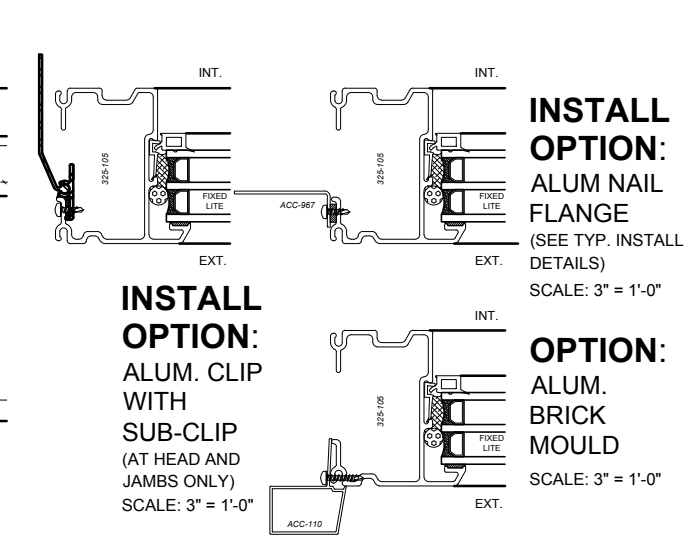
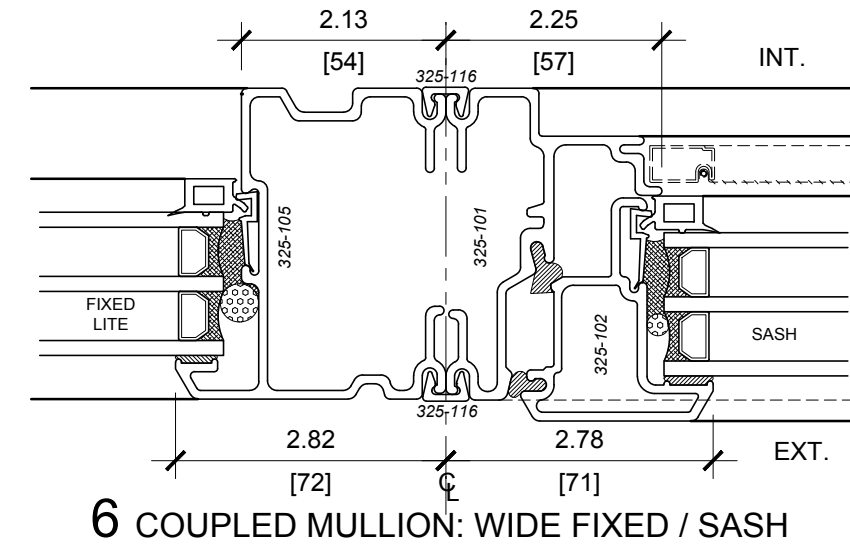
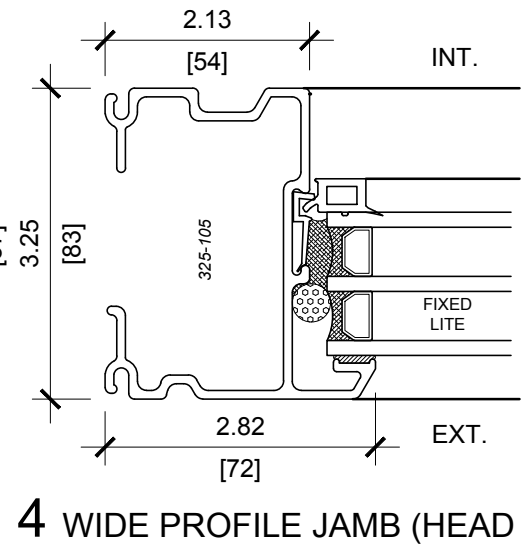
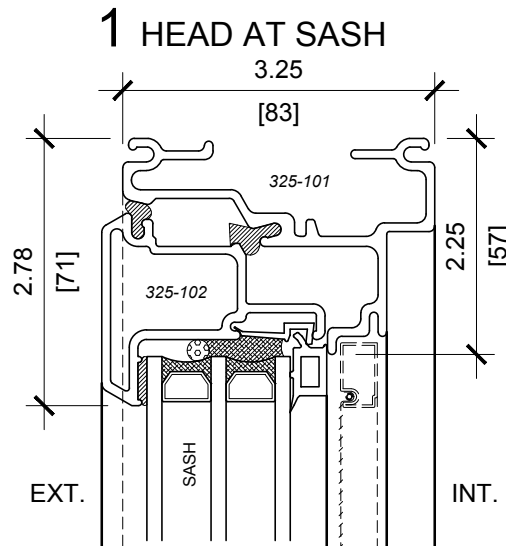
DATE:

DRAWN BY: CP

CHECKED BY: MJB

DRAWING NO.:

**S-325**



**OPTION:**  
INSECT  
SCREEN  
(DASHED)

SEAL:

PROJECT TITLE:

**PROJECT NAME +  
CONSULTANT**

ISSUE	DESCRIPTION	DATE
1	REVISION 1	13 JAN, 2009
2	REVISION 2	30 JAN, 2009
3	REVISION 3	3 JUN, 2010
4	REVISION 4	24 NOV, 2015
5	REVISION 5	16 MAR, 2016

DRAWING  
TITLE:

**SERIES 325 WINDOWS  
OUTSWING CASEMENT AND  
AWNING**

SCALE: 6" = 1'-0"

DATE:

DRAWN BY: CP

CHECKED BY: MJB

DRAWING NO.:

**S-325**