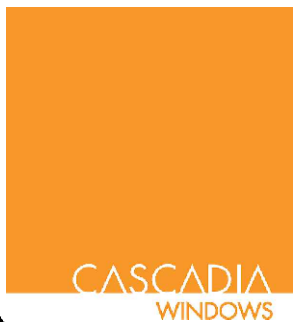


NOTE: THIS DETAIL IS FOR GENERAL ARRANGEMENT PURPOSES ONLY, AND DOES NOT NECESSARILY REPRESENT A DETAIL THAT IS APPROPRIATE FOR A SPECIFIC PROJECT. PRODUCTS AND ACCESSORIES PROVIDED BY CASCADIA MUST BE CONFIRMED FOR SPECIFIC PROJECTS.

SECTION

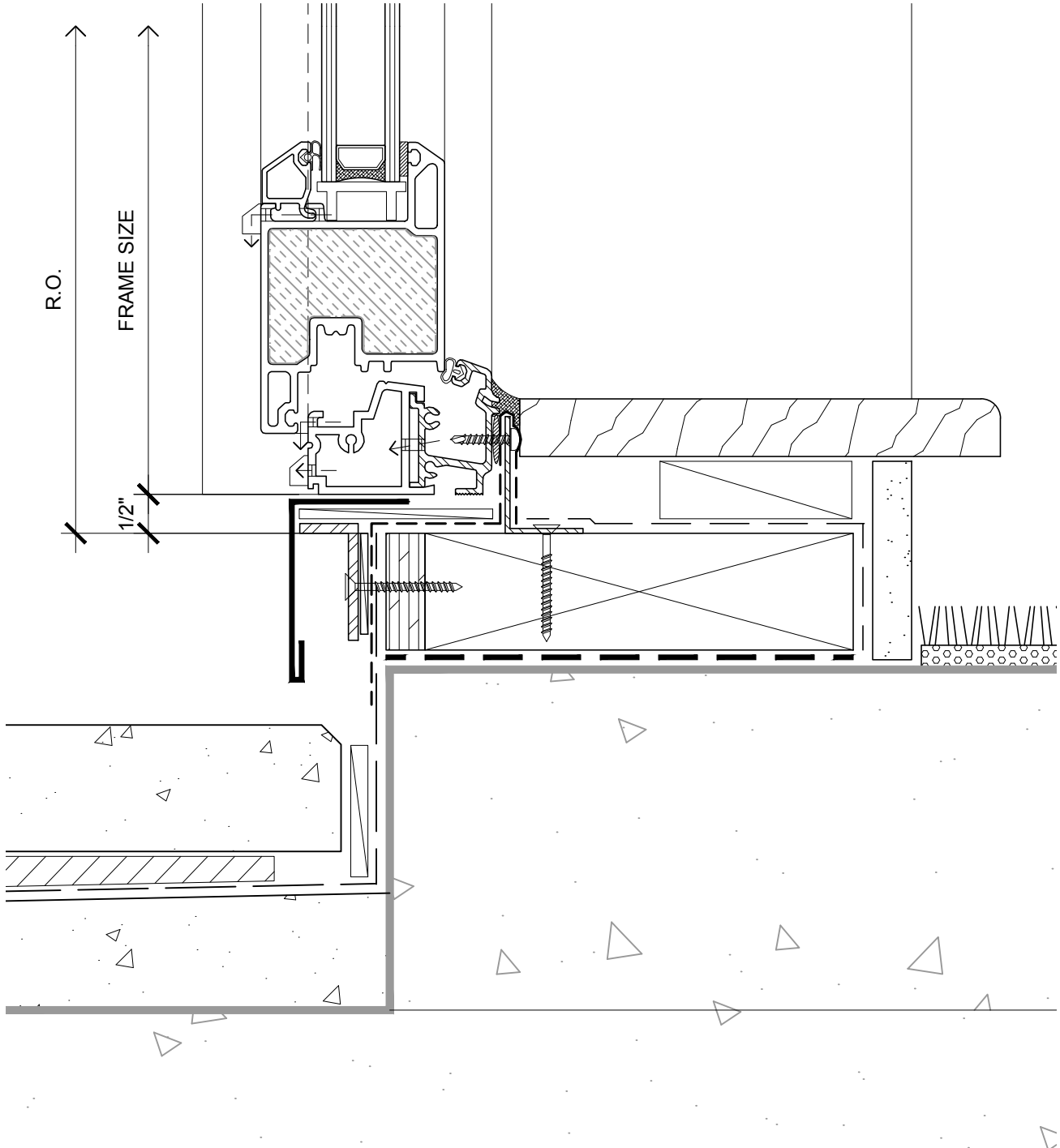
NOTE: SUB-CLIPS AND ANCHOR CLIPS AT HEAD AND JAMBS ARE INTERMITTENT

November 19 2015, 12:31 PM



CASCADIA WINDOWS LTD.
 2780 GLOUCESTER WAY
 LANGLEY, BC CANADA, V4W 3Y6

SERIES: SERIES 302 OUTSWING DOOR WITH CLIPS [CL] AND INTERIOR SILL ANGLE			DRAWING NO.: 302CL(C)-1.01
DRAWING TITLE: TYPICAL DOOR HEAD RAINSCREEN WALL ASSEMBLY, CEMENT BOARD CLADDING (C)			PROJECT NO.: -
ISSUE	DESCRIPTION	DATE	SCALE: 6" = 1'-0"
1	VERSION 1	13 JAN, 2009	DATE: 13 JAN, 2009
2	VERSION 2	30 JAN, 2009	DRAWN BY: RK
			CHECKED BY: -

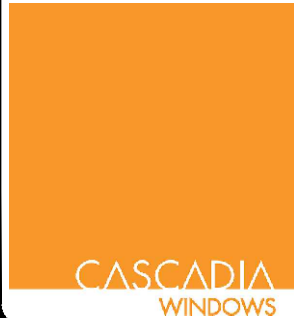


NOTE: THIS DETAIL IS FOR GENERAL ARRANGEMENT PURPOSES ONLY, AND DOES NOT NECESSARILY REPRESENT A DETAIL THAT IS APPROPRIATE FOR A SPECIFIC PROJECT. PRODUCTS AND ACCESSORIES PROVIDED BY CASCADIA MUST BE CONFIRMED FOR SPECIFIC PROJECTS.

SECTION

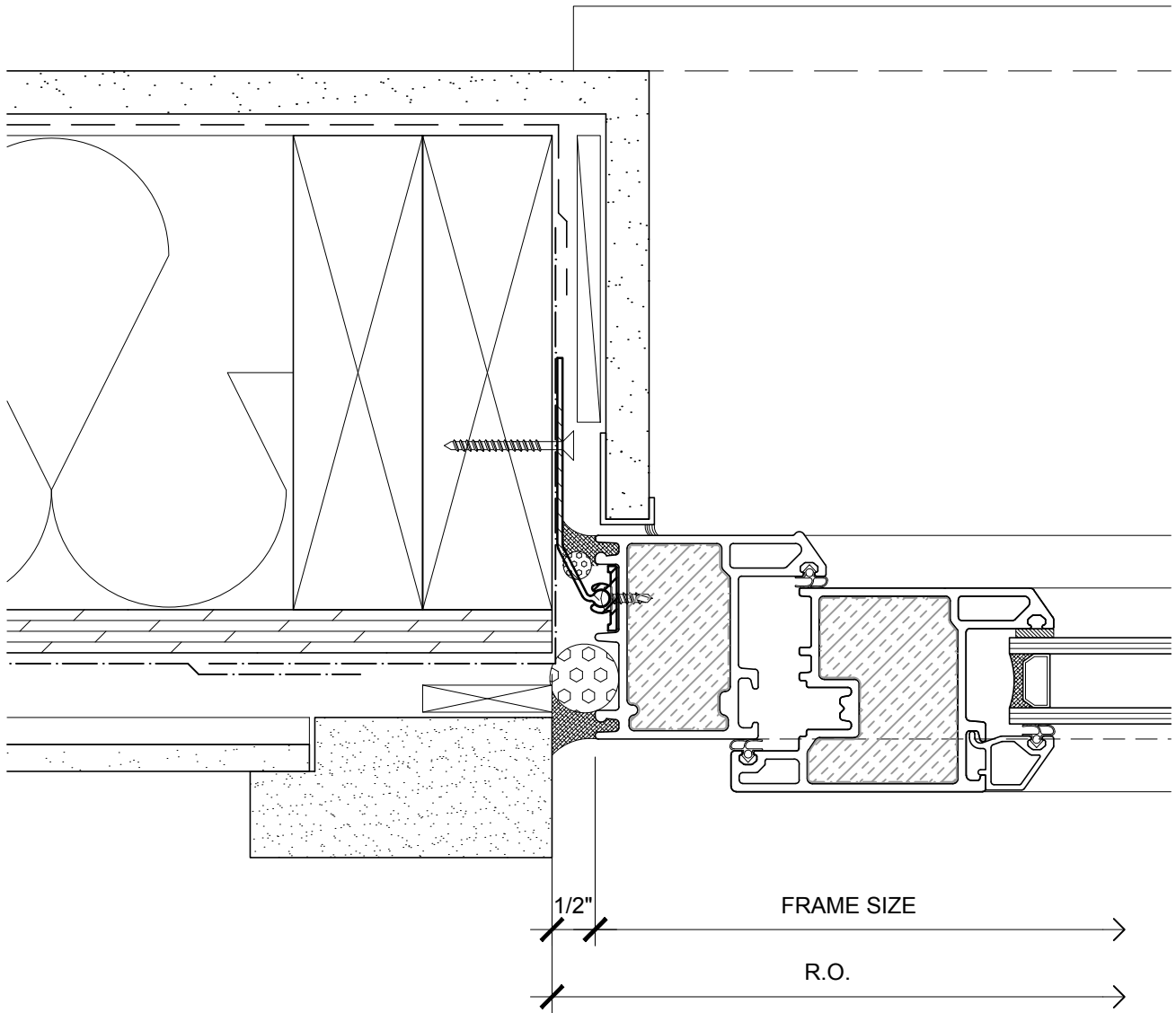
NOTE: PROVIDE WATERPROOF SUB-SILL WITH POSITIVE DRAINAGE TO EXTERIOR

November 19 2015 12:31 PM



CASCADIA WINDOWS LTD.
 2780 GLOUCESTER WAY
 LANGLEY, BC CANADA, V4W 3Y6

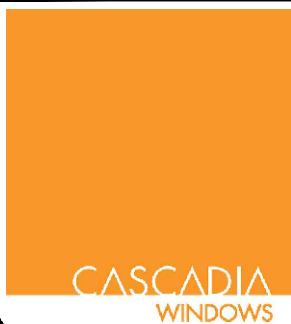
SERIES:		SERIES 302 OUTSWING DOOR WITH CLIPS [CL] AND INTERIOR SILL ANGLE		DRAWING NO.:	302CL(C)-1.02
DRAWING TITLE:		TYPICAL DOOR THRESHOLD RAINSCREEN WALL ASSEMBLY, CEMENT BOARD CLADDING (C)		PROJECT NO.:	-
ISSUE	DESCRIPTION	DATE	SCALE:	6" = 1'-0"	
1	VERSION 1	13 JAN, 2009	DATE:	13 JAN, 2009	
2	VERSION 2	30 JAN, 2009	DRAWN BY:	RK	
			CHECKED BY:	-	



NOTE: THIS DETAIL IS FOR GENERAL ARRANGEMENT PURPOSES ONLY, AND DOES NOT NECESSARILY REPRESENT A DETAIL THAT IS APPROPRIATE FOR A SPECIFIC PROJECT. PRODUCTS AND ACCESSORIES PROVIDED BY CASCADIA MUST BE CONFIRMED FOR SPECIFIC PROJECTS.

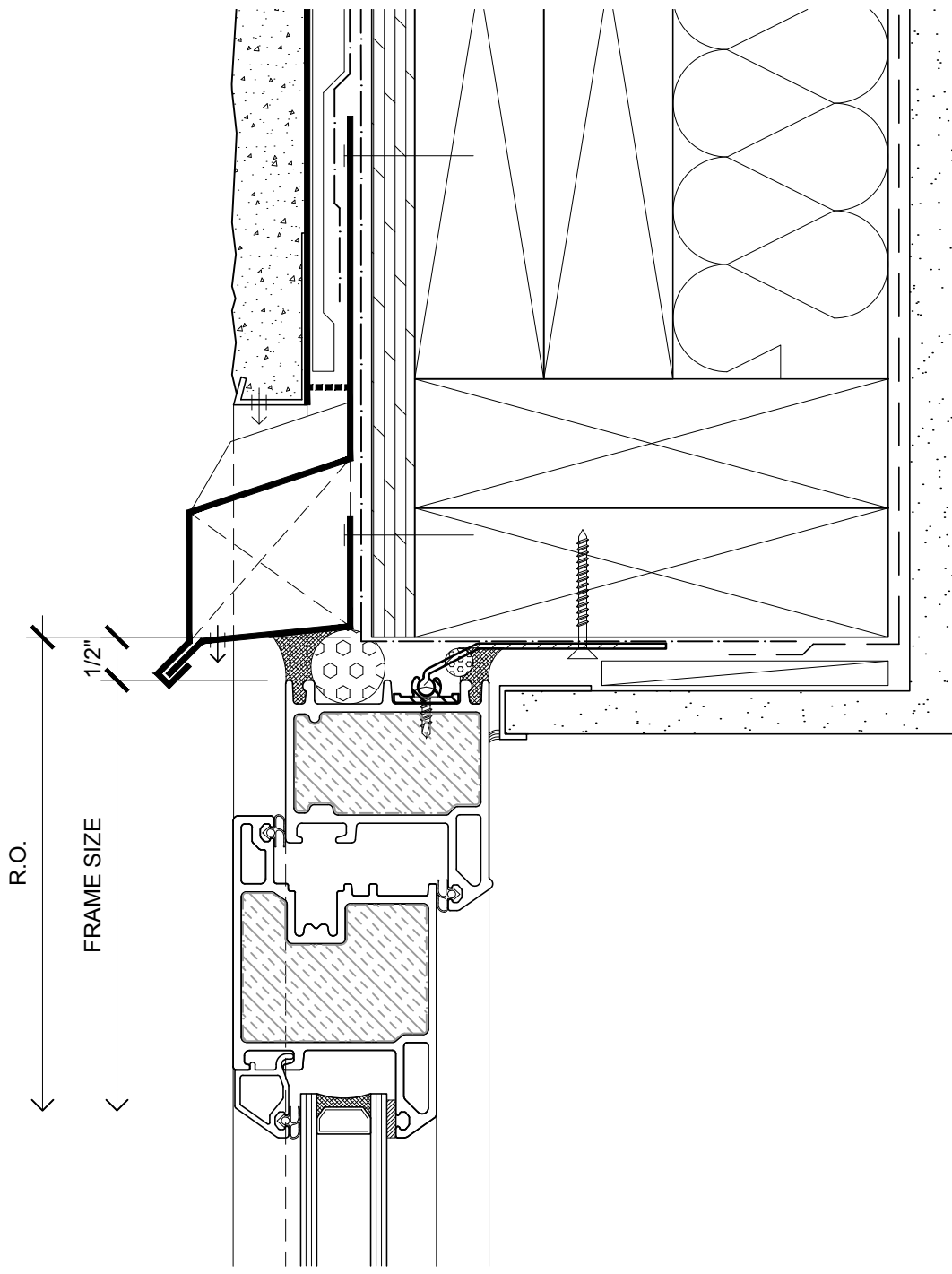
PLAN

NOTE: COMPATIBLE WITH RETRACTABLE TYPE INSECT SCREENS. BRICK MOULD TRIM AND FRAME EXTENDER TRIM AVAILABLE



CASCADIA WINDOWS LTD.
2780 GLOUCESTER WAY
LANGLEY, BC CANADA, V4W 3Y6

SERIES: SERIES 302 OUTSWING DOOR WITH CLIPS [CL] AND INTERIOR SILL ANGLE			DRAWING NO.: 302CL(C)-1.03
DRAWING TITLE: TYPICAL DOOR JAMB RAINSCREEN WALL ASSEMBLY, CEMENT BOARD CLADDING (C)			PROJECT NO.: -
ISSUE	DESCRIPTION	DATE	SCALE: 6" = 1'-0"
1	VERSION 1	13 JAN, 2009	DATE: 13 JAN, 2009
2	VERSION 2	30 JAN, 2009	DRAWN BY: RK
			CHECKED BY: -

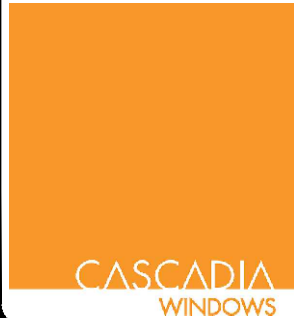


NOTE: THIS DETAIL IS FOR GENERAL ARRANGEMENT PURPOSES ONLY, AND DOES NOT NECESSARILY REPRESENT A DETAIL THAT IS APPROPRIATE FOR A SPECIFIC PROJECT. PRODUCTS AND ACCESSORIES PROVIDED BY CASCADIA MUST BE CONFIRMED FOR SPECIFIC PROJECTS.

SECTION

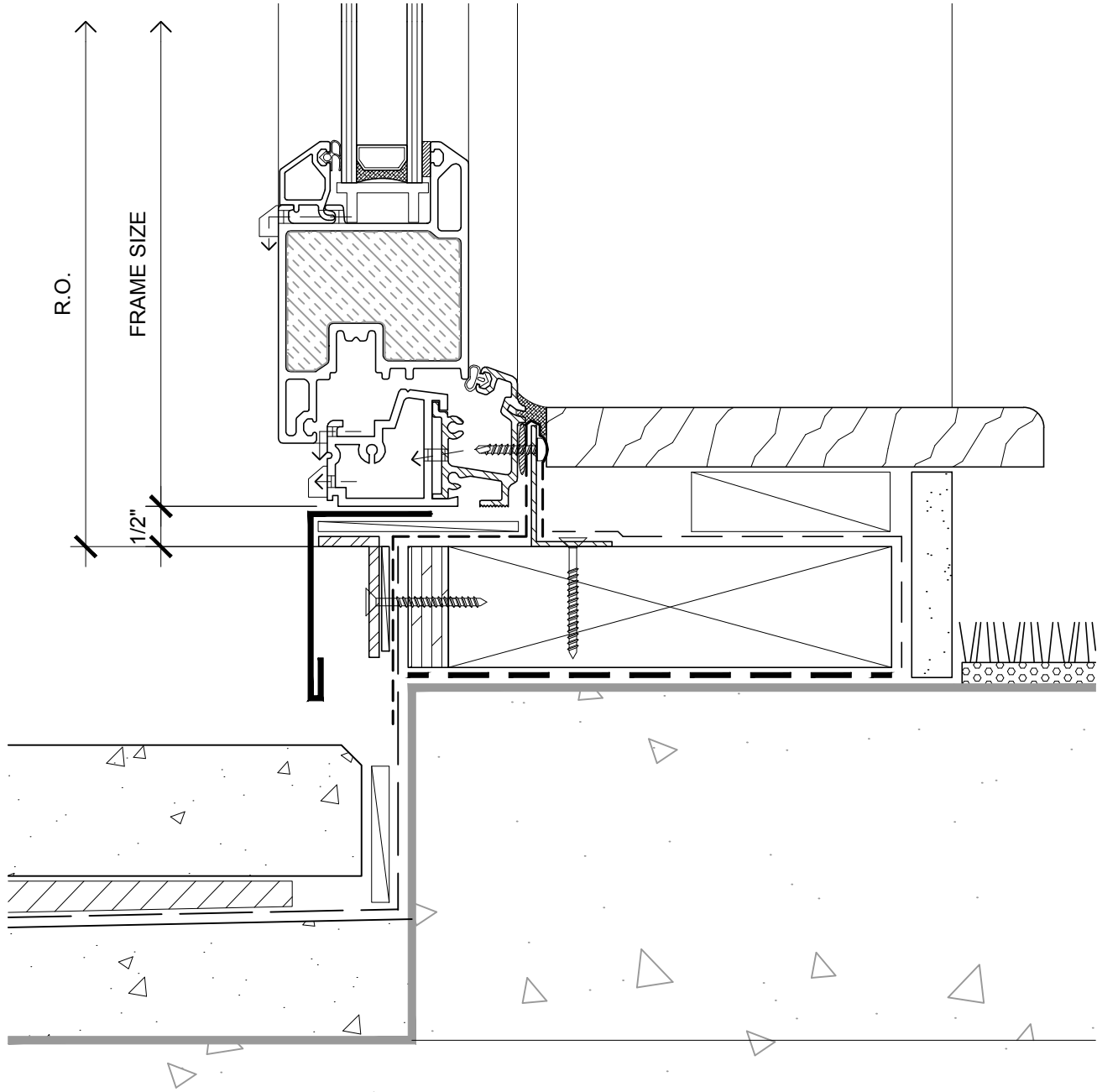
NOTE: SUB-CLIPS AND ANCHOR CLIPS AT HEAD AND JAMBS ARE INTERMITTENT

November 19 2015, 12:31 PM



CASCADIA WINDOWS LTD.
 2780 GLOUCESTER WAY
 LANGLEY, BC CANADA, V4W 3Y6

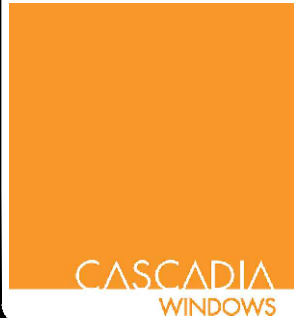
SERIES: SERIES 302 OUTSWING DOOR WITH CLIPS [CL] AND INTERIOR SILL ANGLE			DRAWING NO.: 302CL(S)-1.01
DRAWING TITLE: TYPICAL DOOR HEAD RAINSCREEN WALL ASSEMBLY, STUCCO CLADDING (S)			PROJECT NO.: -
ISSUE	DESCRIPTION	DATE	SCALE: 6" = 1'-0"
1	VERSION 1	13 JAN, 2009	DATE: 13 JAN, 2009
2	VERSION 2	30 JAN, 2009	DRAWN BY: RK
			CHECKED BY: -



NOTE: THIS DETAIL IS FOR GENERAL ARRANGEMENT PURPOSES ONLY, AND DOES NOT NECESSARILY REPRESENT A DETAIL THAT IS APPROPRIATE FOR A SPECIFIC PROJECT. PRODUCTS AND ACCESSORIES PROVIDED BY CASCADIA MUST BE CONFIRMED FOR SPECIFIC PROJECTS.

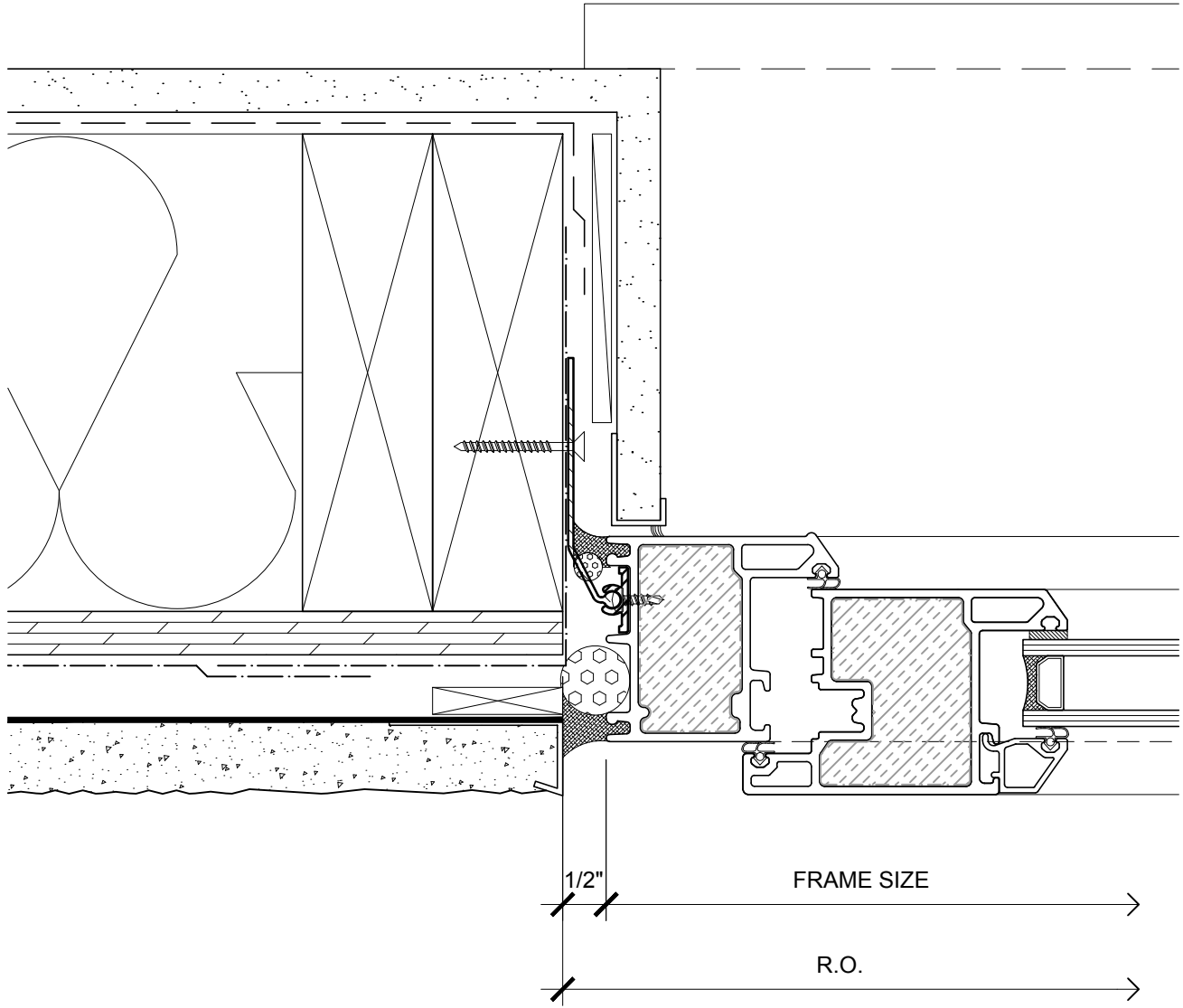
SECTION

NOTE: PROVIDE WATERPROOF SUB-SILL WITH POSITIVE DRAINAGE TO EXTERIOR



CASCADIA WINDOWS LTD.
 2780 GLOUCESTER WAY
 LANGLEY, BC CANADA, V4W 3Y6

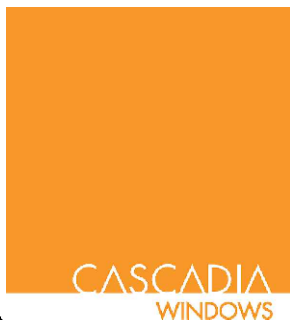
SERIES: SERIES 302 OUTSWING DOOR WITH CLIPS [CL] AND INTERIOR SILL ANGLE			DRAWING NO.: 302CL(S)-1.02
DRAWING TITLE: TYPICAL DOOR THRESHOLD RAINSCREEN WALL ASSEMBLY, STUCCO CLADDING (S)			PROJECT NO.: -
ISSUE	DESCRIPTION	DATE	SCALE: 6" = 1'-0"
1	VERSION 1	13 JAN, 2009	DATE: 13 JAN, 2009
2	VERSION 2	30 JAN, 2009	DRAWN BY: RK
			CHECKED BY: -



NOTE: THIS DETAIL IS FOR GENERAL ARRANGEMENT PURPOSES ONLY, AND DOES NOT NECESSARILY REPRESENT A DETAIL THAT IS APPROPRIATE FOR A SPECIFIC PROJECT. PRODUCTS AND ACCESSORIES PROVIDED BY CASCADIA MUST BE CONFIRMED FOR SPECIFIC PROJECTS.

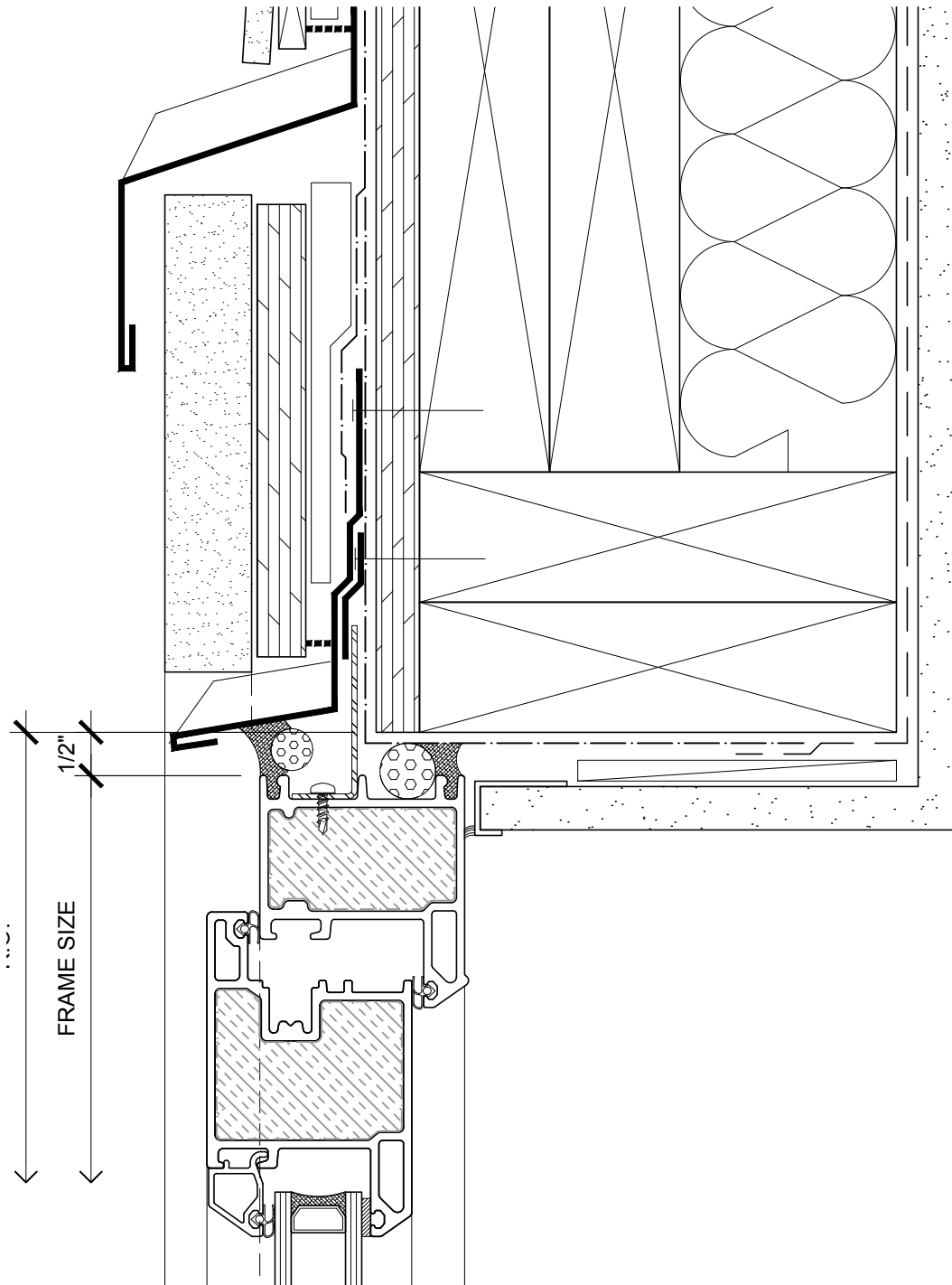
PLAN

NOTE: COMPATIBLE WITH RETRACTABLE TYPE INSECT SCREENS. BRICK MOULD TRIM AND FRAME EXTENDER TRIM AVAILABLE



CASCADIA WINDOWS LTD.
2780 GLOUCESTER WAY
LANGLEY, BC CANADA, V4W 3Y6

SERIES: SERIES 302 OUTSWING DOOR WITH CLIPS [CL] AND INTERIOR SILL ANGLE			DRAWING NO.: 302CL(S)-1.03
DRAWING TITLE: TYPICAL DOOR JAMB RAINSCREEN WALL ASSEMBLY, STUCCO CLADDING (S)			PROJECT NO.: -
ISSUE	DESCRIPTION	DATE	SCALE: 6" = 1'-0"
1	VERSION 1	13 JAN, 2009	DATE: 13 JAN, 2009
2	VERSION 2	30 JAN, 2009	DRAWN BY: RK
			CHECKED BY: -



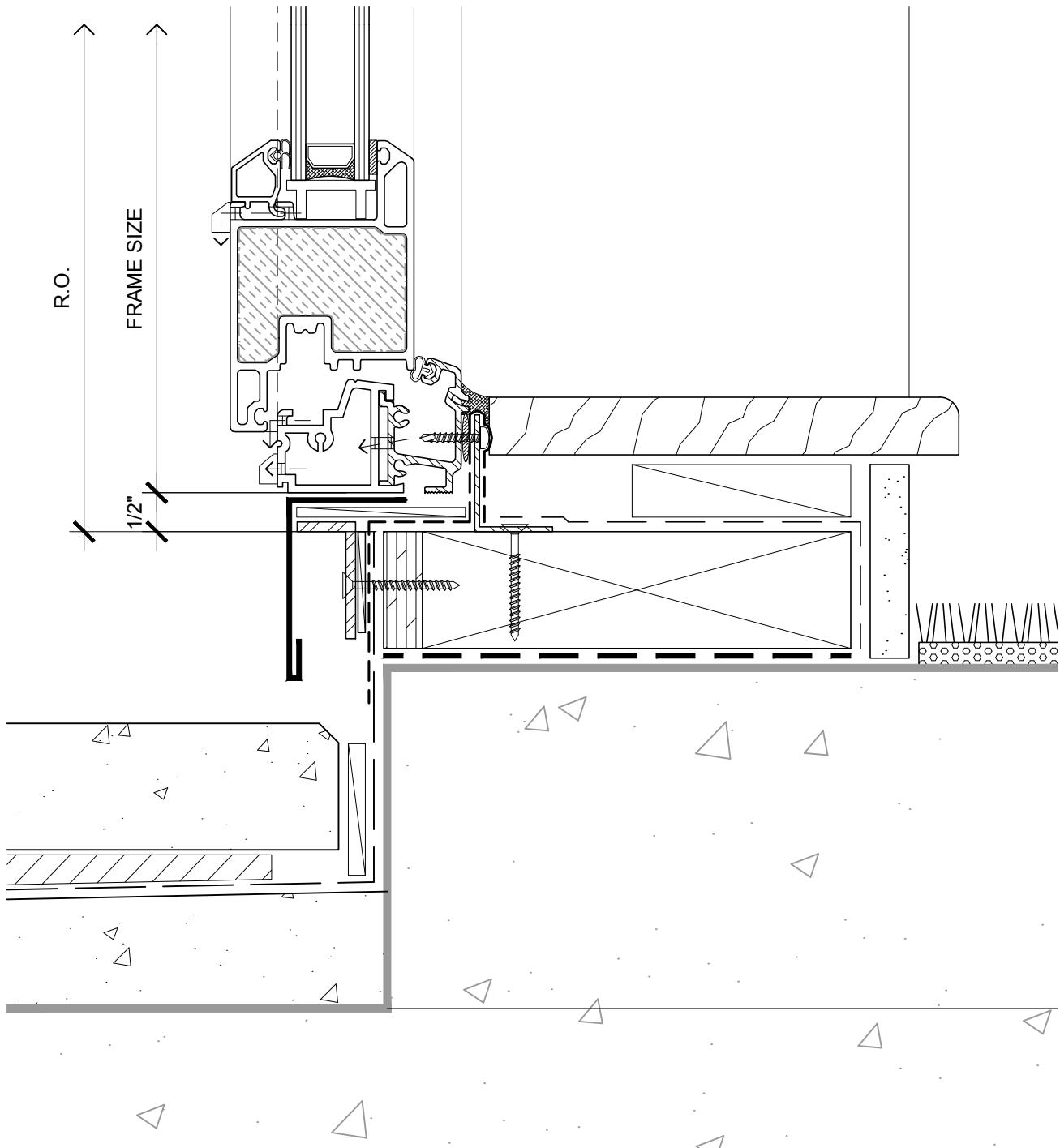
NOTE: THIS DETAIL IS FOR GENERAL ARRANGEMENT PURPOSES ONLY, AND DOES NOT NECESSARILY REPRESENT A DETAIL THAT IS APPROPRIATE FOR A SPECIFIC PROJECT. PRODUCTS AND ACCESSORIES PROVIDED BY CASCADIA MUST BE CONFIRMED FOR SPECIFIC PROJECTS.

SECTION



CASCADIA WINDOWS LTD.
2780 GLOUCESTER WAY
LANGLEY, BC CANADA, V4W 3Y5

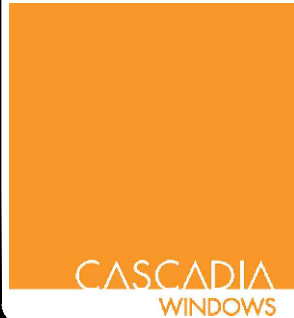
SERIES:			SERIES 302 OUTSWING DOOR WITH FLANGE [FL] AND INTERIOR SILL ANGLE		DRAWING NO.:	302FL(C)-1.01
DRAWING TITLE:			TYPICAL DOOR HEAD RAINSCREEN WALL ASSEMBLY, CEMENT BOARD CLADDING (C)		PROJECT NO.:	-
ISSUE	DESCRIPTION	DATE	SCALE:	6" = 1'-0"		
1	VERSION 1	13 JAN, 2009	DATE:	13 JAN, 2009		
2	VERSION 2	30 JAN, 2009	DRAWN BY:	RK		
			CHECKED BY:	-		



NOTE: THIS DETAIL IS FOR GENERAL ARRANGEMENT PURPOSES ONLY, AND DOES NOT NECESSARILY REPRESENT A DETAIL THAT IS APPROPRIATE FOR A SPECIFIC PROJECT. PRODUCTS AND ACCESSORIES PROVIDED BY CASCADIA MUST BE CONFIRMED FOR SPECIFIC PROJECTS.

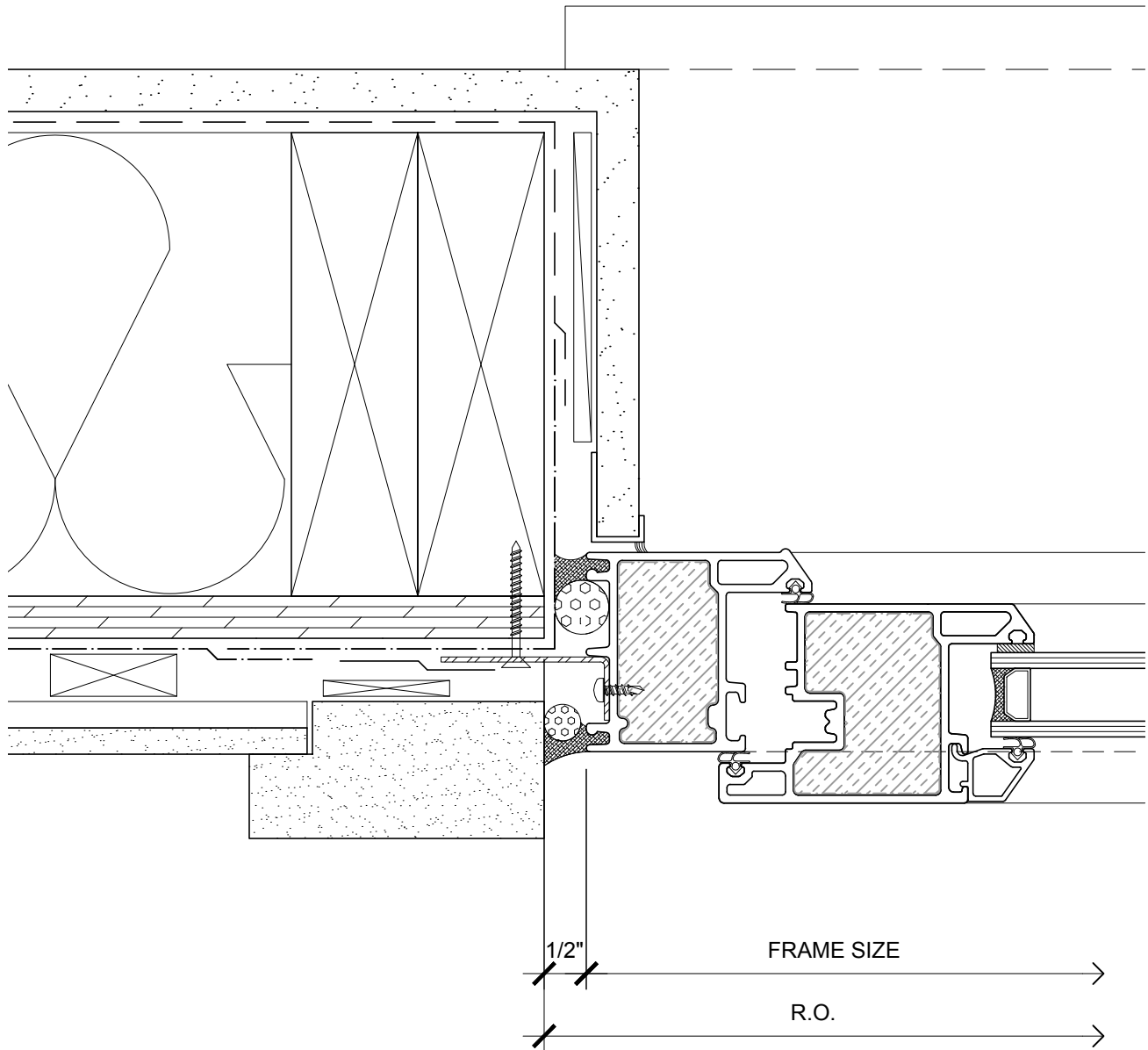
SECTION

NOTE: PROVIDE WATERPROOF SUB-SILL WITH POSITIVE DRAINAGE TO EXTERIOR



CASCADIA WINDOWS LTD.
 2780 GLOUCESTER WAY
 LANGLEY, BC CANADA, V4W 3Y6

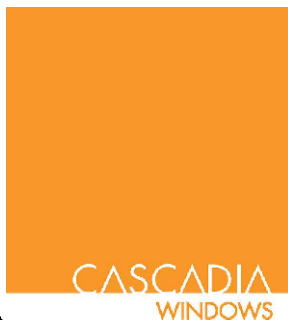
SERIES:		SERIES 302 OUTSWING DOOR WITH FLANGE [FL] AND INTERIOR SILL ANGLE		DRAWING NO.:		302FL(C)-1.02		
DRAWING TITLE:		TYPICAL DOOR THRESHOLD RAINSCREEN WALL ASSEMBLY, CEMENT BOARD CLADDING (C)				PROJECT NO.:		-
ISSUE	DESCRIPTION	DATE	SCALE:	6" = 1'-0"				
1	VERSION 1	13 JAN, 2009	DATE:	13 JAN, 2009				
2	VERSION 2	30 JAN, 2009	DRAWN BY:	RK				
			CHECKED BY:	-				



NOTE: THIS DETAIL IS FOR GENERAL ARRANGEMENT PURPOSES ONLY, AND DOES NOT NECESSARILY REPRESENT A DETAIL THAT IS APPROPRIATE FOR A SPECIFIC PROJECT. PRODUCTS AND ACCESSORIES PROVIDED BY CASCADIA MUST BE CONFIRMED FOR SPECIFIC PROJECTS.

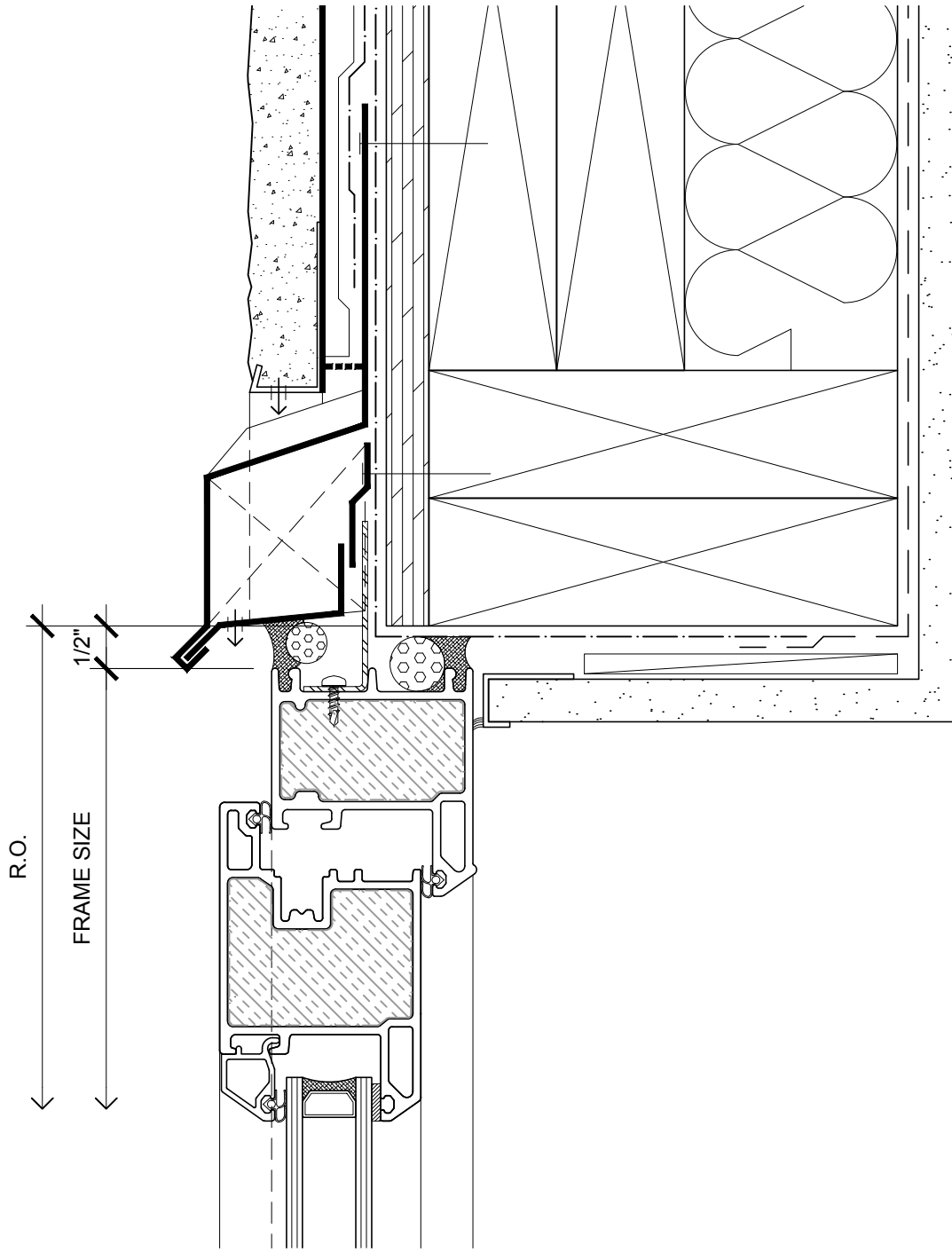
PLAN

NOTE: COMPATIBLE WITH RETRACTABLE TYPE INSECT SCREENS. BRICK MOULD TRIM AND FRAME EXTENDER TRIM AVAILABLE



CASCADIA WINDOWS LTD.
2780 GLOUCESTER WAY
LANGLEY, BC CANADA, V4W 3Y6

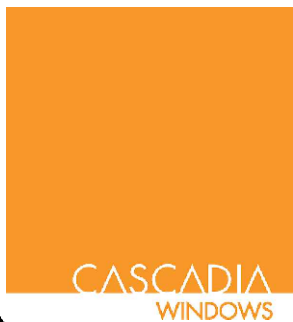
SERIES: SERIES 302 OUTSWING DOOR WITH FLANGE [FL] AND INTERIOR SILL ANGLE			DRAWING NO.: 302FL(C)-1.03
DRAWING TITLE: TYPICAL DOOR JAMB RAINSCREEN WALL ASSEMBLY, CEMENT BOARD CLADDING (C)			PROJECT NO.: -
ISSUE	DESCRIPTION	DATE	SCALE: 6" = 1'-0"
1	VERSION 1	13 JAN, 2009	DATE: 13 JAN, 2009
2	VERSION 2	30 JAN, 2009	DRAWN BY: RK
			CHECKED BY: -



NOTE: THIS DETAIL IS FOR GENERAL ARRANGEMENT PURPOSES ONLY, AND DOES NOT NECESSARILY REPRESENT A DETAIL THAT IS APPROPRIATE FOR A SPECIFIC PROJECT. PRODUCTS AND ACCESSORIES PROVIDED BY CASCADIA MUST BE CONFIRMED FOR SPECIFIC PROJECTS.

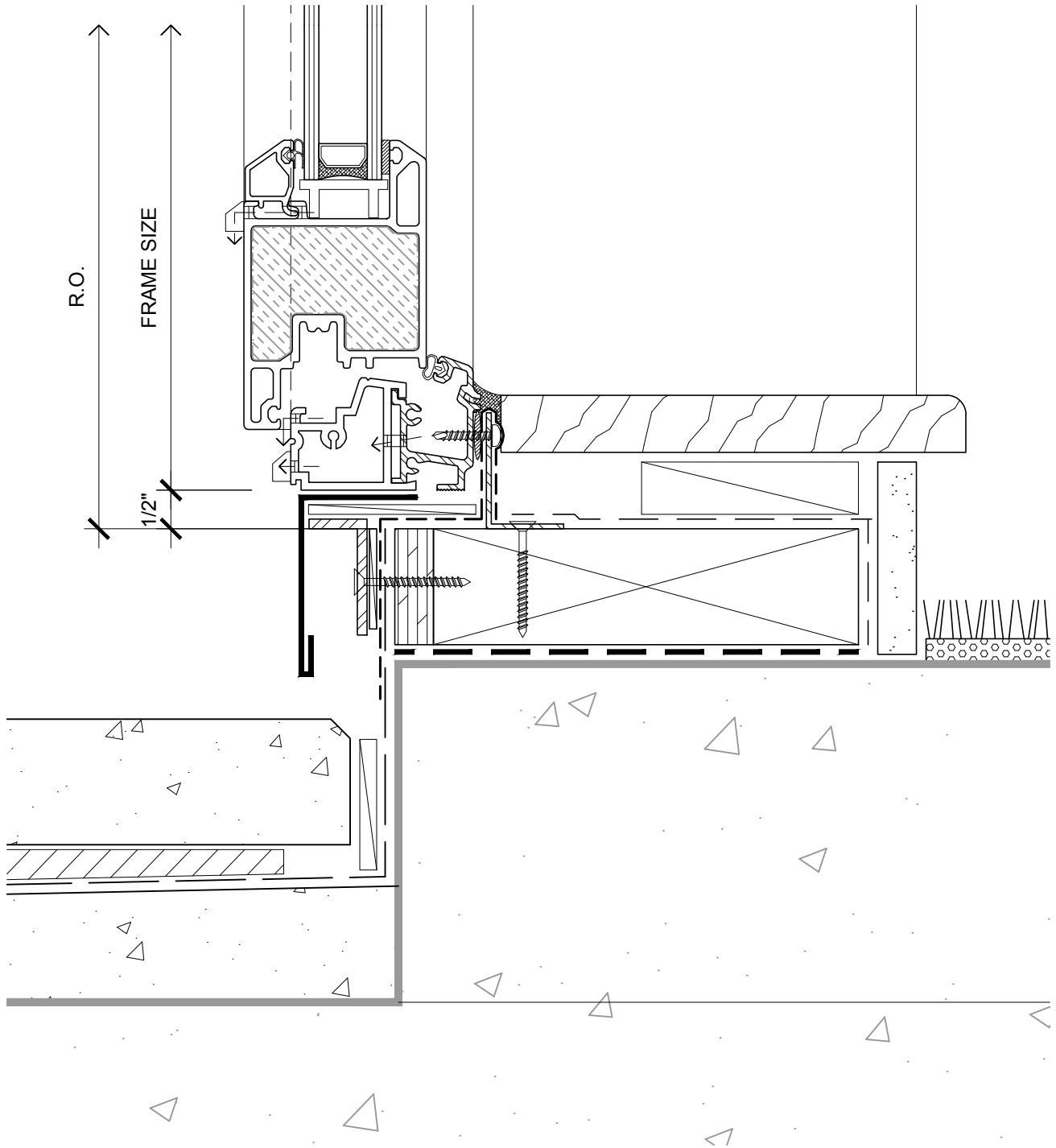
SECTION

November 19 2015, 12:32 PM



CASCADIA WINDOWS LTD.
 2780 GLOUCESTER WAY
 LANGLEY, BC CANADA, V4W 3Y6

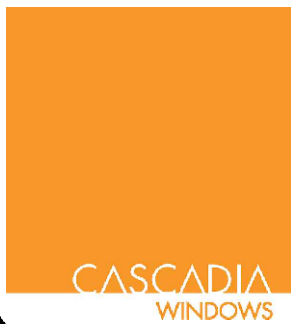
SERIES: SERIES 302 OUTSWING DOOR WITH FLANGE [FL] AND INTERIOR SILL ANGLE			DRAWING NO.: 302FL(S)-1.01
DRAWING TITLE: TYPICAL DOOR HEAD RAINSCREEN WALL ASSEMBLY, STUCCO CLADDING (S)			PROJECT NO.: -
ISSUE	DESCRIPTION	DATE	SCALE: 6" = 1'-0"
1	VERSION 1	13 JAN, 2009	DATE: 13 JAN, 2009
2	VERSION 2	30 JAN, 2009	DRAWN BY: RK
			CHECKED BY: -



NOTE: THIS DETAIL IS FOR GENERAL ARRANGEMENT PURPOSES ONLY, AND DOES NOT NECESSARILY REPRESENT A DETAIL THAT IS APPROPRIATE FOR A SPECIFIC PROJECT. PRODUCTS AND ACCESSORIES PROVIDED BY CASCADIA MUST BE CONFIRMED FOR SPECIFIC PROJECTS.

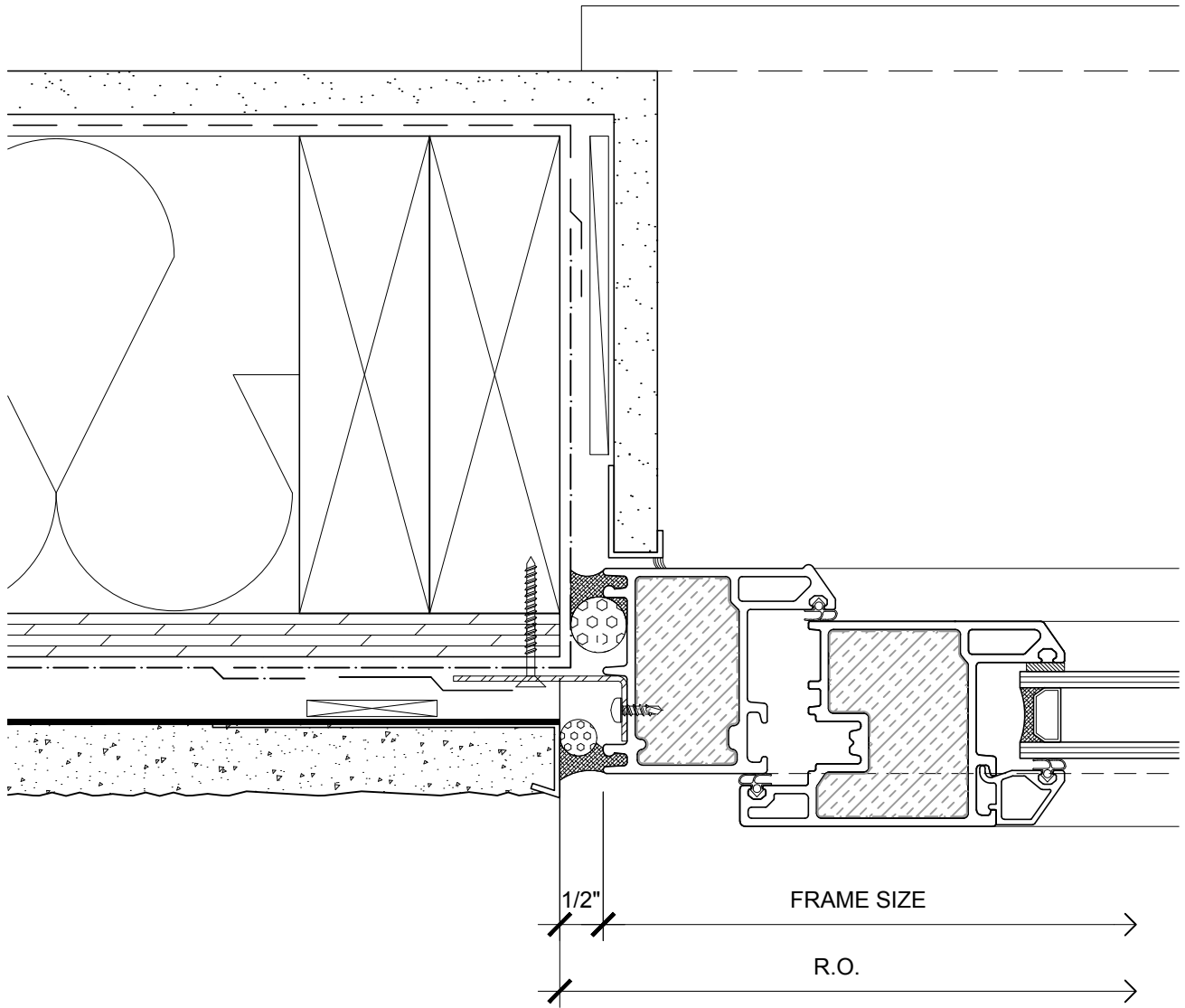
SECTION

NOTE: PROVIDE WATERPROOF SUB-SILL WITH POSITIVE DRAINAGE TO EXTERIOR



CASCADIA WINDOWS LTD.
2780 GLOUCESTER WAY
LANGLEY, BC CANADA, V4W 3Y6

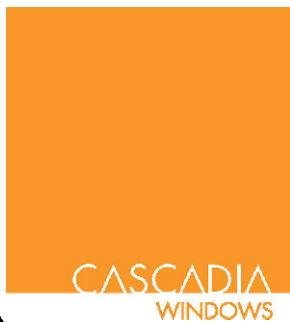
SERIES: SERIES 302 OUTSWING DOOR WITH FLANGE [FL] AND INTERIOR SILL ANGLE			DRAWING NO.: 302FL(S)-1.02
DRAWING TITLE: TYPICAL DOOR THRESHOLD RAINSCREEN WALL ASSEMBLY, STUCCO CLADDING (S)			PROJECT NO.: -
ISSUE	DESCRIPTION	DATE	SCALE: 6" = 1'-0"
1	VERSION 1	13 JAN, 2009	DATE: 13 JAN, 2009
2	VERSION 2	30 JAN, 2009	DRAWN BY: RK
			CHECKED BY: -



NOTE: THIS DETAIL IS FOR GENERAL ARRANGEMENT PURPOSES ONLY, AND DOES NOT NECESSARILY REPRESENT A DETAIL THAT IS APPROPRIATE FOR A SPECIFIC PROJECT. PRODUCTS AND ACCESSORIES PROVIDED BY CASCADIA MUST BE CONFIRMED FOR SPECIFIC PROJECTS.

PLAN

NOTE: COMPATIBLE WITH RETRACTABLE TYPE INSECT SCREENS. BRICK MOULD TRIM AND FRAME EXTENDER TRIM AVAILABLE



CASCADIA WINDOWS LTD.
2780 GLOUCESTER WAY
LANGLEY, BC CANADA, V4W 3Y6

SERIES: SERIES 302 OUTSWING DOOR WITH FLANGE [FL] AND INTERIOR SILL ANGLE			DRAWING NO.: 302FL(S)-1.03
DRAWING TITLE: TYPICAL DOOR JAMB RAINSCREEN WALL ASSEMBLY, STUCCO CLADDING (S)			PROJECT NO.: -
ISSUE	DESCRIPTION	DATE	SCALE: 6" = 1'-0"
1	VERSION 1	13 JAN, 2009	DATE: 13 JAN, 2009
2	VERSION 2	30 JAN, 2009	DRAWN BY: RK
			CHECKED BY: -