

SEAL:

PROJECT TITLE:

**PROJECT NAME +
CONSULTANT**

ISSUE	DESCRIPTION	DATE
1	REVISION 1	13 JAN, 2009
2	REVISION 2	30 JAN, 2009
3	REVISION 3	16 FEB, 2009
4	REVISION 4	28 MAY, 2010
5	REVISION 5	26 JUN, 2013
6	REVISION 6	24 NOV, 2015
7	REVISION 7	16 MAR, 2016

DRAWING
TITLE:

**SERIES 302 DOORS
OUTSWING CASEMENT**

SCALE: 6" = 1'-0"

DATE:

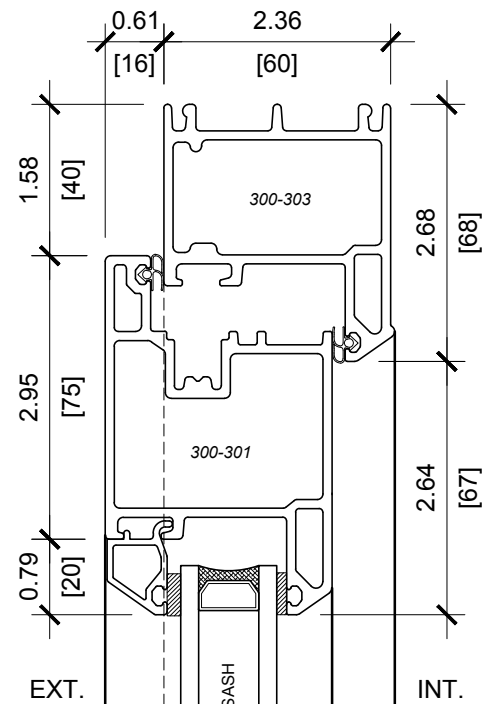
DRAWN BY:

CHECKED BY:

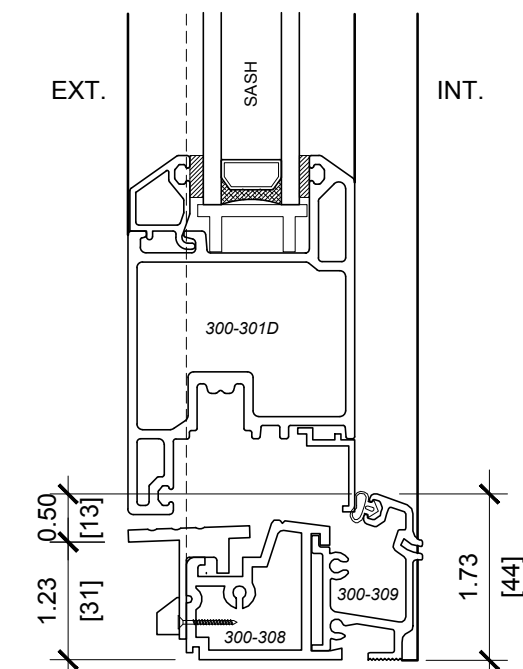
DRAWING NO.:

S-302

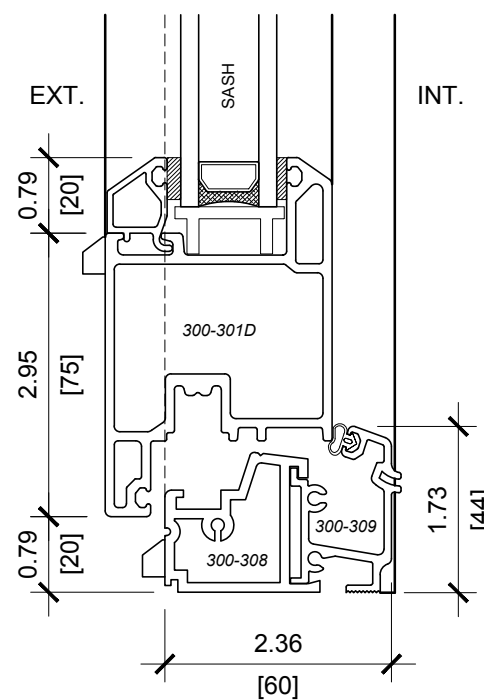
1 HEAD AT SASH



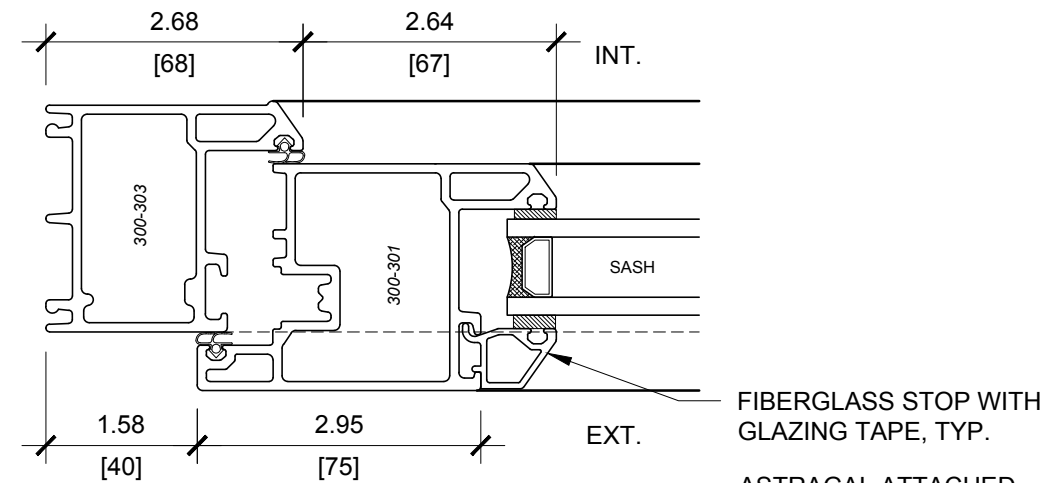
**3 ALTERNATIVE THRESHOLD
AT SASH**



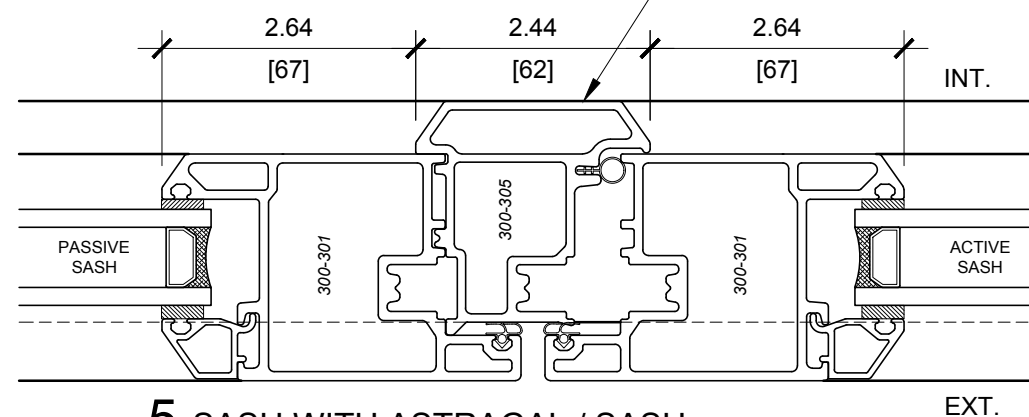
2 THRESHOLD AT SASH



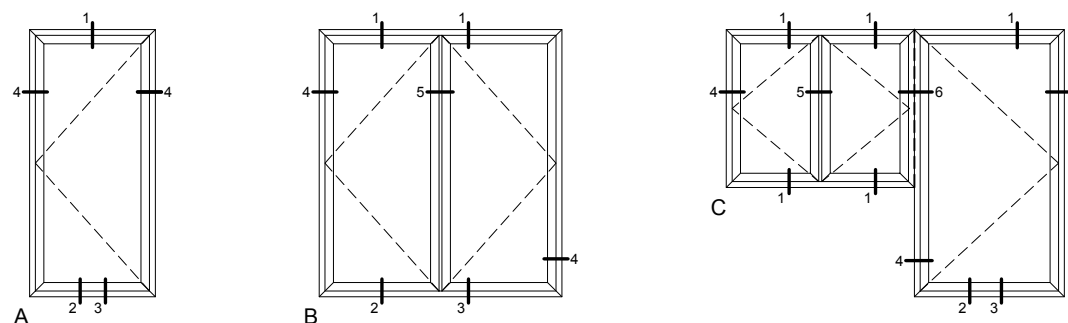
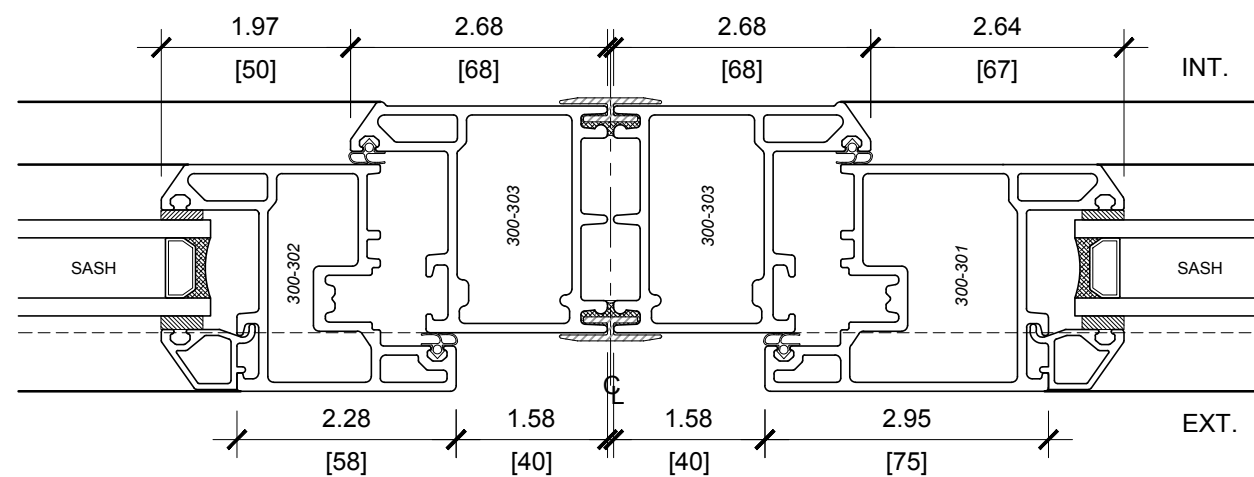
4 JAMB AT SASH



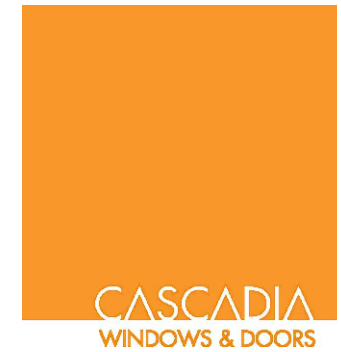
5 SASH WITH ASTRAGAL / SASH



6 COUPLED MULLION: SASH / SASH



NOTE: PRODUCT IS
COMPATIBLE WITH
RETRACTABLE TYPE
INSECT SCREENS



SEAL:

PROJECT TITLE:

**PROJECT NAME +
CONSULTANT**

ISSUE	DESCRIPTION	DATE
1	REVISION 1	13 JAN, 2009
2	REVISION 2	30 JAN, 2009
3	REVISION 3	16 FEB, 2009
4	REVISION 4	28 MAY, 2010
5	REVISION 5	26 JUN, 2013
6	REVISION 6	24 NOV, 2015
7	REVISION 7	16 MAR, 2016

DRAWING
TITLE:

**SERIES 302 DOORS
OUTSWING CASEMENT**

SCALE: 6" = 1'-0"

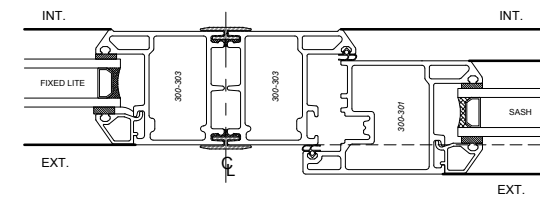
DATE:

DRAWN BY:

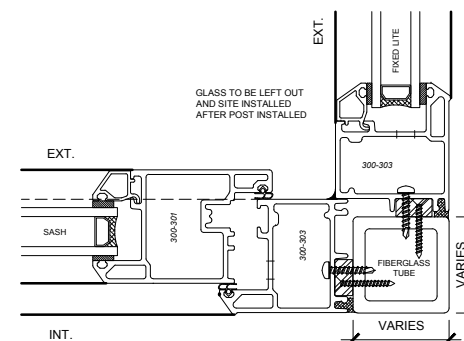
CHECKED BY:

DRAWING NO.:

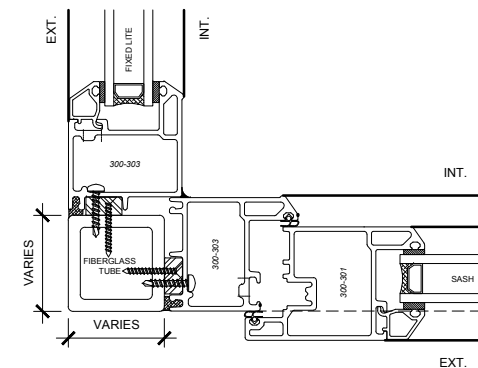
S-302



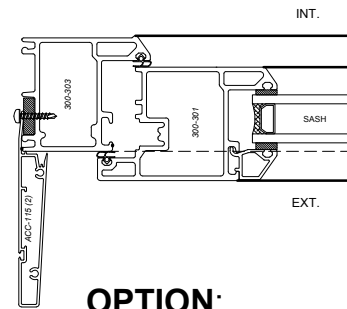
**OPTION:
COUPLED FIXED AND SASH**
SCALE: 3" = 1'-0"



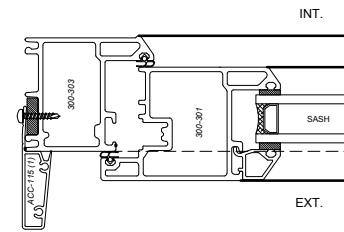
**OPTION:
INNER CORNER JOINT**
SCALE: 3" = 1'-0"



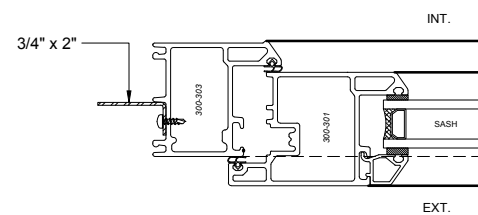
**OPTION:
OUTER CORNER JOINT**
SCALE: 3" = 1'-0"



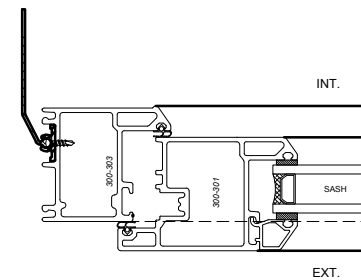
**OPTION:
3 1/4" ALUM. FRAME
EXTENDER**
SCALE: 3" = 1'-0"
(NOT AVAILABLE WITH
NAIL FLANGE)



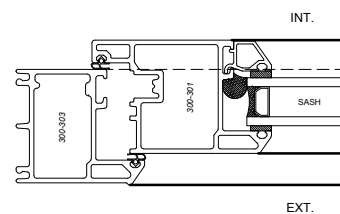
**OPTION:
1 5/8" ALUM. FRAME
EXTENDER**
SCALE: 3" = 1'-0"
(NOT AVAILABLE WITH
NAIL FLANGE)



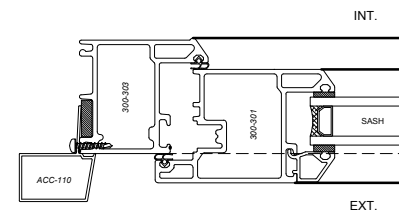
**OPTION:
ALUM. NAIL FLANGE**
(AT HEAD AND JAMBS ONLY)
SCALE: 3" = 1'-0"



**STANDARD:
ALUM. CLIP WITH
SUB-CLIP**
(SEE TYP. INSTALL DETAILS)
SCALE: 3" = 1'-0"



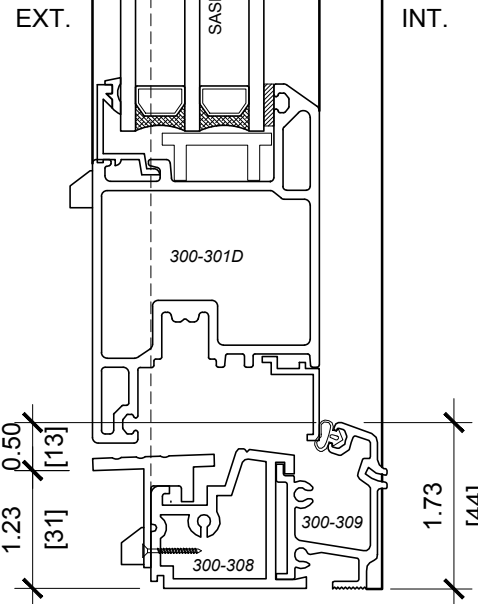
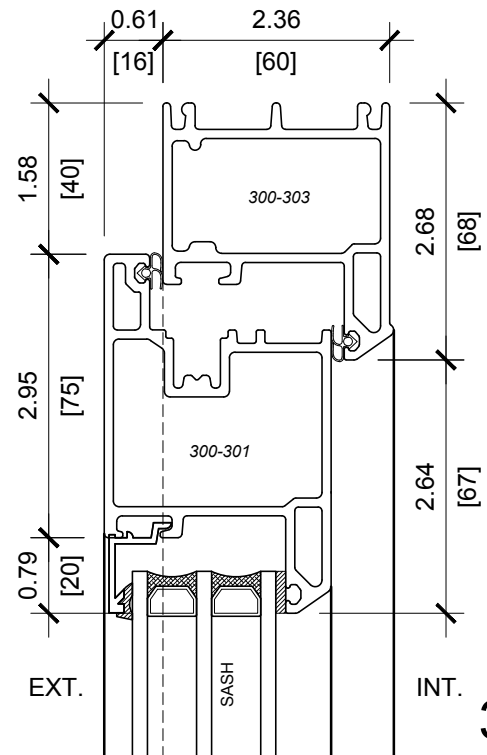
**OPTION:
INSWING DOOR**
SCALE: 3" = 1'-0"



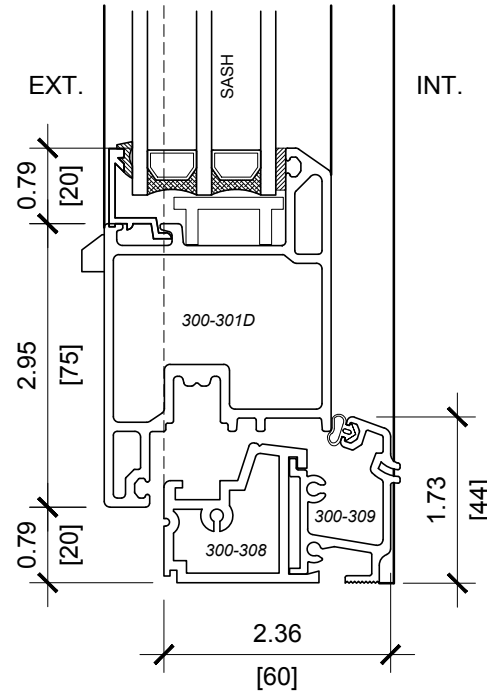
**OPTION:
ALUM. BRICK MOULD**
SCALE: 3" = 1'-0"
(NOT AVAILABLE WITH
NAIL FLANGE)



1 HEAD AT SASH

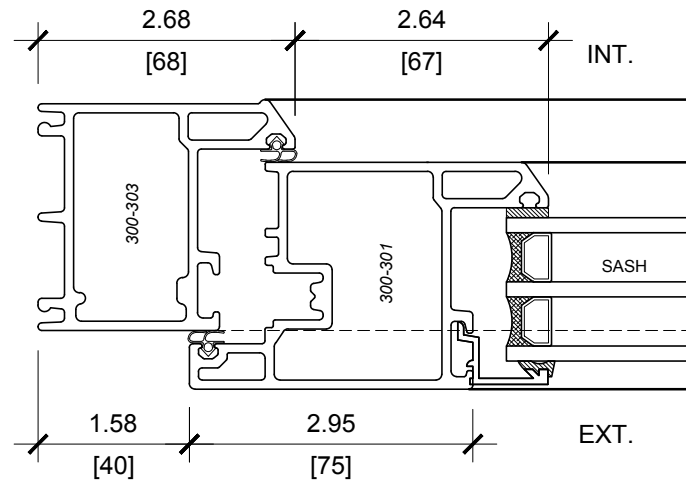


3 ALTERNATIVE THRESHOLD AT SASH

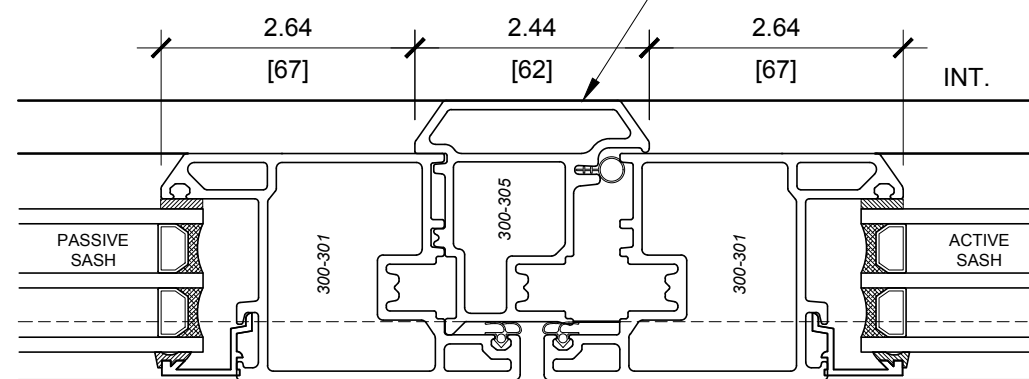


2 THRESHOLD AT SASH

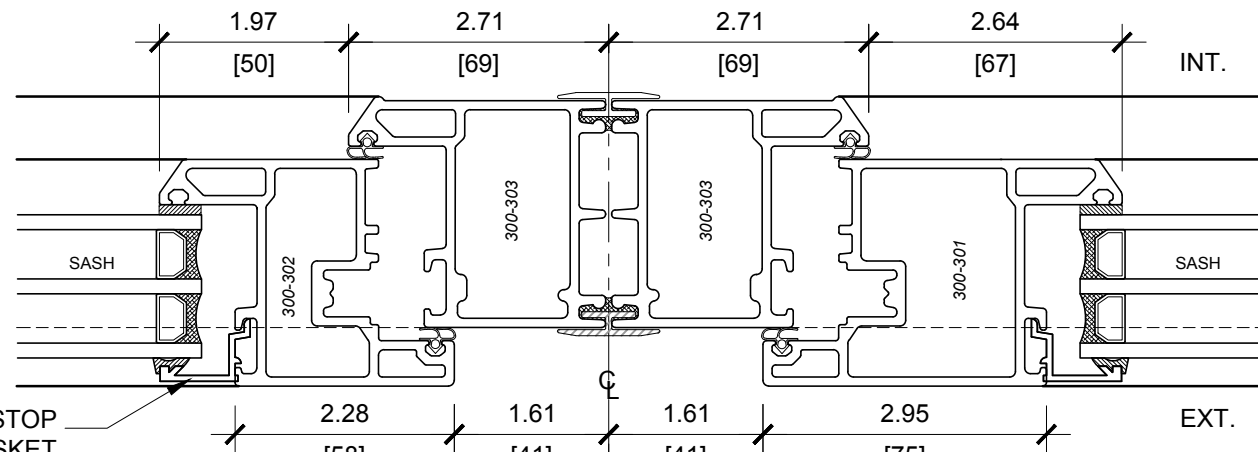
NOTE: PRODUCT IS COMPATIBLE WITH RETRACTABLE TYPE INSECT SCREENS



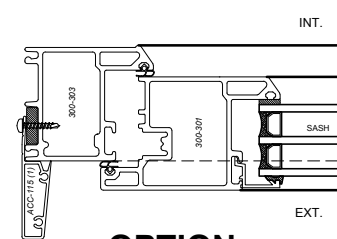
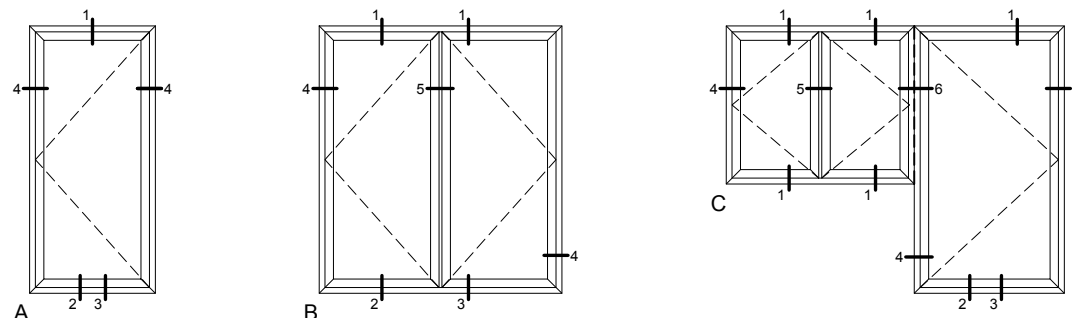
4 JAMB AT SASH



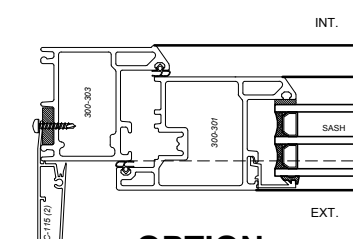
5 SASH WITH ASTRAGAL / SASH



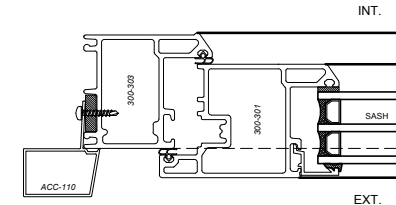
6 COUPLED MULLION: SASH / SASH



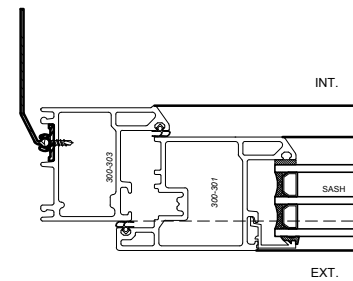
OPTION:
1 5/8" ALUM.
FRAME EXTENDER
SCALE: 3" = 1'-0"
(NOT AVAILABLE WITH
NAIL FLANGE)



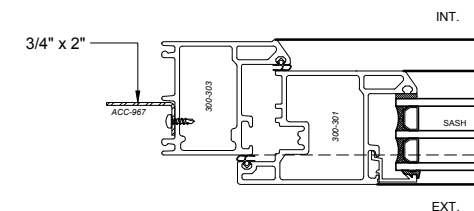
OPTION:
3 1/4" ALUM.
FRAME EXTENDER
SCALE: 3" = 1'-0"
(NOT AVAILABLE WITH
NAIL FLANGE)



OPTION:
ALUM. BRICK MOULD
SCALE: 3" = 1'-0"
(NOT AVAILABLE WITH
NAIL FLANGE)



INSTALL OPTION:
ALUM. CLIP WITH
SUB-CLIP
(AT HEAD AND JAMBS ONLY)
SCALE: 3" = 1'-0"



INSTALL OPTION:
ALUM. NAIL FLANGE
(AT HEAD AND JAMBS ONLY)
SCALE: 3" = 1'-0"

SEAL:

PROJECT TITLE:

**PROJECT NAME +
CONSULTANT**

ISSUE	DESCRIPTION	DATE
1	REVISION 1	13 JAN, 2009
2	REVISION 2	30 JAN, 2009
3	REVISION 3	16 FEB, 2009
4	REVISION 4	28 MAY, 2010
5	REVISION 5	26 JUN, 2013
6	REVISION 6	24 NOV, 2015
7	REVISION 7	16 MAR, 2016

DRAWING
TITLE:

**SERIES 302 DOORS
OUTSWING CASEMENT**

SCALE: 6" = 1'-0"

DATE:

DRAWN BY:

CHECKED BY:

DRAWING NO.:

S-302