

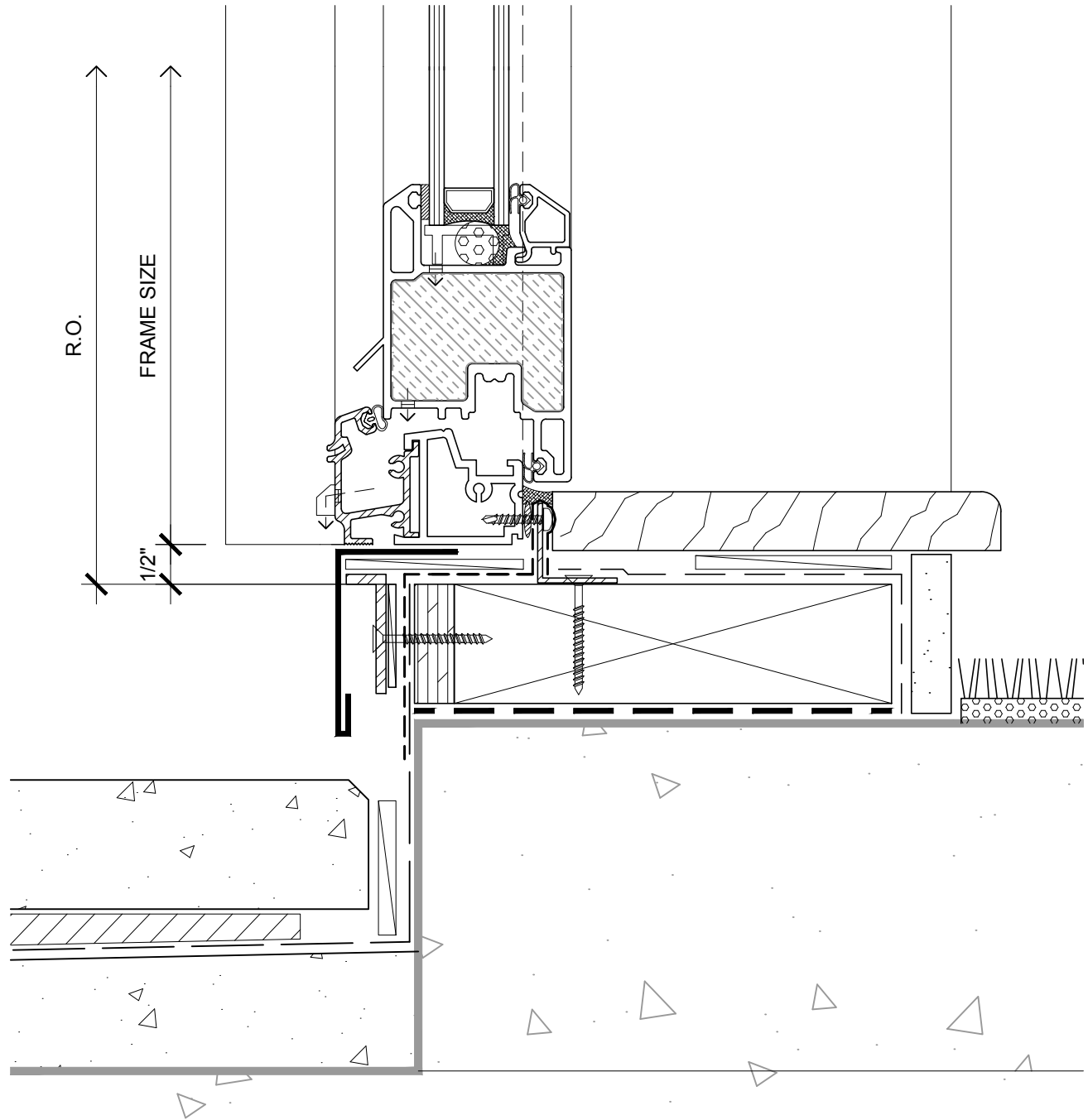
NOTE: THIS DETAIL IS FOR GENERAL ARRANGEMENT PURPOSES ONLY, AND DOES NOT NECESSARILY REPRESENT A DETAIL THAT IS APPROPRIATE FOR A SPECIFIC PROJECT. PRODUCTS AND ACCESSORIES PROVIDED BY CASCADIA MUST BE CONFIRMED FOR SPECIFIC PROJECTS.

SECTION

NOTE: SUB-CLIPS AND ANCHOR CLIPS AT HEAD AND JAMBS ARE INTERMITTENT



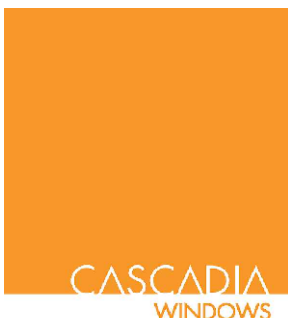
SERIES: SERIES 301 INSWING DOOR (DUAL ACTION) WITH CLIPS [CL] AND INTERIOR SILL ANGLE		DRAWING NO.: 301CL(C)-1.01	
DRAWING TITLE: TYPICAL DOOR HEAD RAINSCREEN WALL ASSEMBLY, CEMENT BOARD CLADDING (C)		PROJECT NO.: -	
ISSUE	DESCRIPTION	DATE	SCALE: 6" = 1'-0"
1	VERSION 1		DATE:
			DRAWN BY:
			CHECKED BY: -



NOTE: THIS DETAIL IS FOR GENERAL ARRANGEMENT PURPOSES ONLY, AND DOES NOT NECESSARILY REPRESENT A DETAIL THAT IS APPROPRIATE FOR A SPECIFIC PROJECT. PRODUCTS AND ACCESSORIES PROVIDED BY CASCADIA MUST BE CONFIRMED FOR SPECIFIC PROJECTS.

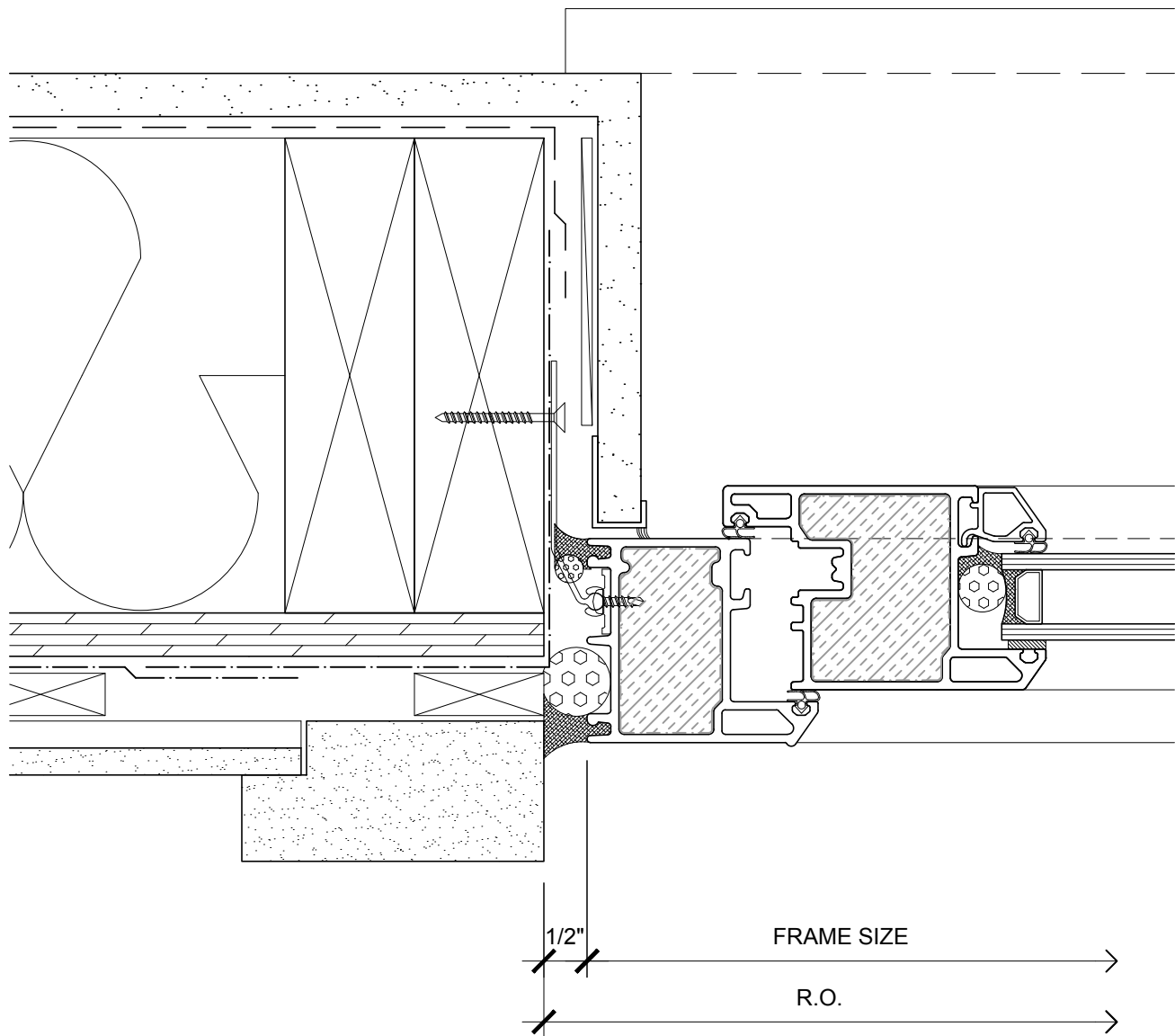
SECTION

NOTE: PROVIDE WATERPROOF SUB-SILL WITH POSITIVE DRAINAGE TO EXTERIOR



CASCADIA WINDOWS LTD.
 2180 CLOUDESTER WAY
 LANGLEY, BC CANADA V4W 3Y5

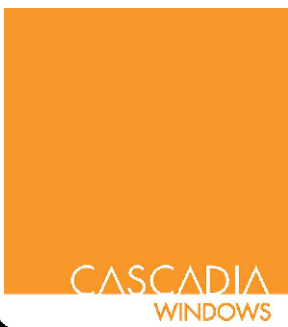
SERIES: SERIES 301 INSWING DOOR (DUAL ACTION) WITH CLIPS [CL] AND INTERIOR SILL ANGLE		DRAWING NO.: 301CL(C)-1.02	
DRAWING TITLE: TYPICAL DOOR THRESHOLD RAINSCREEN WALL ASSEMBLY, CEMENT BOARD CLADDING (C)		PROJECT NO.: -	
ISSUE	DESCRIPTION	DATE	SCALE: 6" = 1'-0"
1	VERSION 1		DATE:
			DRAWN BY:
			CHECKED BY: -



NOTE: THIS DETAIL IS FOR GENERAL ARRANGEMENT PURPOSES ONLY, AND DOES NOT NECESSARILY REPRESENT A DETAIL THAT IS APPROPRIATE FOR A SPECIFIC PROJECT. PRODUCTS AND ACCESSORIES PROVIDED BY CASCADIA MUST BE CONFIRMED FOR SPECIFIC PROJECTS.

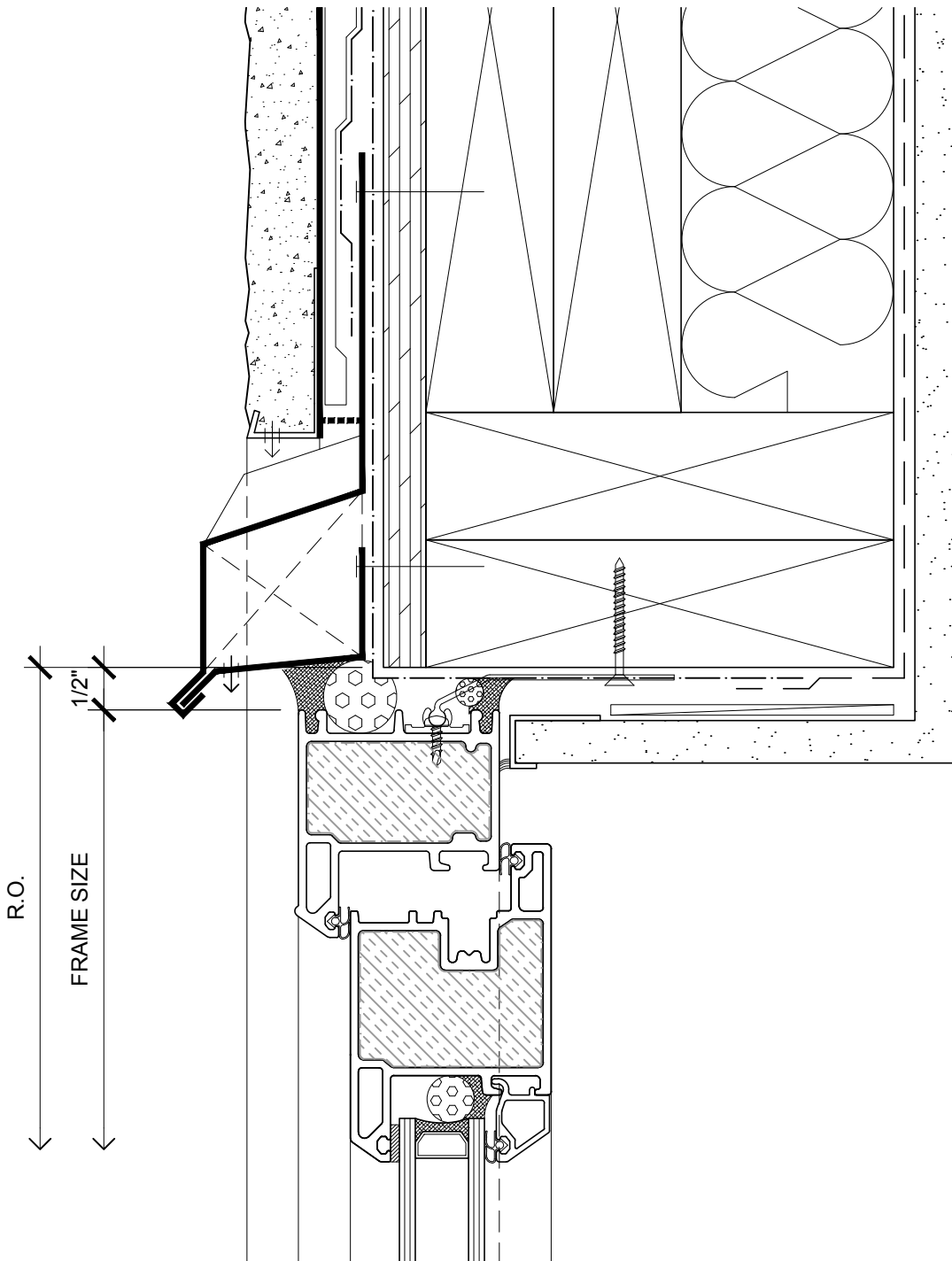
PLAN

NOTE: COMPATIBLE WITH RETRACTABLE TYPE INSECT SCREENS. BRICK MOULD TRIM AND FRAME EXTENDER TRIM AVAILABLE



CASCADIA WINDOWS LTD.
2160 CLOUDESTER WAY
LANGLEY, BC CANADA V4W 3Y5

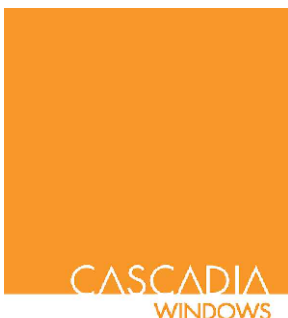
SERIES: SERIES 301 INSWING DOOR (DUAL ACTION) WITH CLIPS [CL] AND INTERIOR SILL ANGLE		DRAWING NO.: 301CL(C)-1.03
DRAWING TITLE: TYPICAL DOOR JAMB RAINSCREEN WALL ASSEMBLY, CEMENT BOARD CLADDING (C)		PROJECT NO.: -
ISSUE	DESCRIPTION	DATE
1	VERSION 1	
		SCALE: 6" = 1'-0"
		DATE:
		DRAWN BY:
		CHECKED BY: -



NOTE: THIS DETAIL IS FOR GENERAL ARRANGEMENT PURPOSES ONLY, AND DOES NOT NECESSARILY REPRESENT A DETAIL THAT IS APPROPRIATE FOR A SPECIFIC PROJECT. PRODUCTS AND ACCESSORIES PROVIDED BY CASCADIA MUST BE CONFIRMED FOR SPECIFIC PROJECTS.

SECTION

NOTE: SUB-CLIPS AND ANCHOR CLIPS AT HEAD AND JAMBS ARE INTERMITTENT



SERIES: **SERIES 301 INSWING DOOR (DUAL ACTION)
WITH CLIPS [CL] AND INTERIOR SILL ANGLE**

DRAWING NO.:
301CL(S)-1.01

DRAWING TITLE:
**TYPICAL DOOR HEAD
RAINSCREEN WALL ASSEMBLY, STUCCO CLADDING (S)**

PROJECT NO.:
-

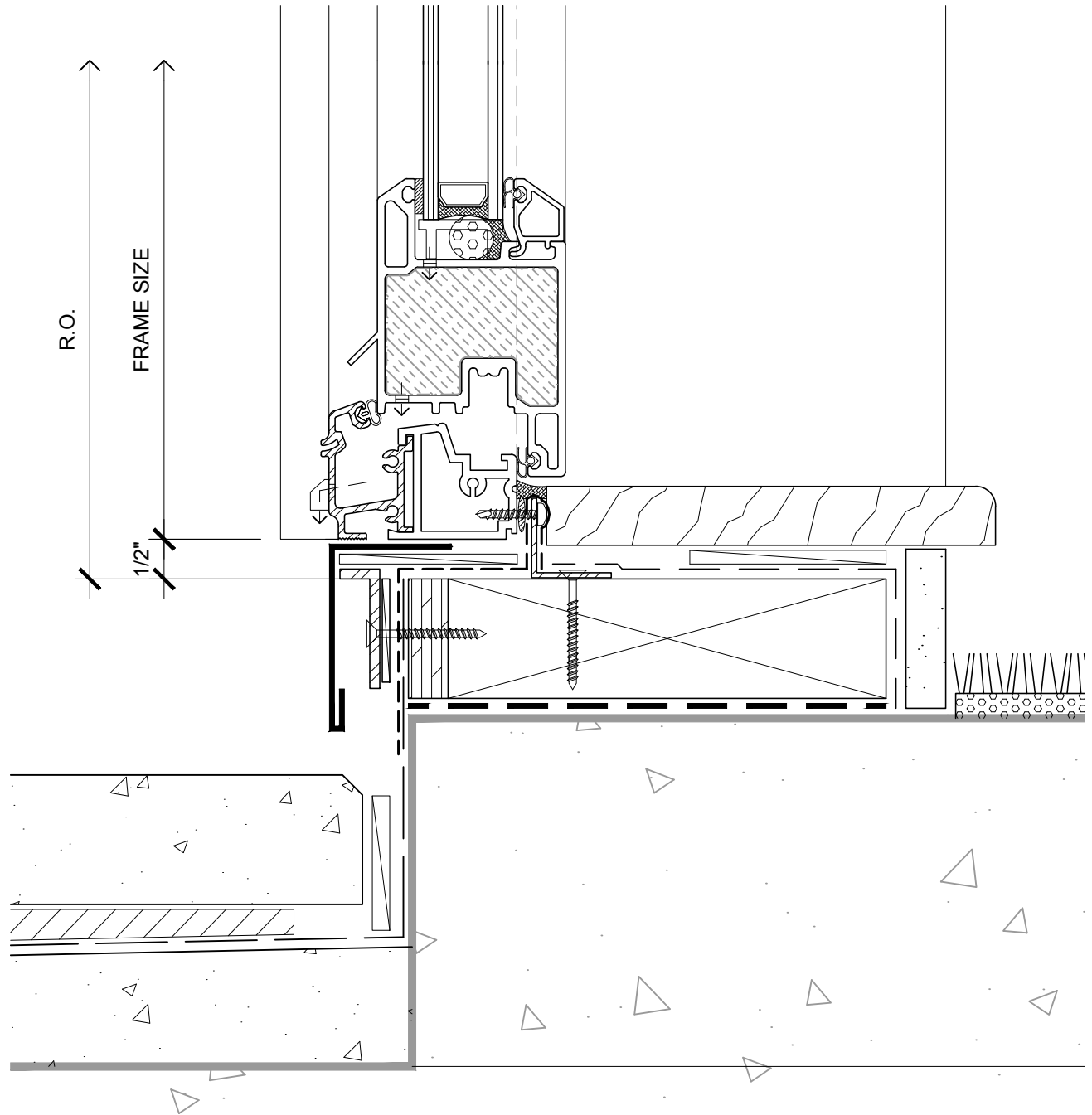
ISSUE	DESCRIPTION	DATE
1	VERSION 1	

SCALE: 6" = 1'-0"

DATE:

DRAWN BY:

CHECKED BY: -



NOTE: THIS DETAIL IS FOR GENERAL ARRANGEMENT PURPOSES ONLY, AND DOES NOT NECESSARILY REPRESENT A DETAIL THAT IS APPROPRIATE FOR A SPECIFIC PROJECT. PRODUCTS AND ACCESSORIES PROVIDED BY CASCADIA MUST BE CONFIRMED FOR SPECIFIC PROJECTS.

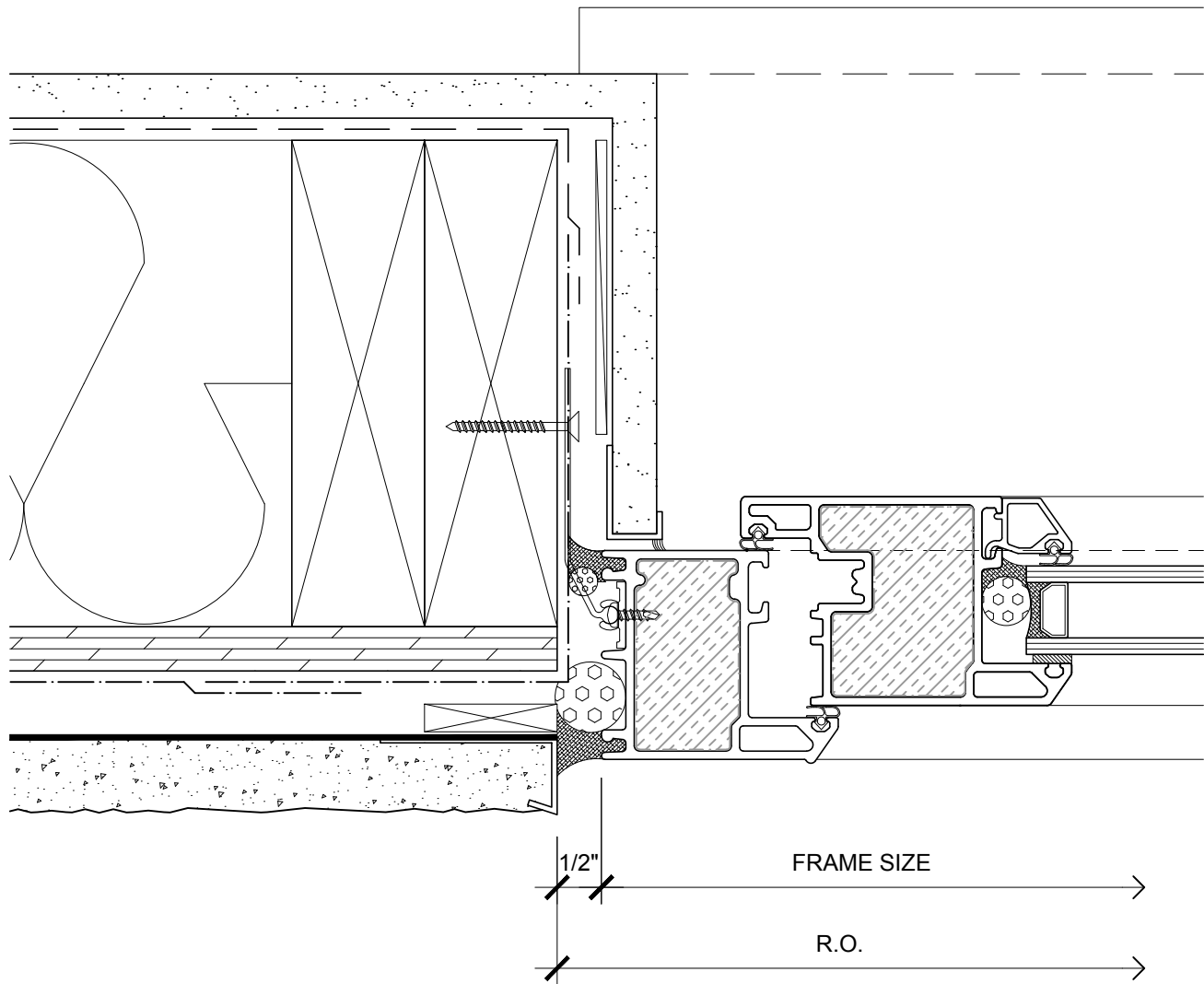
SECTION

NOTE: PROVIDE WATERPROOF SUB-SILL WITH POSITIVE DRAINAGE TO EXTERIOR



CASCADIA WINDOWS LTD.
2160 CLOUDESTER WAY
LANGLEY, BC CANADA V4W 3Y5

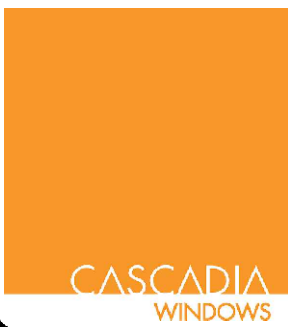
SERIES: SERIES 301 INSWING DOOR (DUAL ACTION) WITH CLIPS [CL] AND INTERIOR SILL ANGLE		DRAWING NO.: 301CL(S)-1.02	
DRAWING TITLE: TYPICAL DOOR THRESHOLD RAINSCREEN WALL ASSEMBLY, STUCCO CLADDING (S)		PROJECT NO.: -	
ISSUE	DESCRIPTION	DATE	SCALE: 6" = 1'-0"
1	VERSION 1		DATE:
			DRAWN BY:
			CHECKED BY: -



NOTE: THIS DETAIL IS FOR GENERAL ARRANGEMENT PURPOSES ONLY, AND DOES NOT NECESSARILY REPRESENT A DETAIL THAT IS APPROPRIATE FOR A SPECIFIC PROJECT. PRODUCTS AND ACCESSORIES PROVIDED BY CASCADIA MUST BE CONFIRMED FOR SPECIFIC PROJECTS.

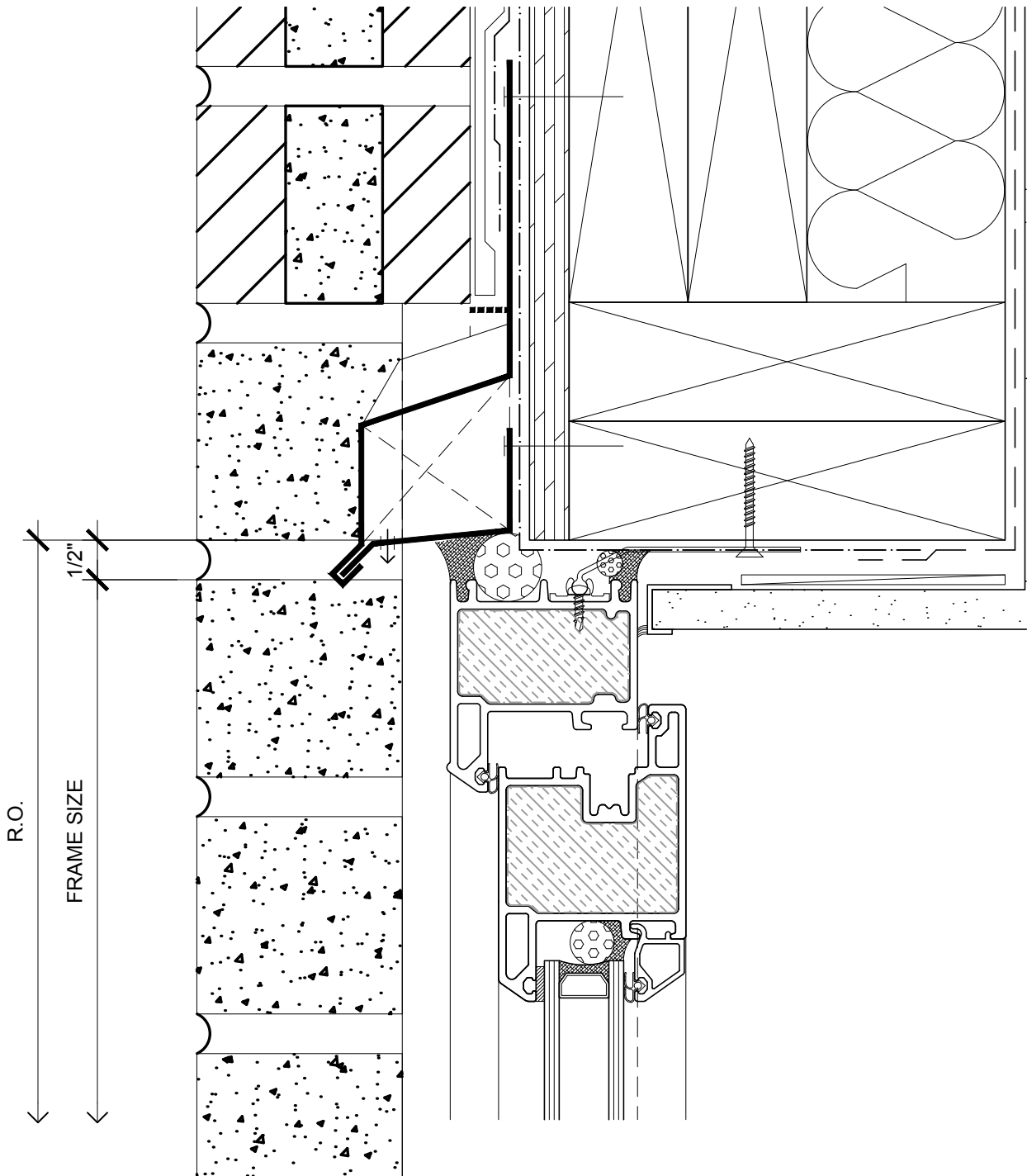
PLAN

NOTE: COMPATIBLE WITH RETRACTABLE TYPE INSECT SCREENS. BRICK MOULD TRIM AND FRAME EXTENDER TRIM AVAILABLE



CASCADIA WINDOWS LTD.
2160 CLIFTON WAY
LANGLEY, BC CANADA V4W 3Y5

SERIES: SERIES 301 INSWING DOOR (DUAL ACTION) WITH CLIPS [CL] AND INTERIOR SILL ANGLE		DRAWING NO.: 301CL(S)-1.03
DRAWING TITLE: TYPICAL DOOR JAMB RAINSCREEN WALL ASSEMBLY, STUCCO CLADDING (S)		PROJECT NO.: -
ISSUE	DESCRIPTION	DATE
1	VERSION 1	
		SCALE: 6" = 1'-0"
		DATE:
		DRAWN BY:
		CHECKED BY: -



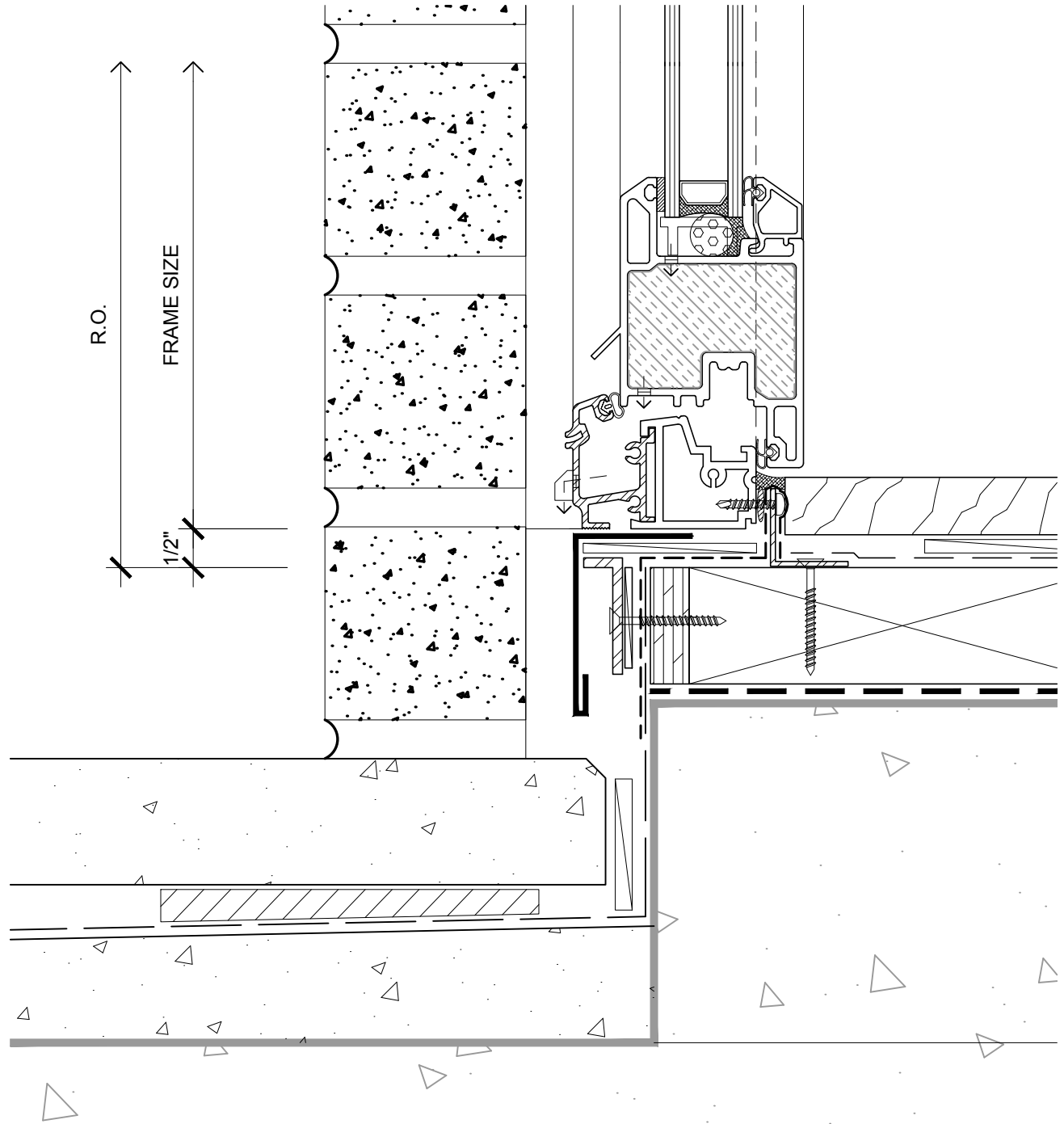
NOTE: THIS DETAIL IS FOR GENERAL ARRANGEMENT PURPOSES ONLY, AND DOES NOT NECESSARILY REPRESENT A DETAIL THAT IS APPROPRIATE FOR A SPECIFIC PROJECT. PRODUCTS AND ACCESSORIES PROVIDED BY CASCADIA MUST BE CONFIRMED FOR SPECIFIC PROJECTS.

SECTION

NOTE: SUB-CLIPS AND ANCHOR CLIPS AT HEAD AND JAMBS ARE INTERMITTENT



SERIES: SERIES 301 INSWING DOOR (DUAL ACTION) WITH CLIPS [CL] AND INTERIOR SILL ANGLE		DRAWING NO.: 301CL(B)-1.01	
DRAWING TITLE: TYPICAL DOOR HEAD RAINSCREEN WALL ASSEMBLY, BRICK VENEER CLADDING (B)		PROJECT NO.: -	
ISSUE	DESCRIPTION	DATE	SCALE: 6" = 1'-0"
1	VERSION 1		DATE:
			DRAWN BY:
			CHECKED BY: -



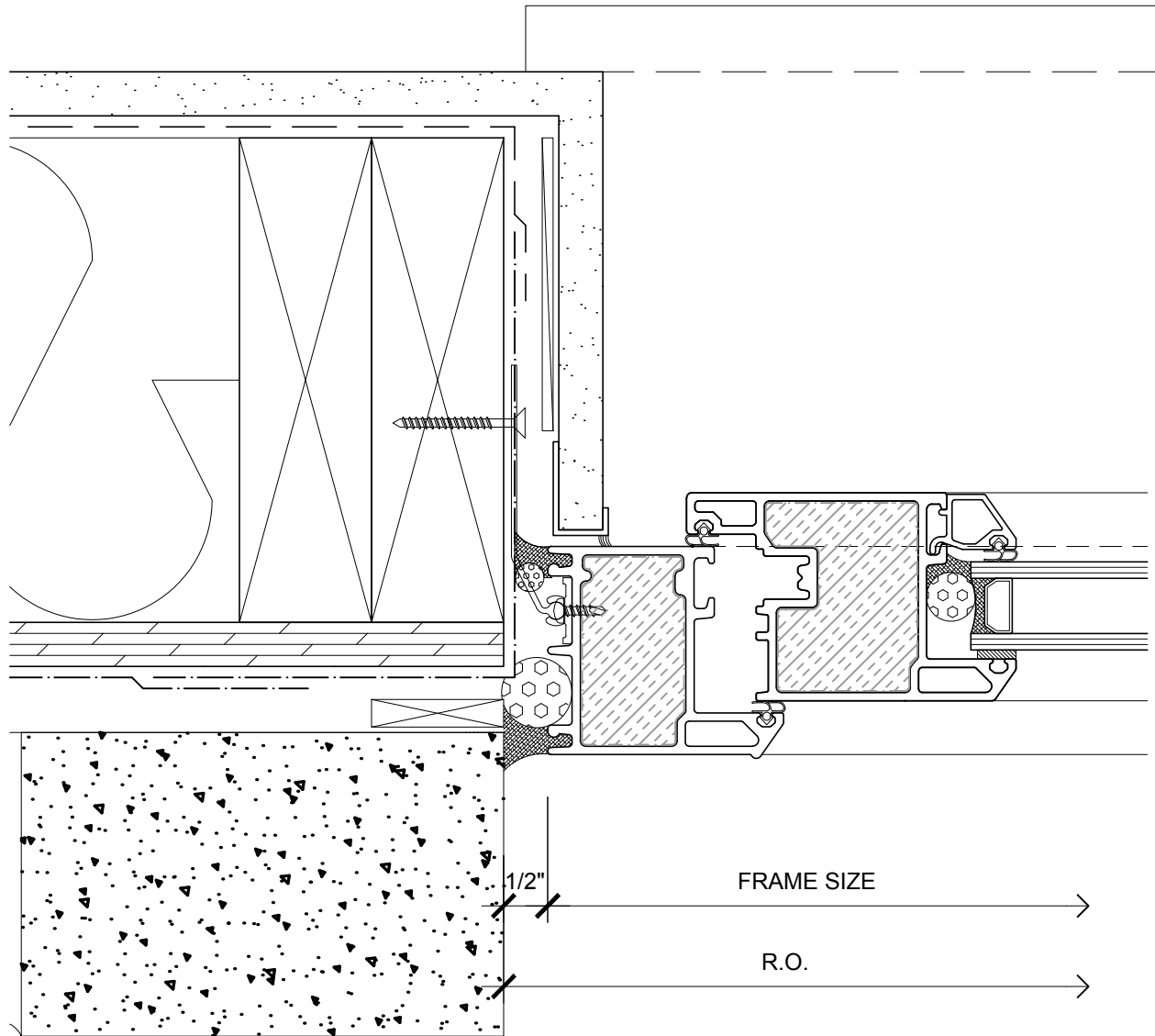
NOTE: THIS DETAIL IS FOR GENERAL ARRANGEMENT PURPOSES ONLY, AND DOES NOT NECESSARILY REPRESENT A DETAIL THAT IS APPROPRIATE FOR A SPECIFIC PROJECT. PRODUCTS AND ACCESSORIES PROVIDED BY CASCADIA MUST BE CONFIRMED FOR SPECIFIC PROJECTS.

SECTION

NOTE: PROVIDE WATERPROOF SUB-SILL WITH POSITIVE DRAINAGE TO EXTERIOR



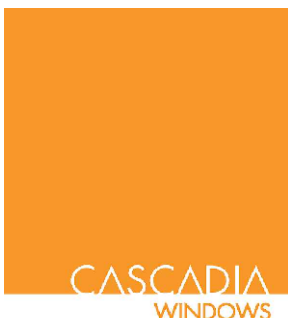
SERIES: SERIES 301 INSWING DOOR (DUAL ACTION) WITH CLIPS [CL] AND INTERIOR SILL ANGLE		DRAWING NO.: 301CL(B)-1.02	
DRAWING TITLE: TYPICAL DOOR THRESHOLD RAINSCREEN WALL ASSEMBLY, BRICK VENEER CLADDING (B)		PROJECT NO.: -	
ISSUE	DESCRIPTION	DATE	SCALE: 6" = 1'-0"
1	VERSION 1		DATE:
			DRAWN BY:
			CHECKED BY: -



NOTE: THIS DETAIL IS FOR GENERAL ARRANGEMENT PURPOSES ONLY, AND DOES NOT NECESSARILY REPRESENT A DETAIL THAT IS APPROPRIATE FOR A SPECIFIC PROJECT. PRODUCTS AND ACCESSORIES PROVIDED BY CASCADIA MUST BE CONFIRMED FOR SPECIFIC PROJECTS.

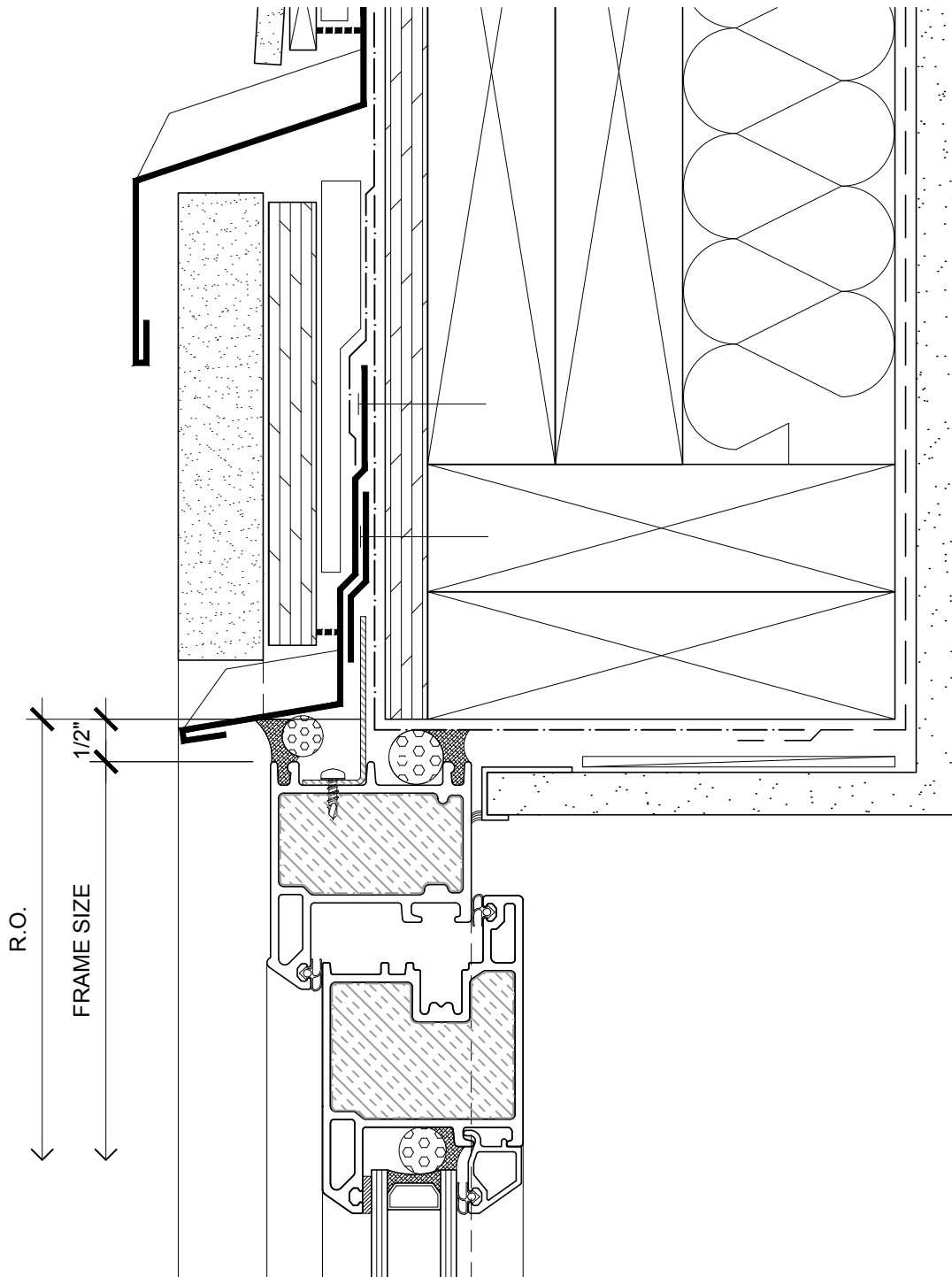
PLAN

NOTE: COMPATIBLE WITH RETRACTABLE TYPE INSECT SCREENS. BRICK MOULD TRIM AND FRAME EXTENDER TRIM AVAILABLE



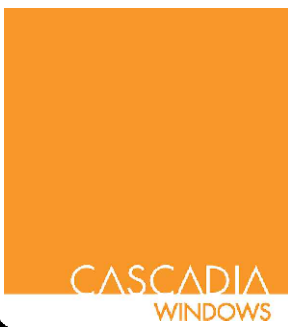
CASCADIA WINDOWS LTD.
2460 CLOUDESTER WAY
LANGLEY, BC CANADA V4W 3Y5

SERIES: SERIES 301 INSWING DOOR (DUAL ACTION) WITH CLIPS [CL] AND INTERIOR SILL ANGLE		DRAWING NO.: 301CL(B)-1.03	
DRAWING TITLE: TYPICAL DOOR JAMB RAINSCREEN WALL ASSEMBLY, BRICK VENEER CLADDING (B)		PROJECT NO.: -	
ISSUE	DESCRIPTION	DATE	SCALE: 6" = 1'-0"
1	VERSION 1		DATE:
			DRAWN BY:
			CHECKED BY: -



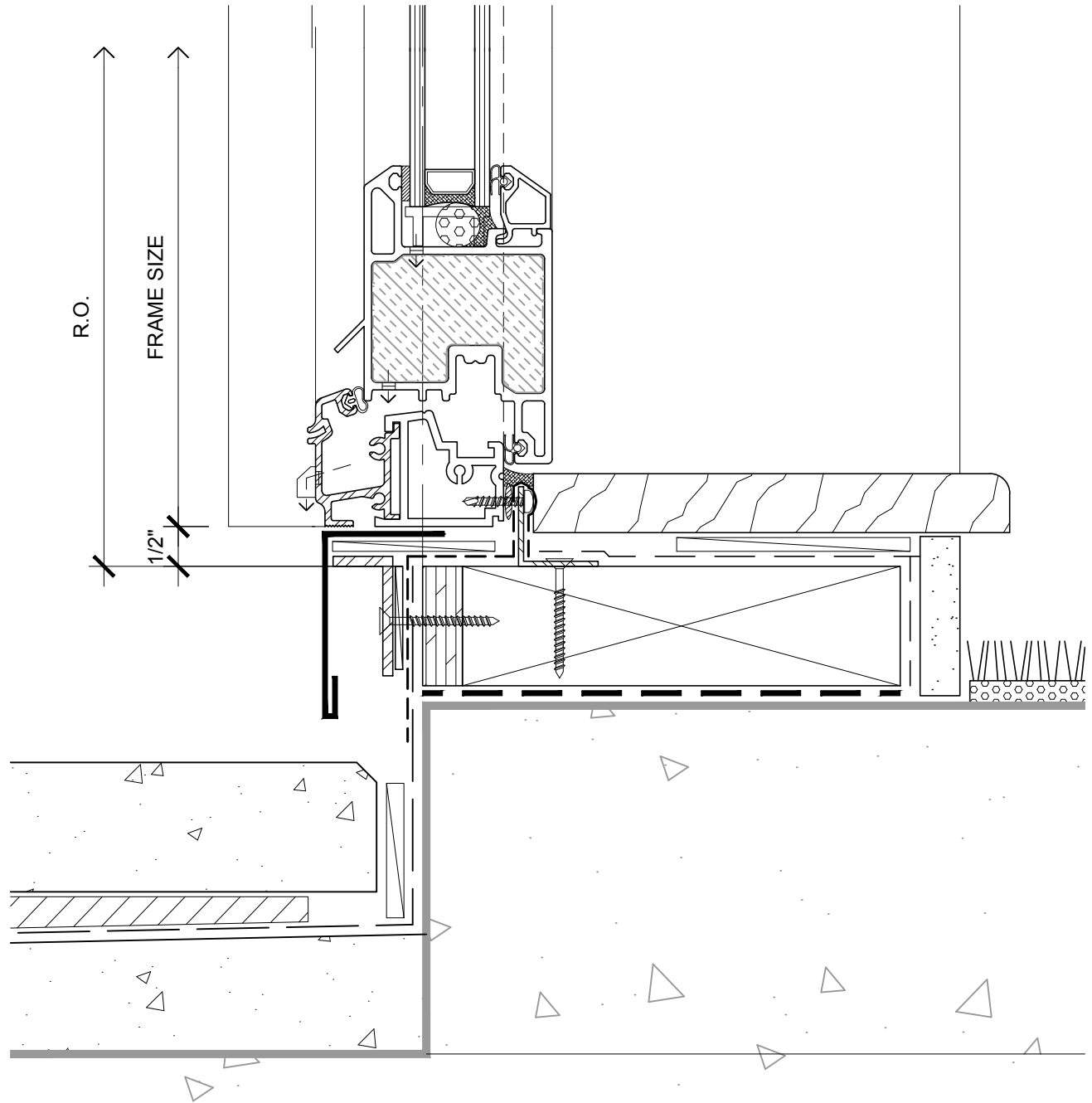
NOTE: THIS DETAIL IS FOR GENERAL ARRANGEMENT PURPOSES ONLY, AND DOES NOT NECESSARILY REPRESENT A DETAIL THAT IS APPROPRIATE FOR A SPECIFIC PROJECT. PRODUCTS AND ACCESSORIES PROVIDED BY CASCADIA MUST BE CONFIRMED FOR SPECIFIC PROJECTS.

SECTION



CASCADIA WINDOWS LTD.
 2460 CLOUDESTER WAY
 LANGLEY, BC CANADA V4W 3Y5

SERIES: SERIES 301 INSWING DOOR (DUAL ACTION) WITH FLANGE [FL] AND INTERIOR SILL ANGLE		DRAWING NO.: 301FL(C)-1.01	
DRAWING TITLE: TYPICAL DOOR HEAD RAINSCREEN WALL ASSEMBLY, CEMENT BOARD CLADDING (C)		PROJECT NO.: -	
ISSUE	DESCRIPTION	DATE	SCALE: 6" = 1'-0"
1	VERSION 1		DATE:
			DRAWN BY:
			CHECKED BY: -



NOTE: THIS DETAIL IS FOR GENERAL ARRANGEMENT PURPOSES ONLY, AND DOES NOT NECESSARILY REPRESENT A DETAIL THAT IS APPROPRIATE FOR A SPECIFIC PROJECT. PRODUCTS AND ACCESSORIES PROVIDED BY CASCADIA MUST BE CONFIRMED FOR SPECIFIC PROJECTS.

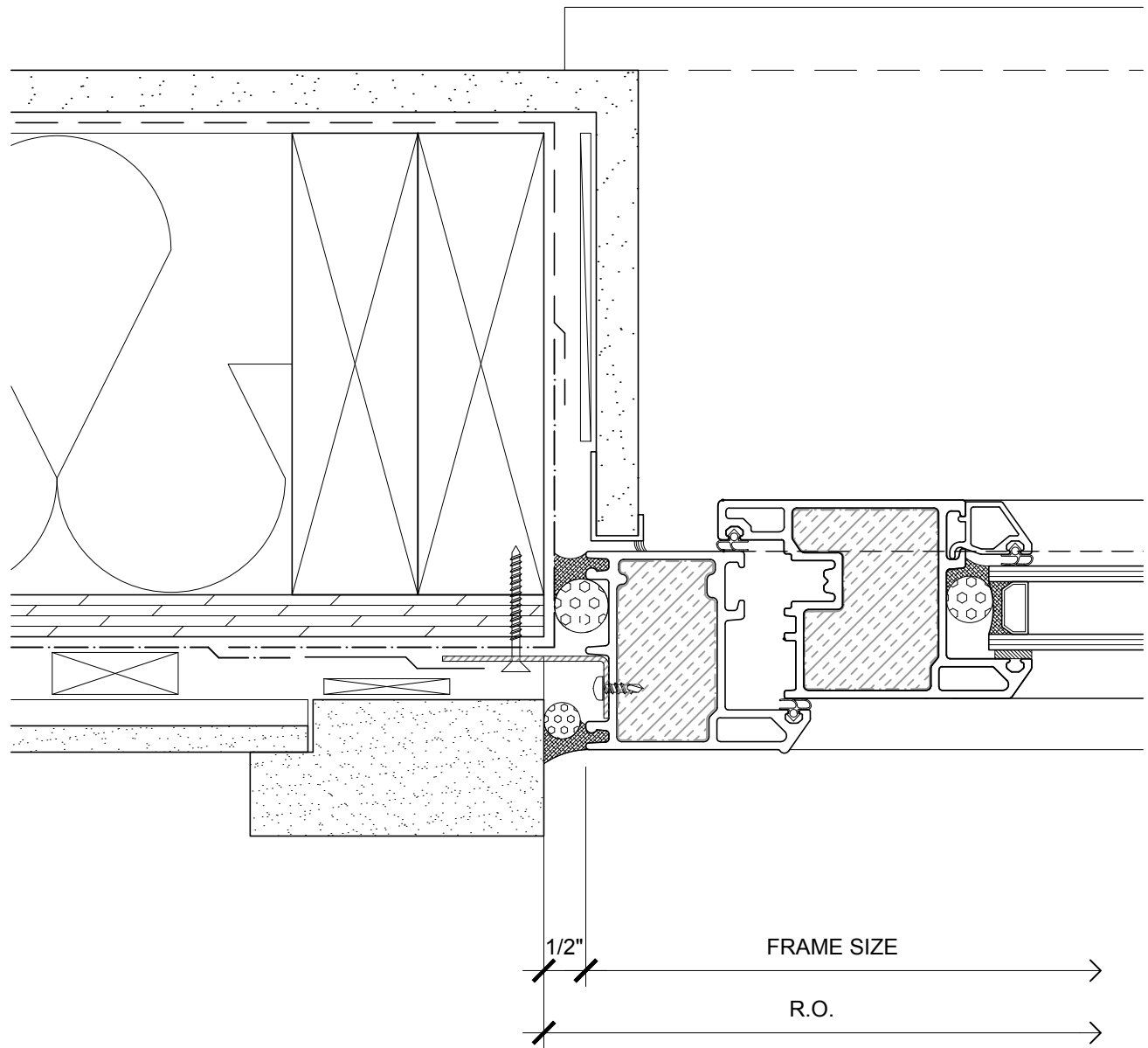
SECTION

NOTE: PROVIDE WATERPROOF SUB-SILL WITH POSITIVE DRAINAGE TO EXTERIOR



CASCADIA WINDOWS LTD.
2160 CLOUDESTER WAY
LANGLEY, BC CANADA V4W 3Y5

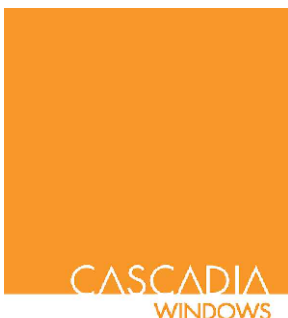
SERIES: SERIES 301 INSWING DOOR (DUAL ACTION) WITH FLANGE [FL] AND INTERIOR SILL ANGLE		DRAWING NO.: 301FL(C)-1.02
DRAWING TITLE: TYPICAL DOOR THRESHOLD RAINSCREEN WALL ASSEMBLY, CEMENT BOARD CLADDING (C)		PROJECT NO.: -
ISSUE	DESCRIPTION	DATE
1	VERSION 1	
		SCALE: 6" = 1'-0"
		DATE:
		DRAWN BY:
		CHECKED BY: -



NOTE: THIS DETAIL IS FOR GENERAL ARRANGEMENT PURPOSES ONLY, AND DOES NOT NECESSARILY REPRESENT A DETAIL THAT IS APPROPRIATE FOR A SPECIFIC PROJECT. PRODUCTS AND ACCESSORIES PROVIDED BY CASCADIA MUST BE CONFIRMED FOR SPECIFIC PROJECTS.

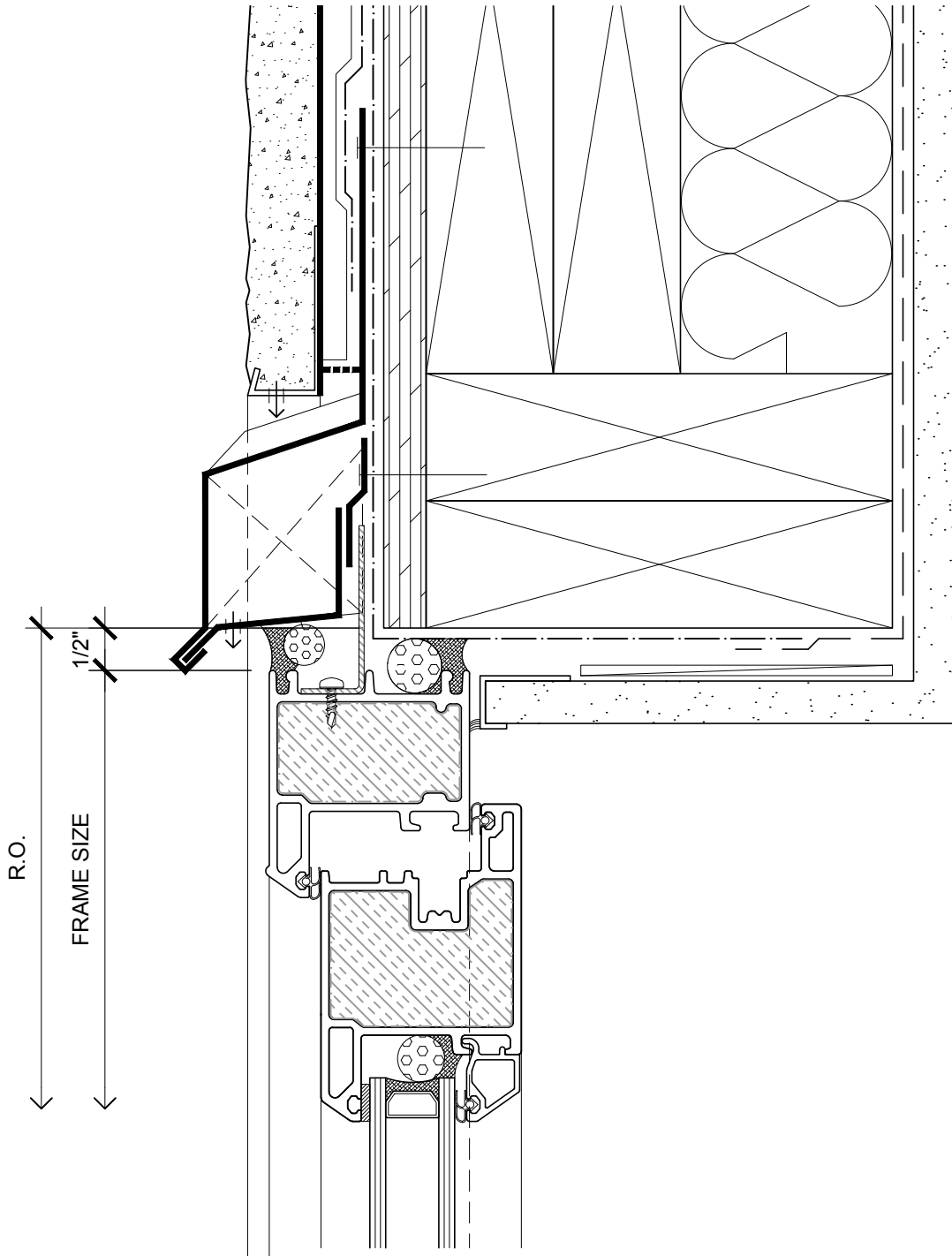
PLAN

NOTE: COMPATIBLE WITH RETRACTABLE TYPE INSECT SCREENS. BRICK MOULD TRIM AND FRAME EXTENDER TRIM AVAILABLE



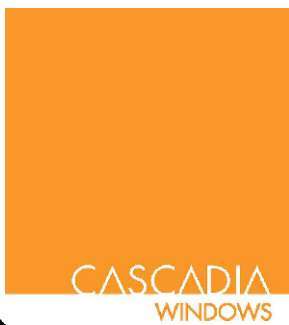
CASCADIA WINDOWS LTD.
2160 CLOUCES TER. MARK
LANGLEY, BC CANADA V4W 3Y5

SERIES: SERIES 301 INSWING DOOR (DUAL ACTION) WITH FLANGE [FL] AND INTERIOR SILL ANGLE		DRAWING NO.: 301FL(C)-1.03
DRAWING TITLE: TYPICAL DOOR JAMB RAINSCREEN WALL ASSEMBLY, CEMENT BOARD CLADDING (C)		PROJECT NO.: -
ISSUE	DESCRIPTION	DATE
1	VERSION 1	
		SCALE: 6" = 1'-0"
		DATE:
		DRAWN BY:
		CHECKED BY: -



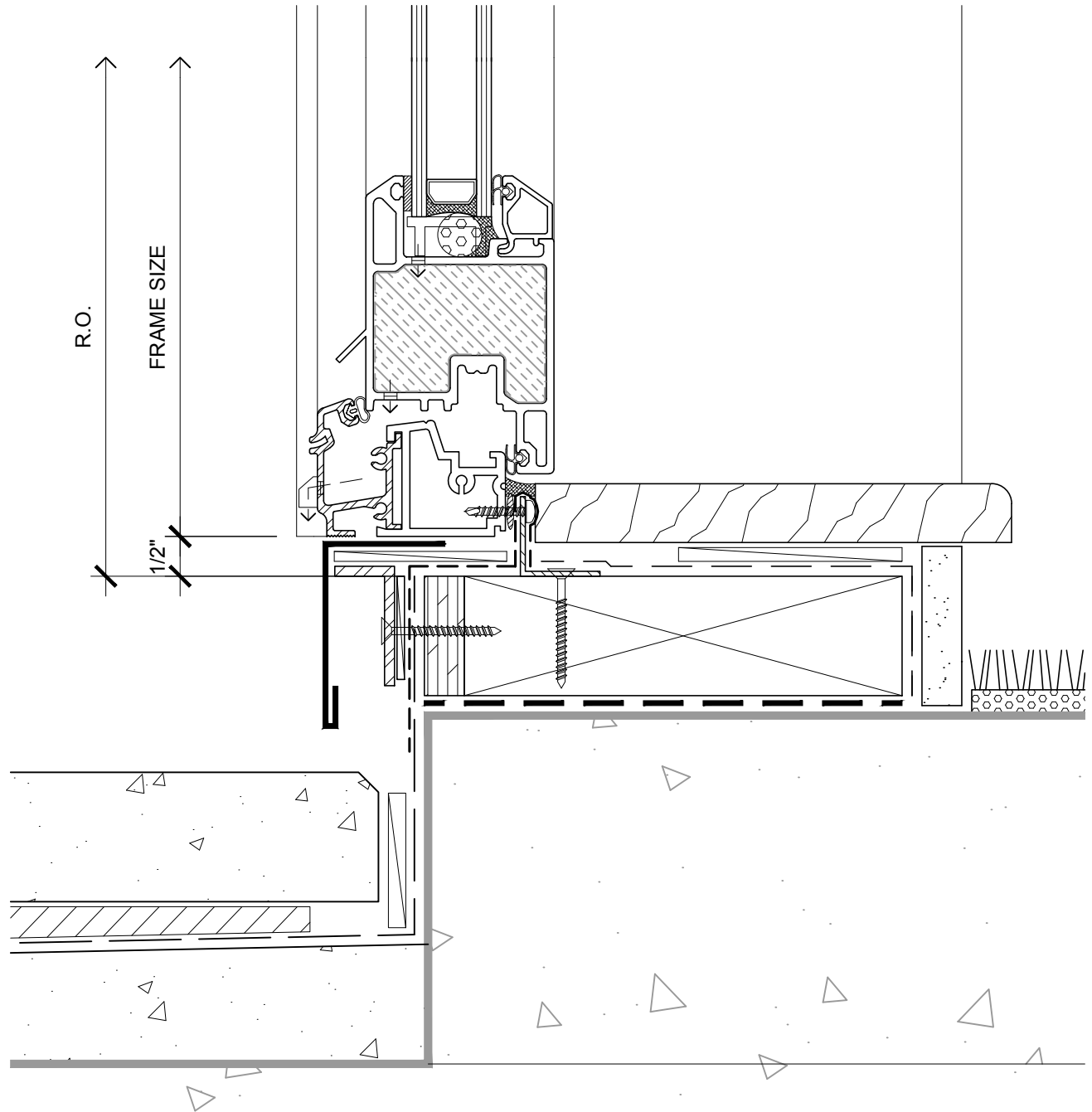
NOTE: THIS DETAIL IS FOR GENERAL ARRANGEMENT PURPOSES ONLY, AND DOES NOT NECESSARILY REPRESENT A DETAIL THAT IS APPROPRIATE FOR A SPECIFIC PROJECT. PRODUCTS AND ACCESSORIES PROVIDED BY CASCADIA MUST BE CONFIRMED FOR SPECIFIC PROJECTS.

SECTION



CASCADIA WINDOWS LTD.
 2460 CLOUDESTER WAY
 LANGLEY, BC CANADA V4W 3Y5

SERIES: SERIES 301 INSWING DOOR (DUAL ACTION) WITH FLANGE [FL] AND INTERIOR SILL ANGLE		DRAWING NO.: 301FL(S)-1.01	
DRAWING TITLE: TYPICAL DOOR HEAD RAINSCREEN WALL ASSEMBLY, STUCCO CLADDING (S)		PROJECT NO.: -	
ISSUE	DESCRIPTION	DATE	SCALE: 6" = 1'-0"
1	VERSION 1		DATE:
			DRAWN BY:
			CHECKED BY: -



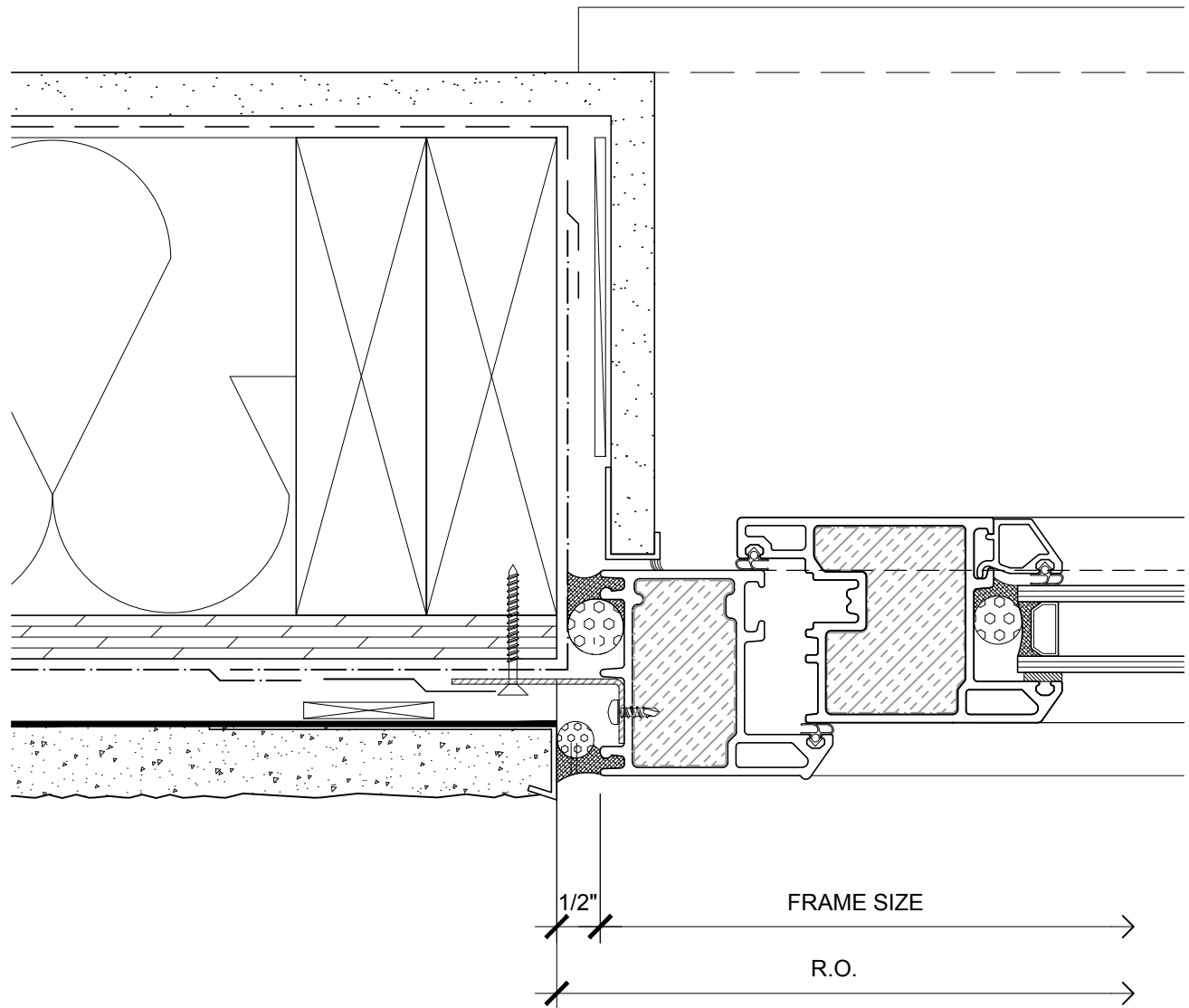
NOTE: THIS DETAIL IS FOR GENERAL ARRANGEMENT PURPOSES ONLY, AND DOES NOT NECESSARILY REPRESENT A DETAIL THAT IS APPROPRIATE FOR A SPECIFIC PROJECT. PRODUCTS AND ACCESSORIES PROVIDED BY CASCADIA MUST BE CONFIRMED FOR SPECIFIC PROJECTS.

SECTION

NOTE: PROVIDE WATERPROOF SUB-SILL WITH POSITIVE DRAINAGE TO EXTERIOR



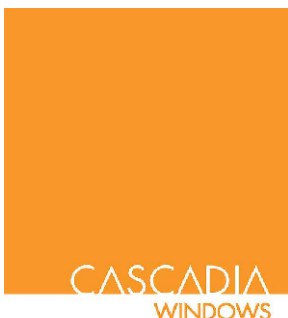
SERIES: SERIES 301 INSWING DOOR (DUAL ACTION) WITH FLANGE [FL] AND INTERIOR SILL ANGLE		DRAWING NO.: 301FL(S)-1.02	
DRAWING TITLE: TYPICAL DOOR THRESHOLD RAINSCREEN WALL ASSEMBLY, STUCCO CLADDING (S)		PROJECT NO.: -	
ISSUE	DESCRIPTION	DATE	SCALE: 6" = 1'-0"
1	VERSION 1		DATE:
			DRAWN BY:
			CHECKED BY: -



NOTE: THIS DETAIL IS FOR GENERAL ARRANGEMENT PURPOSES ONLY, AND DOES NOT NECESSARILY REPRESENT A DETAIL THAT IS APPROPRIATE FOR A SPECIFIC PROJECT. PRODUCTS AND ACCESSORIES PROVIDED BY CASCADIA MUST BE CONFIRMED FOR SPECIFIC PROJECTS.

PLAN

NOTE: COMPATIBLE WITH RETRACTABLE TYPE INSECT SCREENS. BRICK MOULD TRIM AND FRAME EXTENDER TRIM AVAILABLE



CASCADIA WINDOWS LTD.
2460 CLOUDESTER WAY
LANGLEY, BC CANADA V4W 3Y5

SERIES: SERIES 301 INSWING DOOR (DUAL ACTION) WITH FLANGE [FL] AND INTERIOR SILL ANGLE		DRAWING NO.: 301FL(S)-1.03
DRAWING TITLE: TYPICAL DOOR JAMB RAINSCREEN WALL ASSEMBLY, STUCCO CLADDING (S)		PROJECT NO.: -
ISSUE	DESCRIPTION	DATE
1	VERSION 1	
		SCALE: 6" = 1'-0"
		DATE:
		DRAWN BY:
		CHECKED BY: -