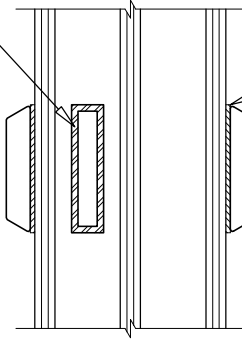


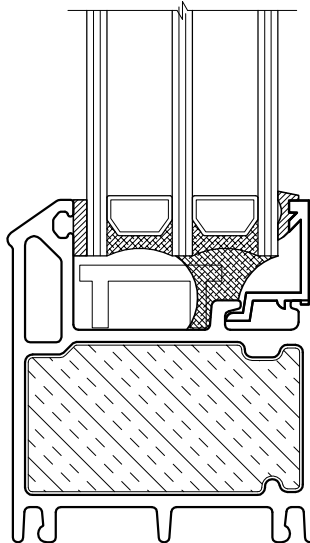
1/4"x1" ALUM. SDL BY
CARDINAL INDUSTRIES



ADHESIVE TAPE
1"x3/16" FIBERGLASS
BY CASCADIA

EXT.

INT.



NOTE: THIS DETAIL IS FOR GENERAL ARRANGEMENT PURPOSES ONLY,
AND DOES NOT NECESSARILY REPRESENT A DETAIL THAT IS APPROPRIATE
FOR A SPECIFIC PROJECT. PRODUCTS AND ACCESSORIES PROVIDED BY
CASCADIA MUST BE CONFIRMED FOR SPECIFIC PROJECTS.



CASCADIA WINDOWS LTD.
27080 GLOUCESTER WAY
LANGLEY, BC CANADA, V4W 3Y5

SERIES:			300 SERIES		DRAWING NO.:	300SDL
DRAWING TITLE:			SDL Bar for Triple IGU		PROJECT NO.:	
ISSUE	DESCRIPTION	DATE	SCALE:	NTS		
			DATE:			
			DRAWN BY:			
			CHECKED BY:			