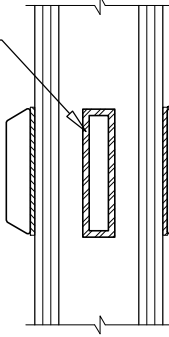


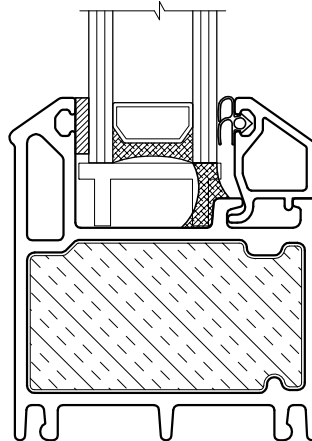
1/4"x1" ALUM. SDL BY
CARDINAL INDUSTRIES



ADHESIVE TAPE
1"x3/16" FIBERGLASS
BY CASCADIA

EXT.

INT.



NOTE: THIS DETAIL IS FOR GENERAL ARRANGEMENT PURPOSES ONLY,
AND DOES NOT NECESSARILY REPRESENT A DETAIL THAT IS APPROPRIATE
FOR A SPECIFIC PROJECT. PRODUCTS AND ACCESSORIES PROVIDED BY
CASCADIA MUST BE CONFIRMED FOR SPECIFIC PROJECTS.



CASCADIA WINDOWS LTD.
2700 GLOUCESTER WAY
LANGLEY, BC CANADA, V4W 3T5

SERIES:			DRAWING NO.:	
300 SERIES			300SDL	
DRAWING TITLE:			PROJECT NO.:	
SDL Bar for Dual IGU				
ISSUE	DESCRIPTION	DATE	SCALE:	NTS
			DATE:	
			DRAWN BY:	
			CHECKED BY:	