



SEAL:

PROJECT TITLE:

ISSUE	DESCRIPTION	DATE
1	UPDATED	OCT 2014
2	UPDATED	MAR 2016

DRAWING TITLE:

SERIES 300 WINDOWS
INSWING TILT AND TURN,
CASEMENT AND HOPPER

SCALE: 6" = 1'-0"

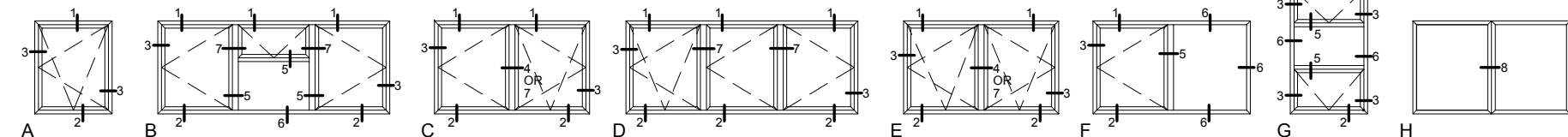
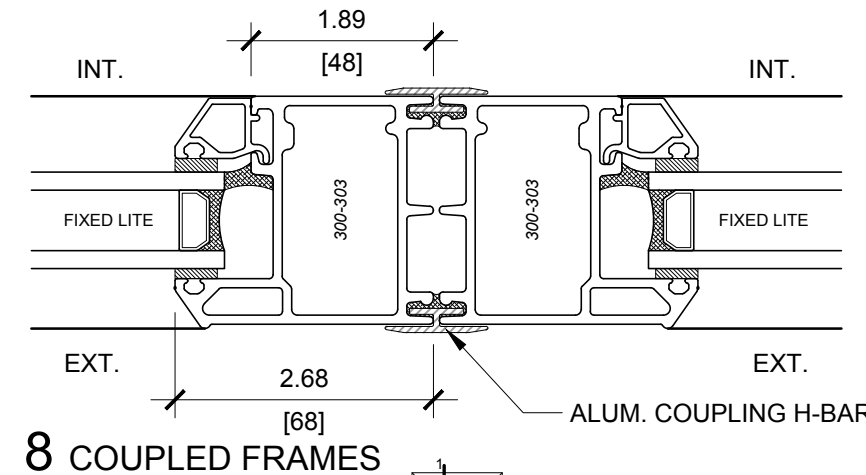
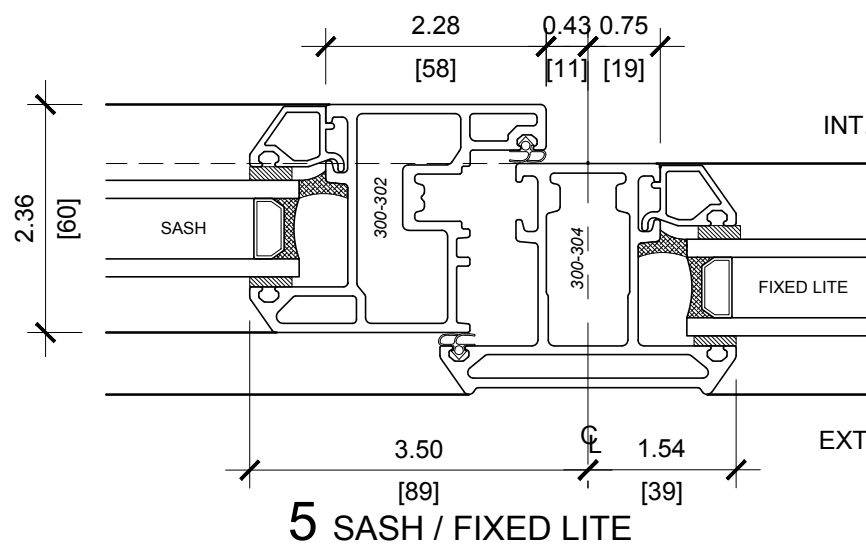
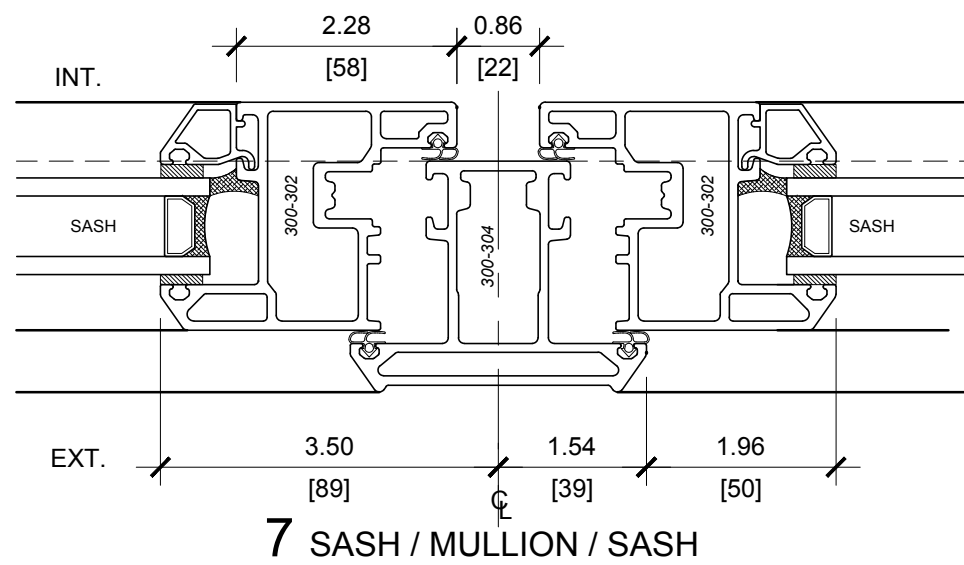
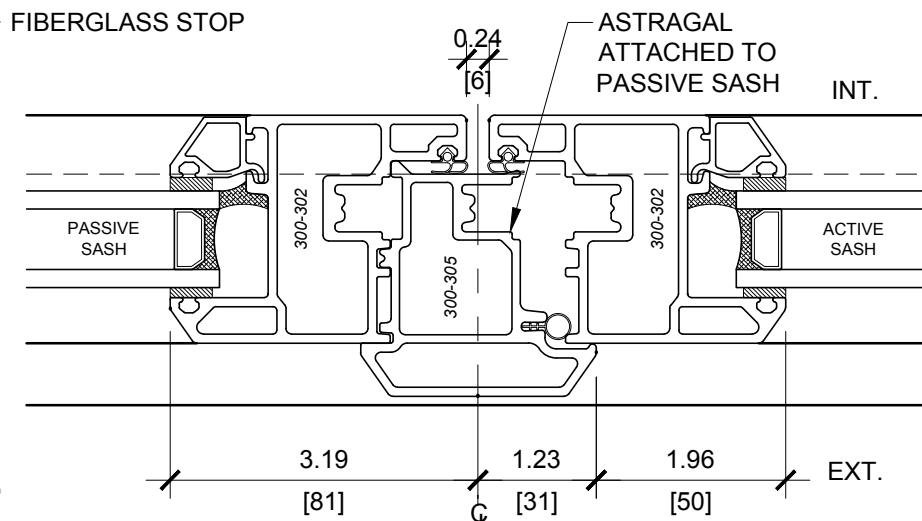
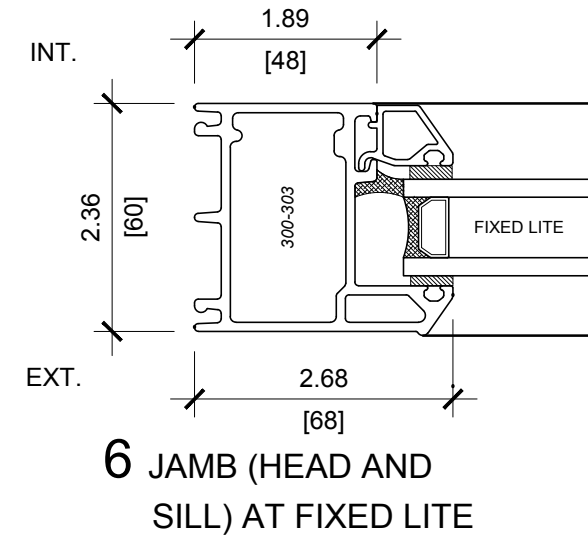
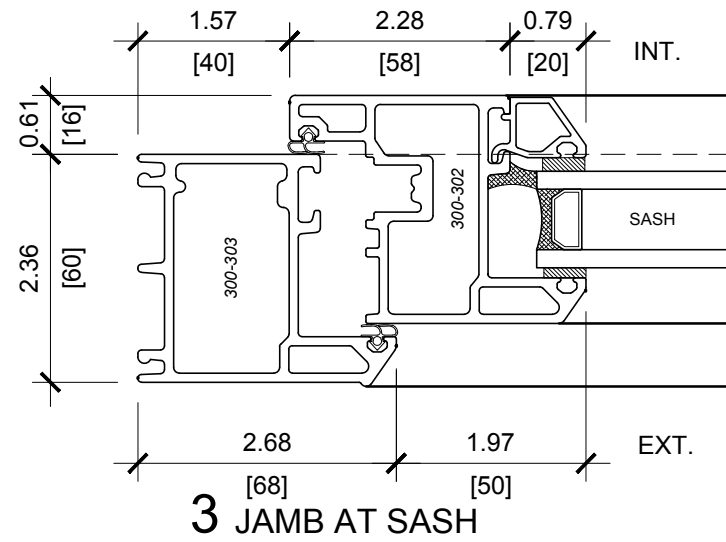
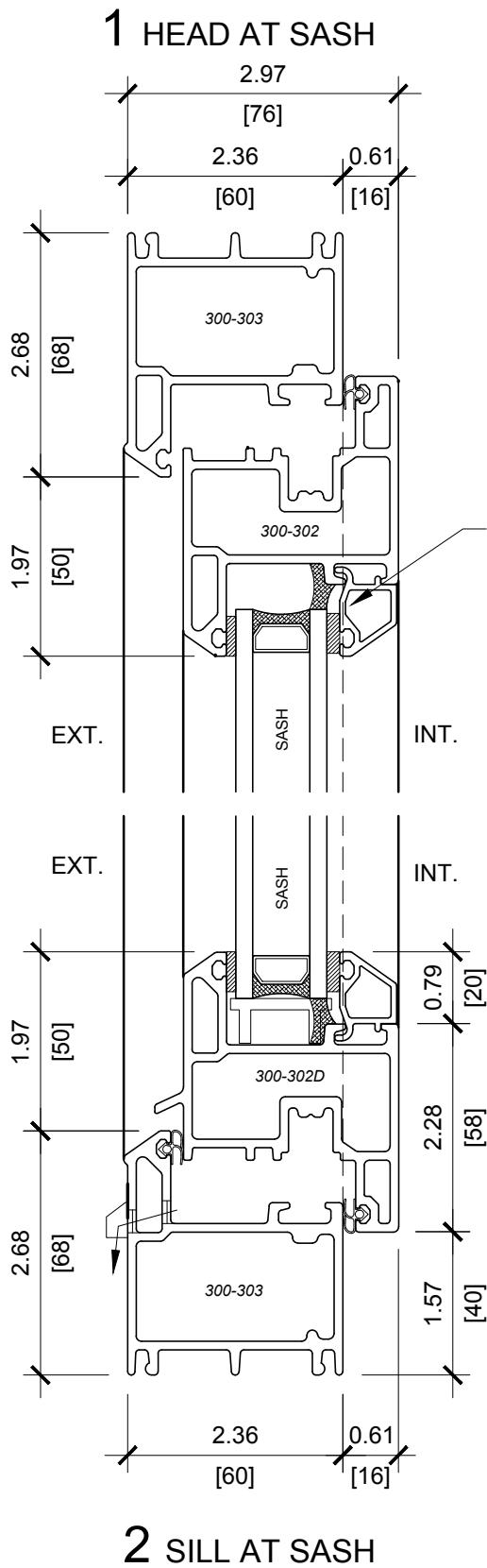
DATE:

DRAWN BY:

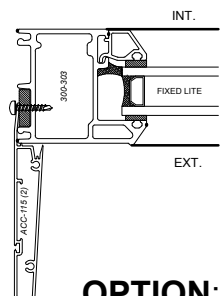
CHECKED BY:

DRAWING NO.:

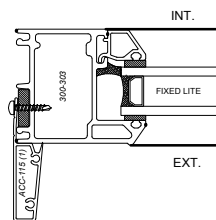
S-300



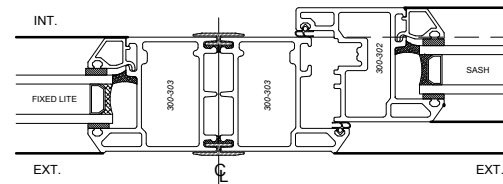
March 22 2016 11:03 AM



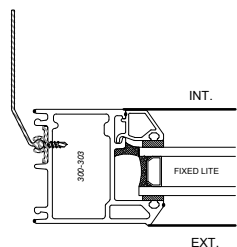
OPTION:
3 1/4" ALUM. FRAME
EXTENDER
SCALE: 3" = 1'-0"
(NOT AVAILABLE WITH
NAIL FLANGE)



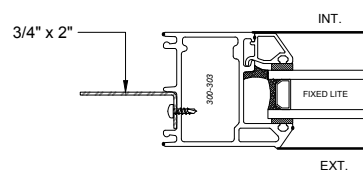
OPTION:
1 5/8" ALUM. FRAME
EXTENDER
SCALE: 3" = 1'-0"
(NOT AVAILABLE WITH
NAIL FLANGE)



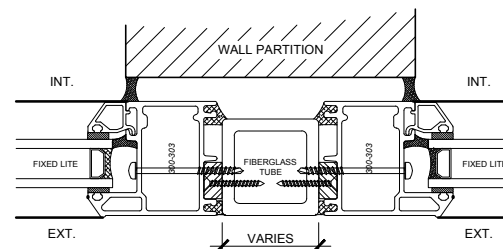
OPTION:
COUPLED FIXED AND SASH
SCALE: 3" = 1'-0"



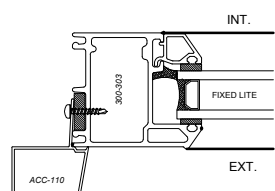
STANDARD:
ALUM. CLIP WITH
SUB-CLIP
(SEE TYP. INSTALL DETAILS)
SCALE: 3" = 1'-0"



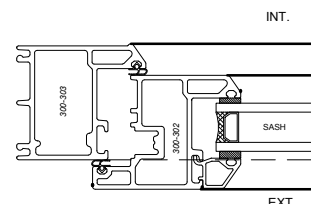
OPTION:
ALUM. FLANGE
(SEE TYP. INSTALL DETAILS)
SCALE: 3" = 1'-0"



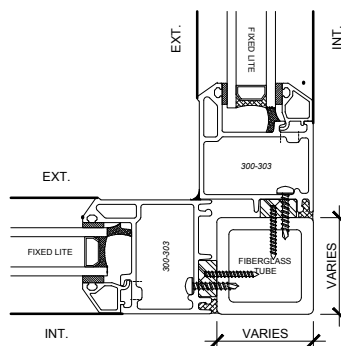
OPTION:
STRAIGHT CONNECTION ALONG
AN INTERIOR PARTITION
SCALE: 3" = 1'-0"



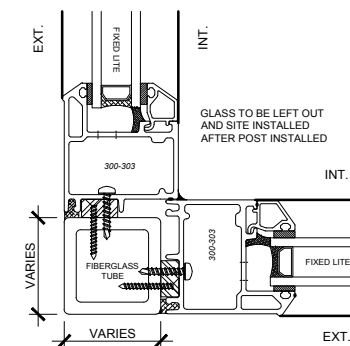
OPTION:
ALUM. BRICK
MOULD
SCALE: 3" = 1'-0"



OPTION:
OUTSWING WINDOW
SCALE: 3" = 1'-0"



OPTION:
INNER CORNER JOINT
SCALE: 3" = 1'-0"



OPTION:
OUTER CORNER JOINT
SCALE: 3" = 1'-0"

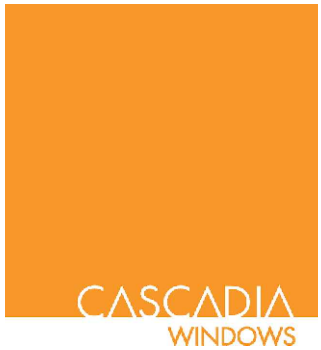
SEAL:

PROJECT TITLE:

ISSUE	DESCRIPTION	DATE
1	UPDATED	OCT 2014
2	UPDATED	MAR 2016

DRAWING
TITLE:
SERIES 300 WINDOWS
INSWING TILT AND TURN,
CASEMENT AND HOPPER

SCALE: 6" = 1'-0"	DRAWING NO.: S-300
DATE:	
DRAWN BY:	
CHECKED BY:	



SEAL:

PROJECT TITLE:

ISSUE	DESCRIPTION	DATE
1	UPDATED	OCT 2014
2	UPDATED	MAR 2016

DRAWING TITLE:
SERIES 300 WINDOWS
 INSWING TILT AND TURN,
 CASEMENT AND HOPPER
 -TRIPLE GLAZED UNIT

SCALE: 6" = 1'-0"
 DATE:
 DRAWN BY:
 CHECKED BY:

DRAWING NO.:
S-300

