



SEAL:

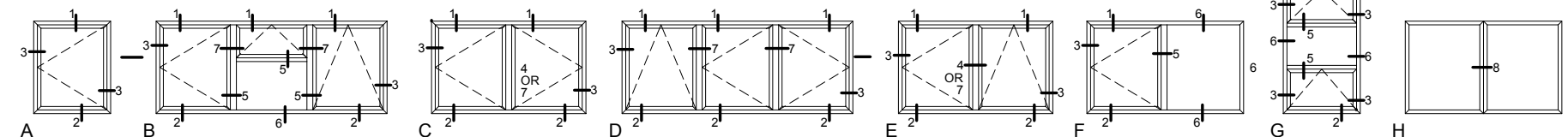
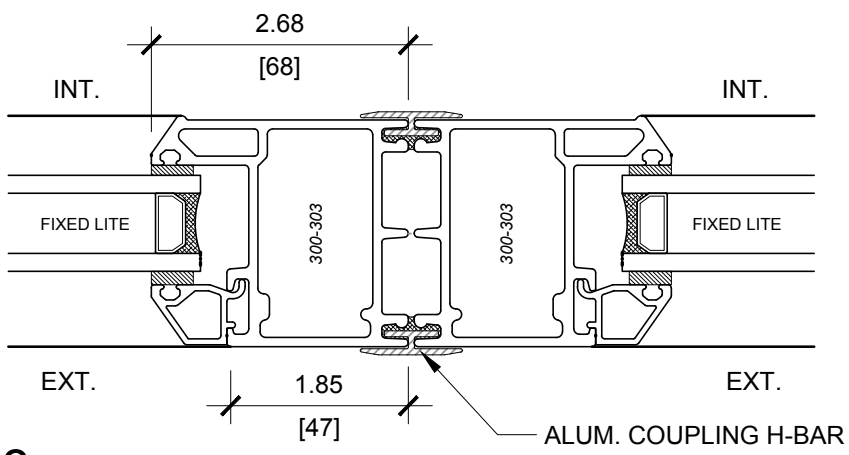
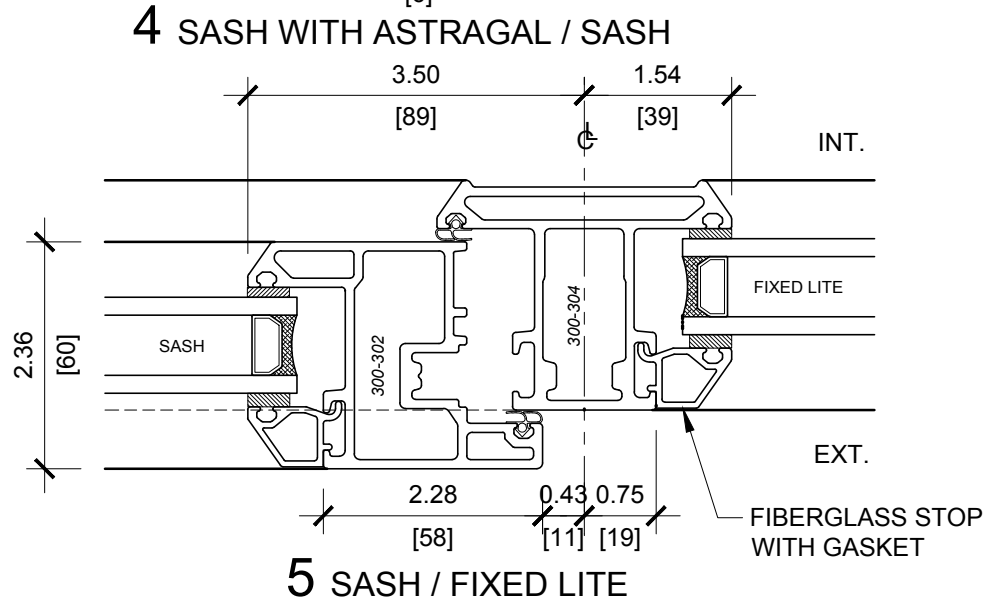
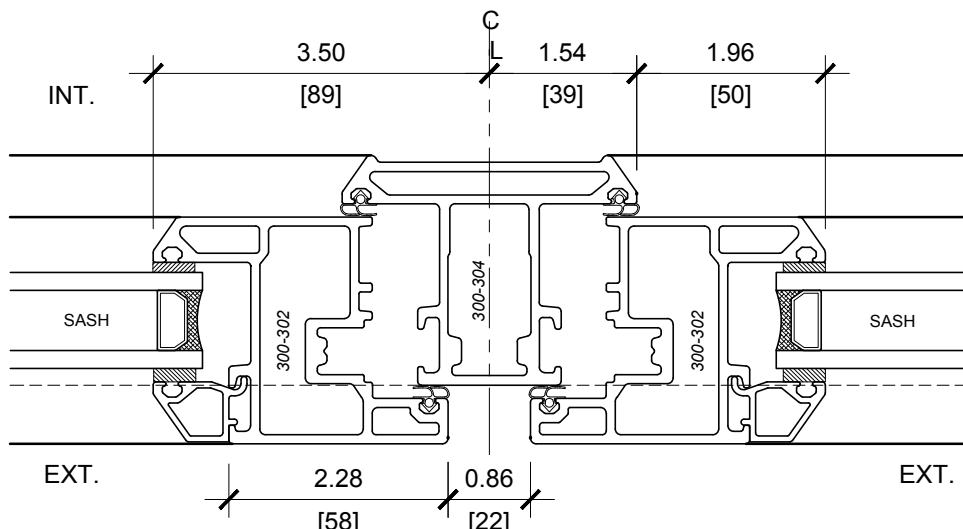
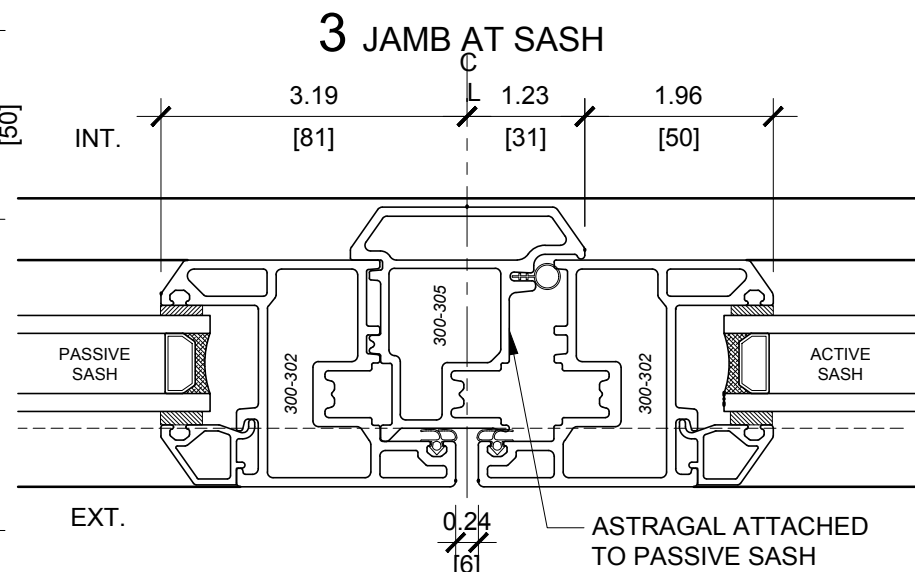
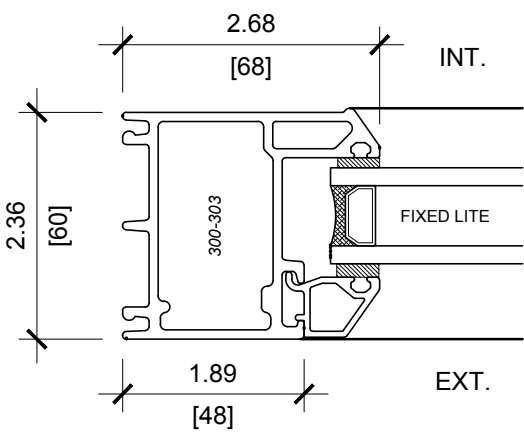
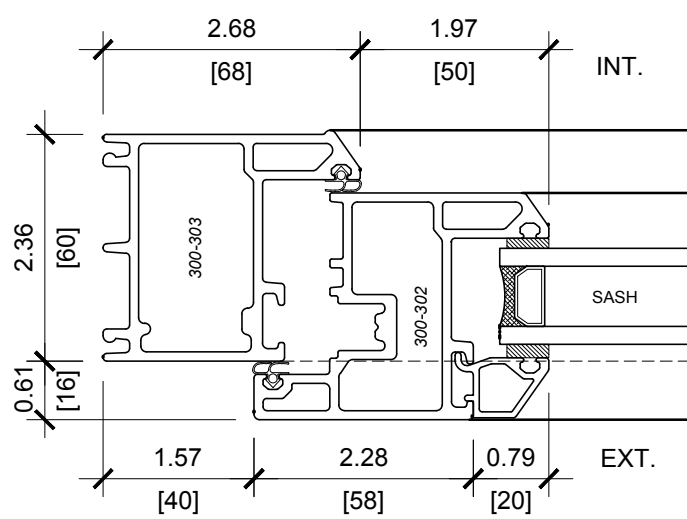
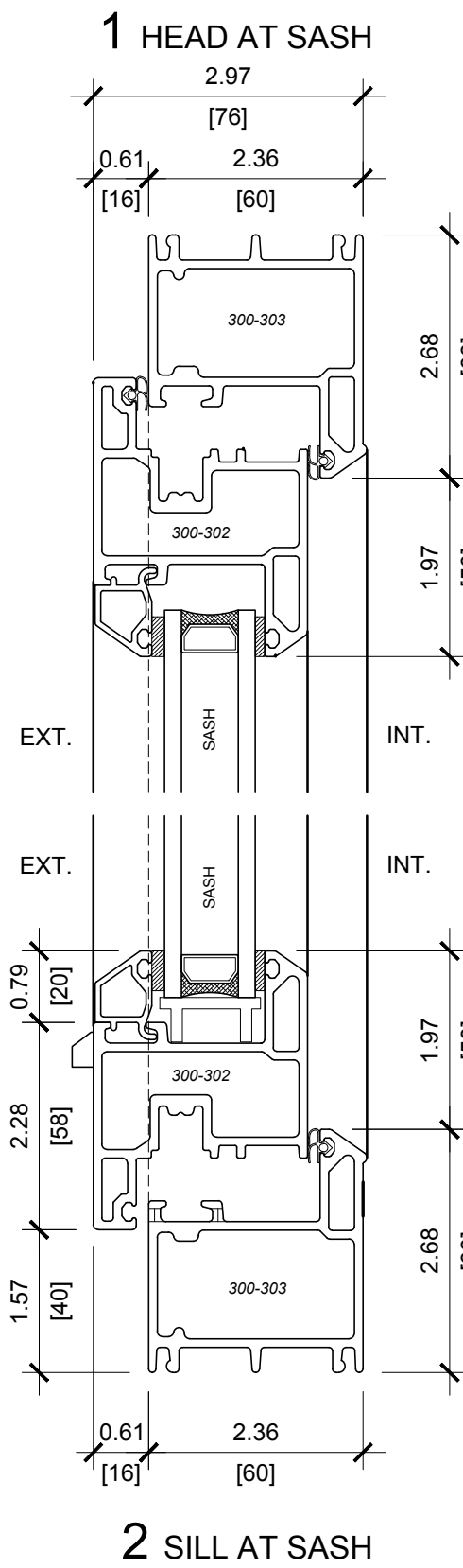
PROJECT TITLE:

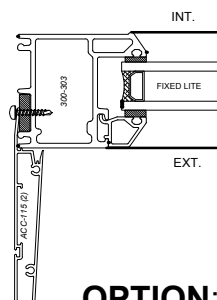
ISSUE	DESCRIPTION	DATE
1	UPDATED	OCT 2014
2	UPDATED	MAR 2016

DRAWING TITLE:
SERIES 300A WINDOWS
 OUTSWING CASEMENT AND
 AWNING

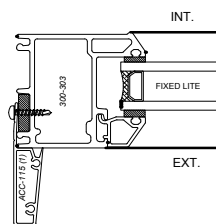
SCALE: 6" = 1'-0"
 DATE:
 DRAWN BY:
 CHECKED BY:

DRAWING NO.:
300A

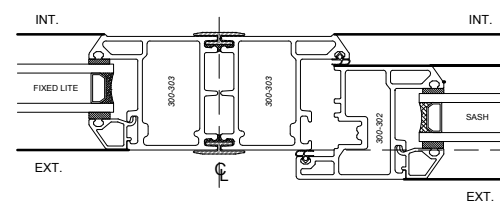




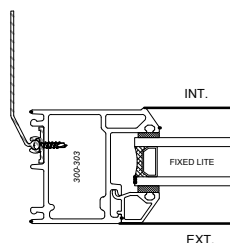
OPTION:
3 1/4" ALUM. FRAME
EXTENDER
SCALE: 3" = 1'-0"
(NOT AVAILABLE WITH
NAIL FLANGE)



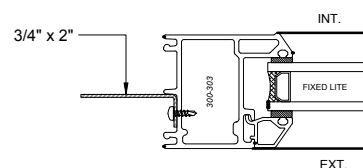
OPTION:
1 5/8" ALUM. FRAME
EXTENDER
SCALE: 3" = 1'-0"
(NOT AVAILABLE WITH
NAIL FLANGE)



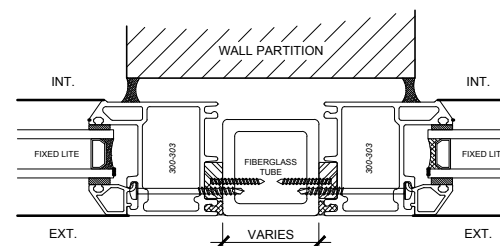
OPTION:
COUPLED FIXED AND SASH
SCALE: 3" = 1'-0"



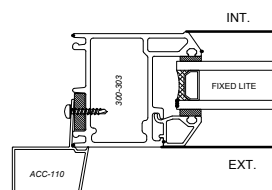
STANDARD:
ALUM. CLIP WITH
SUB-CLIP
(SEE TYP. INSTALL DETAILS)
SCALE: 3" = 1'-0"



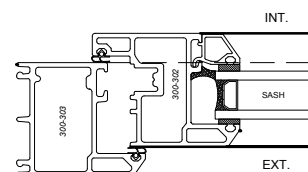
OPTION:
ALUM. NAIL FLANGE
(SEE TYP. INSTALL DETAILS)
SCALE: 3" = 1'-0"



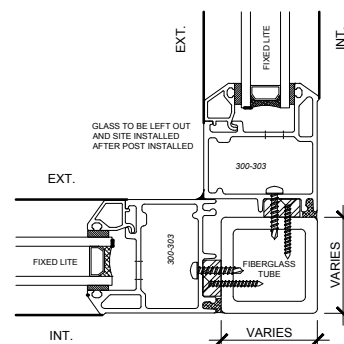
OPTION:
STRAIGHT CONNECTION ALONG
AN INTERIOR PARTITION
SCALE: 3" = 1'-0"



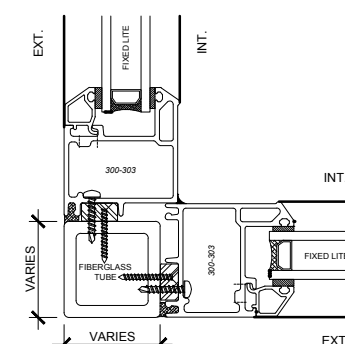
OPTION:
ALUM. BRICK MOULD
SCALE: 3" = 1'-0"
(NOT AVAILABLE WITH
NAIL FLANGE)



OPTION:
INSWING WINDOW
SCALE: 3" = 1'-0"



OPTION:
INNER CORNER JOINT
SCALE: 3" = 1'-0"



OPTION:
OUTER CORNER JOINT
SCALE: 3" = 1'-0"

SEAL:

PROJECT TITLE:

ISSUE	DESCRIPTION	DATE
1	UPDATED	OCT 2014
2	UPDATED	MAR 2016

DRAWING
TITLE:

**SERIES 300A WINDOWS
OUTSWING CASEMENT AND
AWNING**

SCALE: 6" = 1'-0"

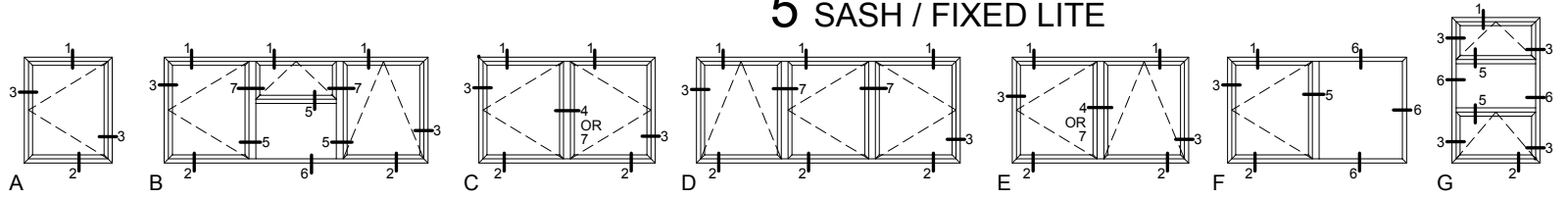
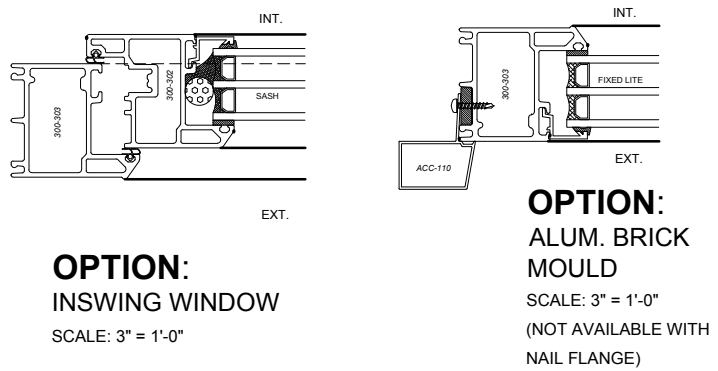
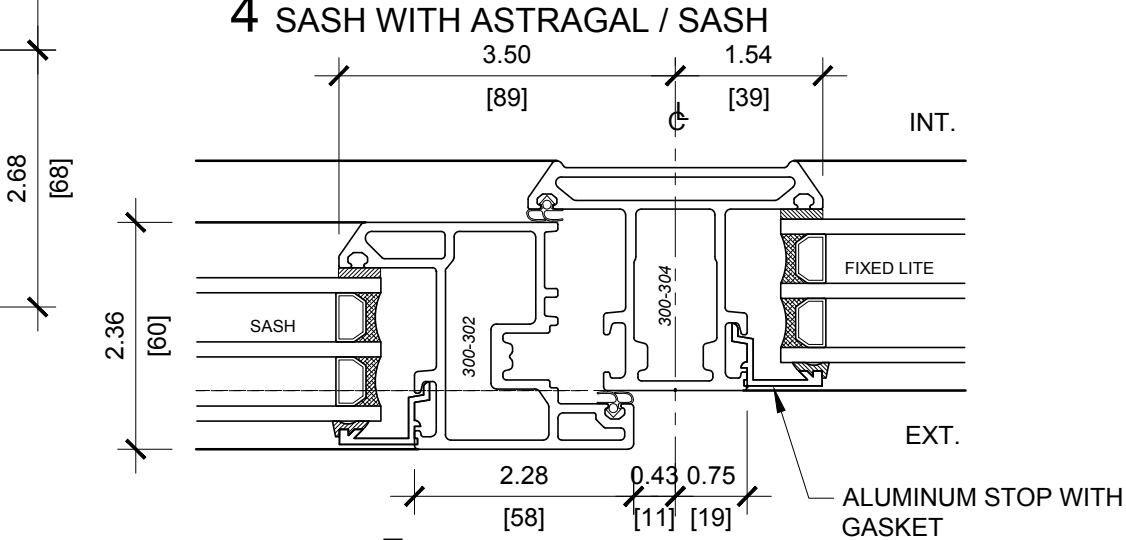
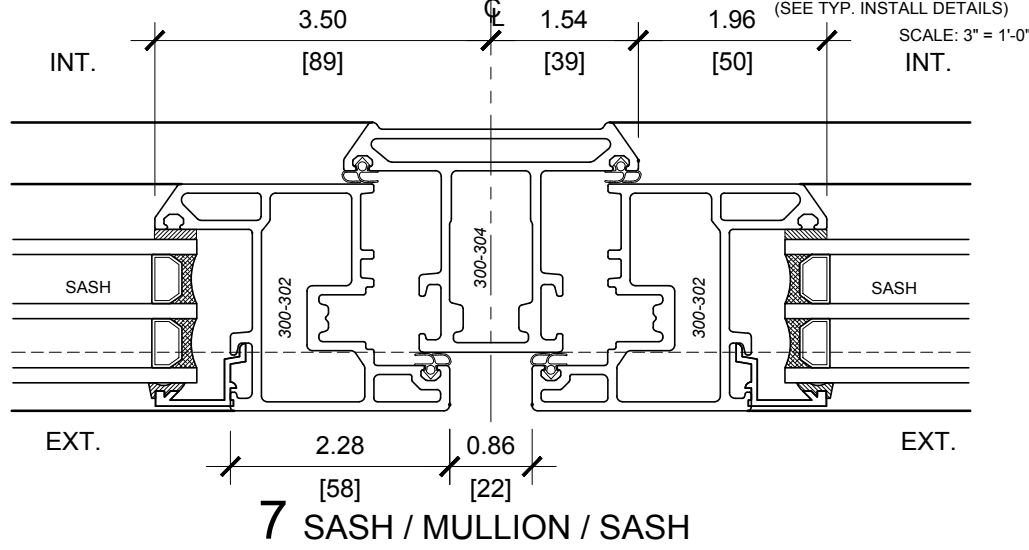
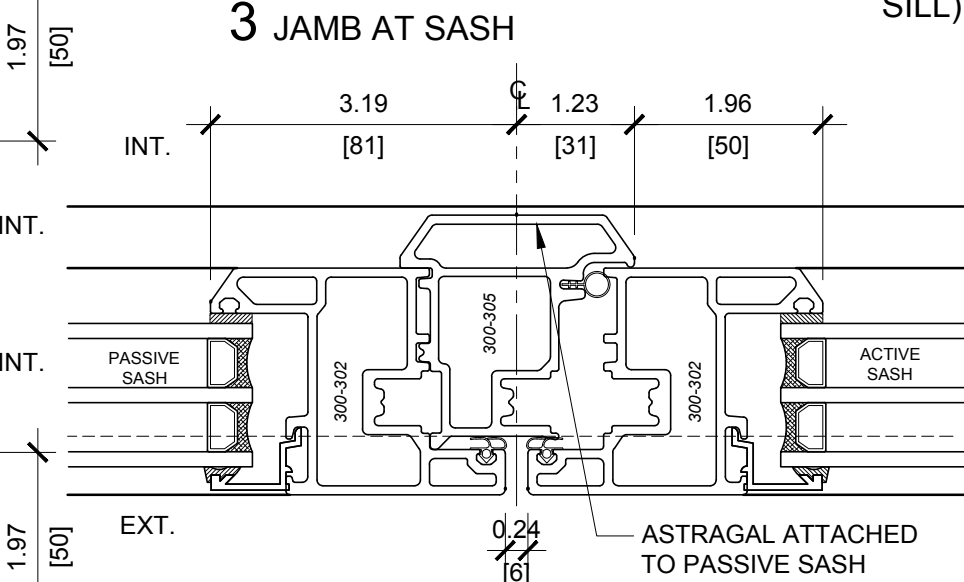
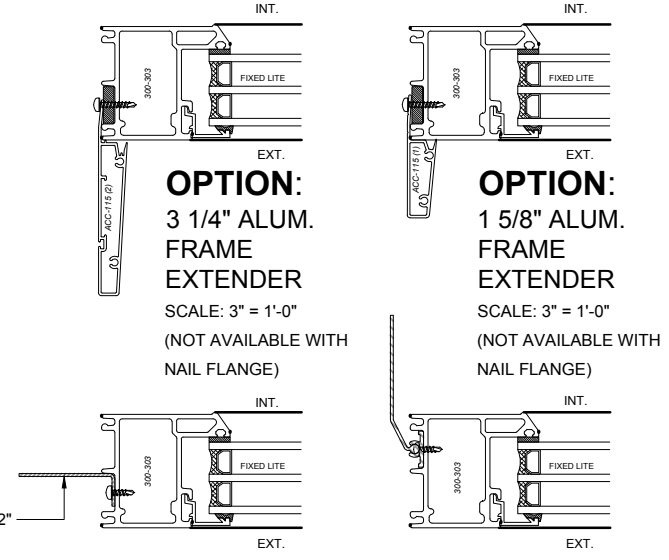
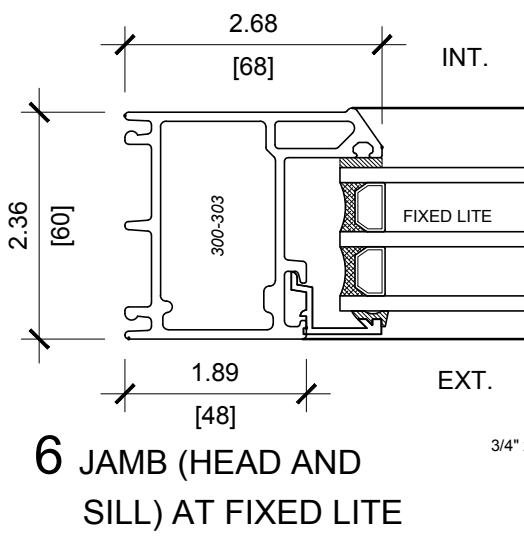
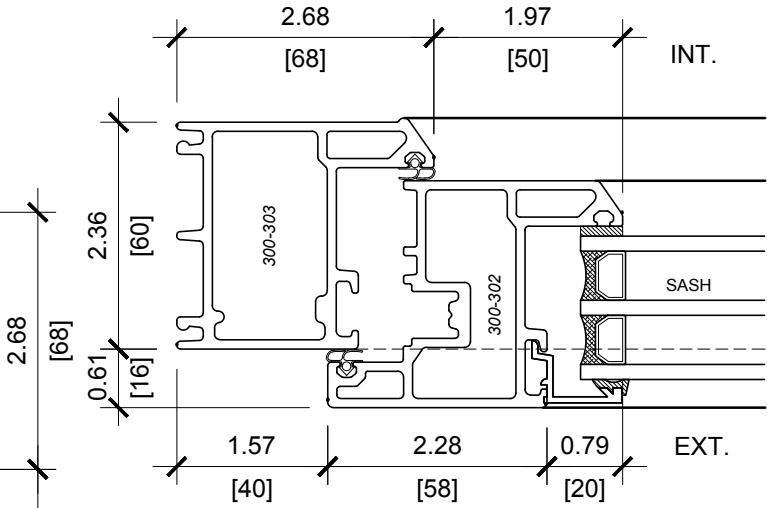
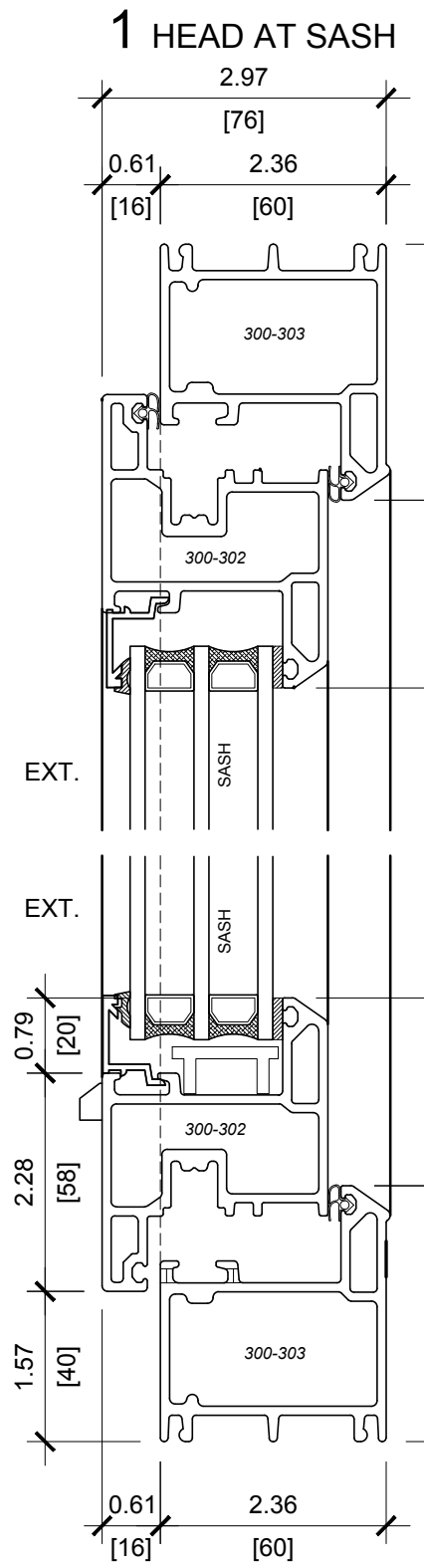
DATE:

DRAWN BY:

CHECKED BY:

DRAWING NO.:

300A



SEAL:

PROJECT TITLE:

ISSUE	DESCRIPTION	DATE
1	UPDATED	OCT 2014
2	UPDATED	MAR 2016

DRAWING TITLE:
SERIES 300A WINDOWS
 OUTSWING CASEMENT AND
 AWNING
 -TRIPLE GLAZED UNIT

SCALE: 6" = 1'-0"
 DATE:
 DRAWN BY:
 CHECKED BY:

DRAWING NO.:
300A