

**CASCADIA
WINDOWS LTD.**

#101-5350 275TH STREET
LANGLEY, BC CANADA V4W 0C1
604-857-4600

LEGEND

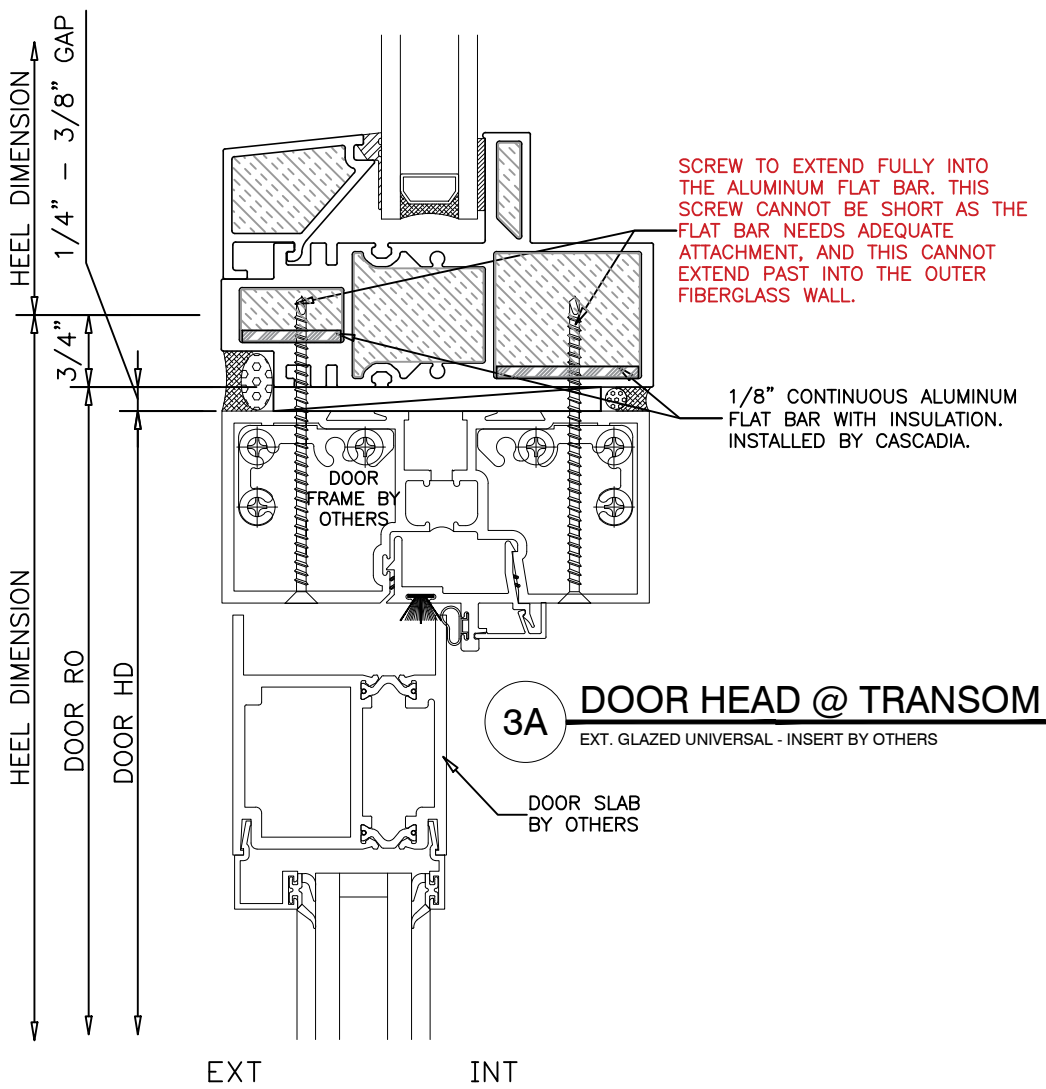
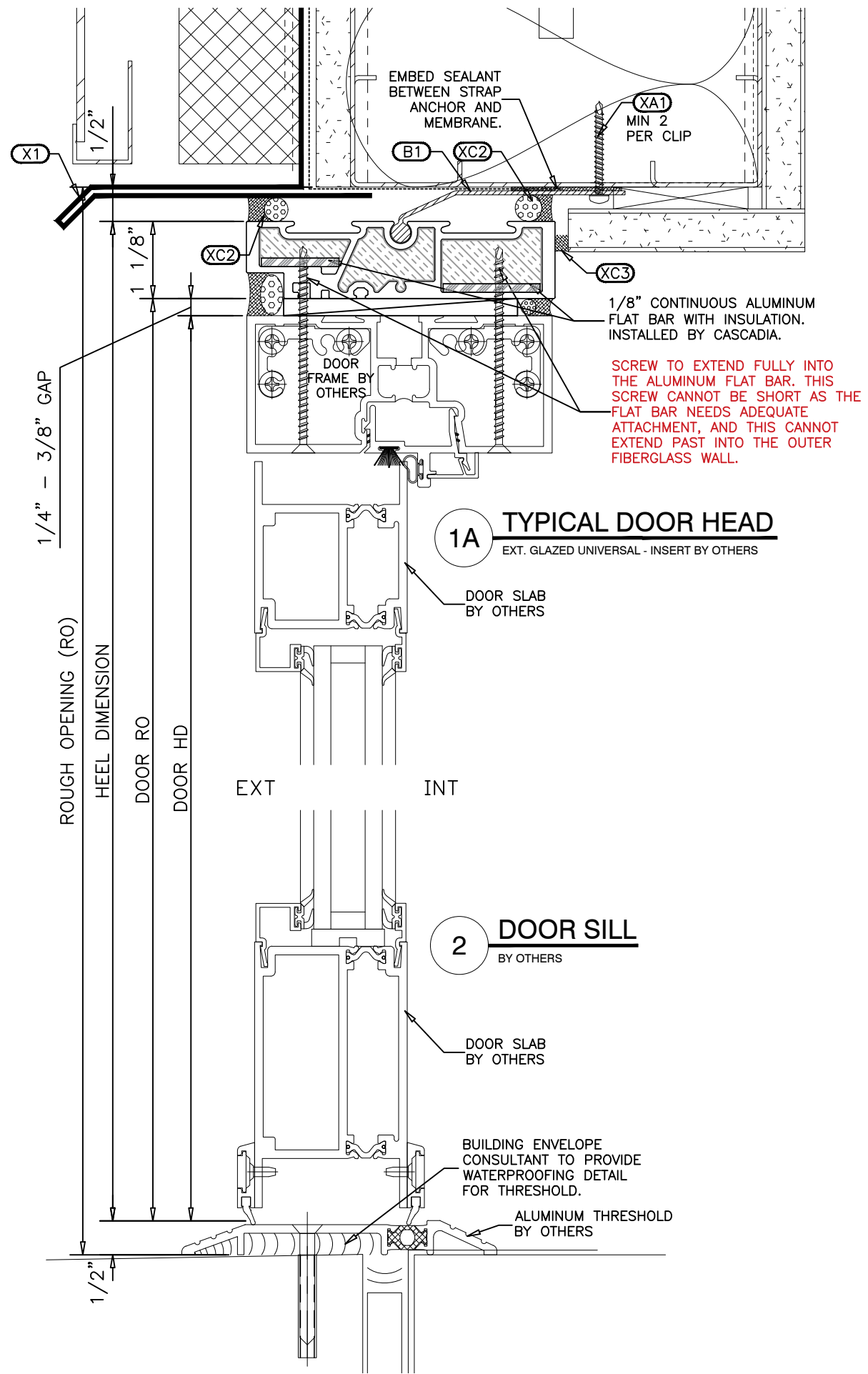
- (XA1) #10 X 1 1/2" STAINLESS STEEL SELF DRILLING SCREWS @ 6" O.C. OR AS NOTED. BY OTHERS
- (XA2) #10 X 3/4" STAINLESS STEEL SELF DRILLING SCREWS @ 6" O.C. BY OTHERS
- (B1) EXTRUDED ALUMINUM UNIVERSAL ANCHOR CLIP BY CASCADIA. SPACING PER ATTACHED GUIDE.
- (B2) CONTINUOUS ALUMINUM SILL ANGLE & COVER CAP BY CASCADIA
- (B3) EXTRUDED ALUMINUM FLASHING ATTACHMENT ANGLE BY CASCADIA.
- (XC1) SEALANT BEAD BETWEEN MEMBRANE AND FRAME BY OTHERS
- (XC2) ROD & SEALANT BY OTHERS
- (XC3) SEALANT BEAD BY OTHERS
- (XD1) PVC SHIMS - 8" O.C. & UNDER EACH VERTICAL. BY OTHERS
- (X1) METAL FLASHING BY OTHERS
- (X2) INTERIOR FINISHES BY OTHERS

PROJECT TITLE:
**UNIVERSAL &
ALUMINUM
DOOR INSERTS**

ISSUE	DESCRIPTION	DATE
1	1ST SUBMITAL	NOV.13/20

DRAWING TITLE:
**INSTALLATION
DETAILS**

SCALE: **N.T.S.** DRAWING NO.:
DATE: **NOV. 13/2020**
DRAWN BY: **RZ** PROJECT # **XXXX**
5.1



NOTES:

- DETAILS ARE FOR STRUCTURAL INSTALLATION PURPOSES ONLY. ALL OTHER DETAILS ARE TO BE REFERENCED TO THE ARCHITECTURAL DRAWINGS AND ENVELOPE DETAILS. CASCADIA WINDOWS & DOORS NEITHER APPROVES NOR DISAPPROVES THE ENVELOPE DETAILS OR STRUCTURE OF THE BUILDING.
- INSTALLERS TO ENSURE THAT WINDOWS & DOORS ARE INSTALLED LEVEL, PLUMB & SQUARE WITH ALL APPROPRIATE FASTENING & SHIMMING.
- REFER TO BUILDING ENVELOPE DETAILS FOR MEMBRANING, SEQUENCING, FINISHING & SEALING INSTRUCTIONS.
- BACKER RODS BEHIND SEALANT BEADS IN GLAZING POCKET ARE A DISCRETIONARY COMPONENT AND ARE REQUIRED ONLY WHEN GAP BETWEEN GLASS AND WINDOW FRAME EXCEEDS APPROXIMATELY 1/8".
- SEE ADDITIONAL COUPLING INSTRUCTIONS WHEN COUPLING IS REQUIRED.

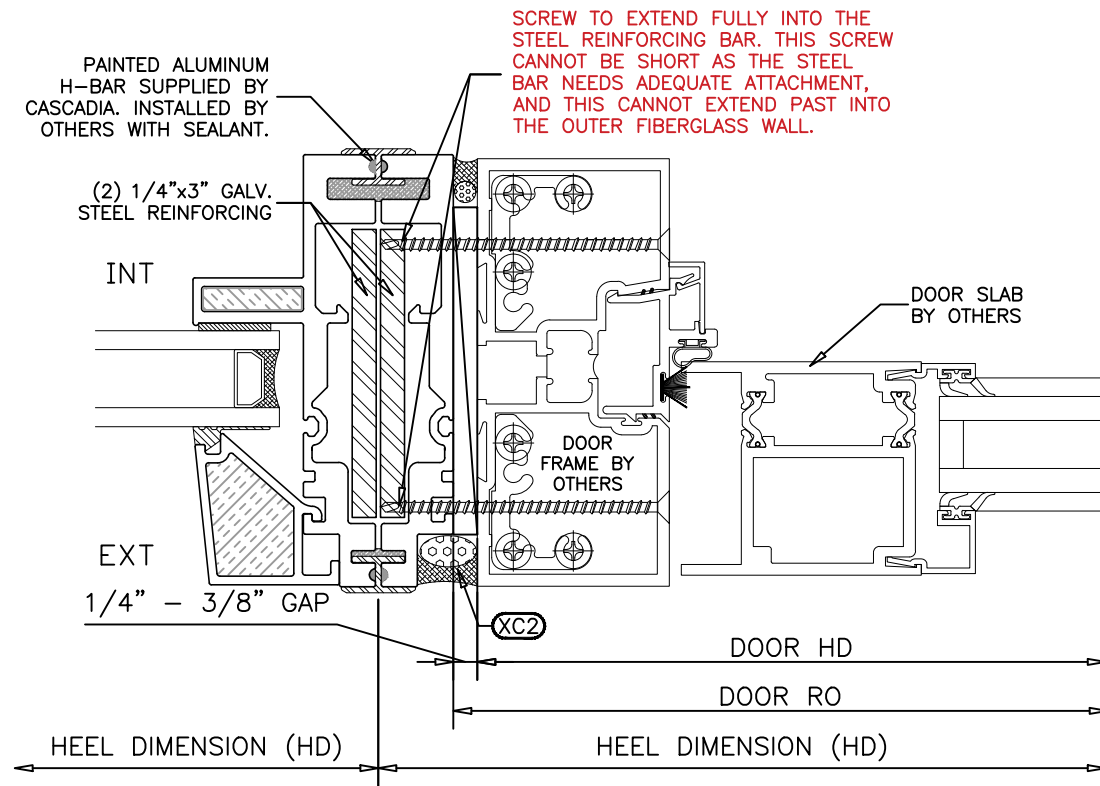


**CASCADIA
WINDOWS LTD.**

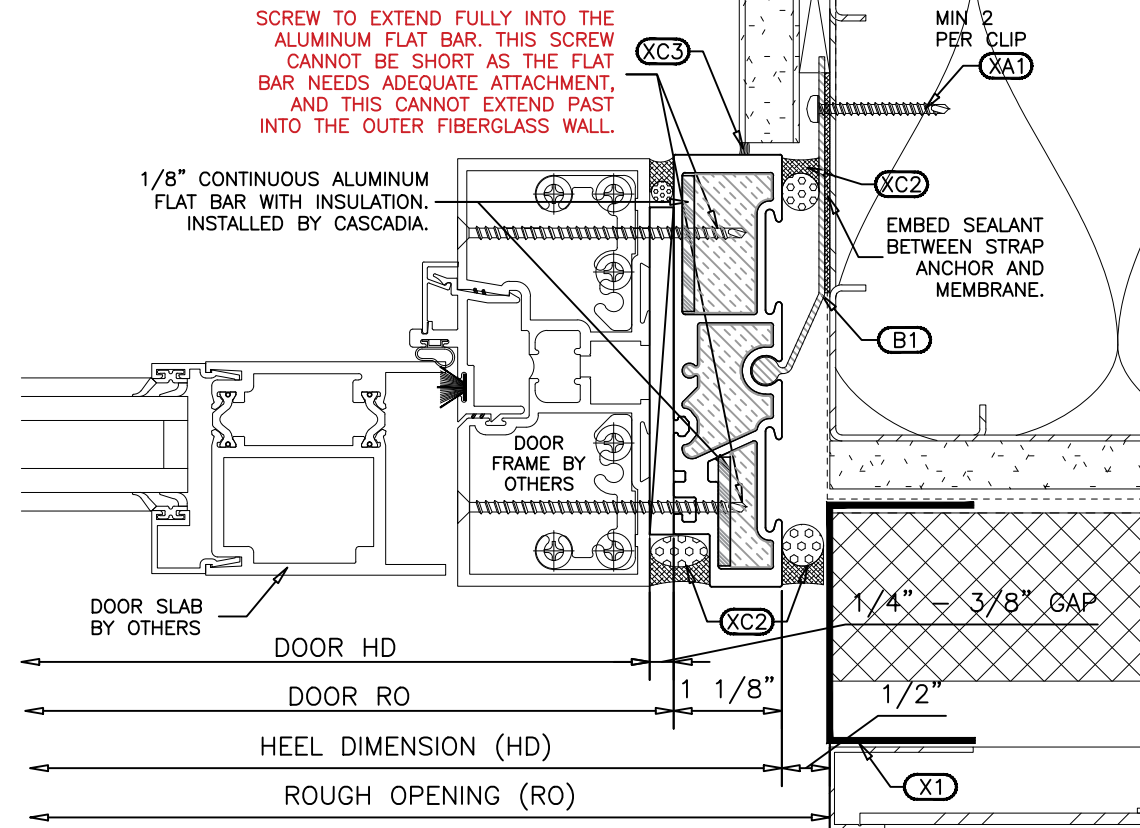
#101-5350 275TH STREET
LANGLEY, BC CANADA V4W 0C1
604-857-4600

LEGEND

- (XA1) #10 X 1 1/2" STAINLESS STEEL SELF DRILLING SCREWS @ 6" O.C. OR AS NOTED. BY OTHERS
- (XA2) #10 X 3/4" STAINLESS STEEL SELF DRILLING SCREWS @ 6" O.C. BY OTHERS
- (B1) EXTRUDED ALUMINUM UNIVERSAL ANCHOR CLIP BY CASCADIA. SPACING PER ATTACHED GUIDE.
- (B2) CONTINUOUS ALUMINUM SILL ANGLE & COVER CAP BY CASCADIA
- (B3) EXTRUDED ALUMINUM FLASHING ATTACHMENT ANGLE BY CASCADIA.
- (XC1) SEALANT BEAD BETWEEN MEMBRANE AND FRAME BY OTHERS
- (XC2) ROD & SEALANT BY OTHERS
- (XC3) SEALANT BEAD BY OTHERS
- (XD1) PVC SHIMS - 8" O.C. & UNDER EACH VERTICAL. BY OTHERS
- (X1) METAL FLASHING BY OTHERS
- (X2) INTERIOR FINISHES BY OTHERS



4A TYPICAL DOOR COUPLER
EXT. GLAZED UNIVERSAL - INSERT BY OTHERS



5A TYPICAL DOOR JAMB
EXT. GLAZED UNIVERSAL - INSERT BY OTHERS

NOTES:

- DETAILS ARE FOR STRUCTURAL INSTALLATION PURPOSES ONLY. ALL OTHER DETAILS ARE TO BE REFERENCED TO THE ARCHITECTURAL DRAWINGS AND ENVELOPE DETAILS. CASCADIA WINDOWS & DOORS NEITHER APPROVES NOR DISAPPROVES THE ENVELOPE DETAILS OR STRUCTURE OF THE BUILDING.
- INSTALLERS TO ENSURE THAT WINDOWS & DOORS ARE INSTALLED LEVEL, PLUMB & SQUARE WITH ALL APPROPRIATE FASTENING & SHIMMING.
- REFER TO BUILDING ENVELOPE DETAILS FOR MEMBRANING, SEQUENCING, FINISHING & SEALING INSTRUCTIONS.
- BACKER RODS BEHIND SEALANT BEADS IN GLAZING POCKET ARE A DISCRETIONARY COMPONENT AND ARE REQUIRED ONLY WHEN GAP BETWEEN GLASS AND WINDOW FRAME EXCEEDS APPROXIMATELY 1/8".
- SEE ADDITIONAL COUPLING INSTRUCTIONS WHEN COUPLING IS REQUIRED.

PROJECT TITLE:
**UNIVERSAL &
ALUMINUM
DOOR INSERTS**

ISSUE	DESCRIPTION	DATE
1	1ST SUBMITAL	NOV.13/20

DRAWING TITLE:
**INSTALLATION
DETAILS**

SCALE: **N.T.S.** DRAWING NO.:
DATE: **NOV. 13/2020** **5.2**
DRAWN BY: **RZ**
PROJECT #: **XXXX**

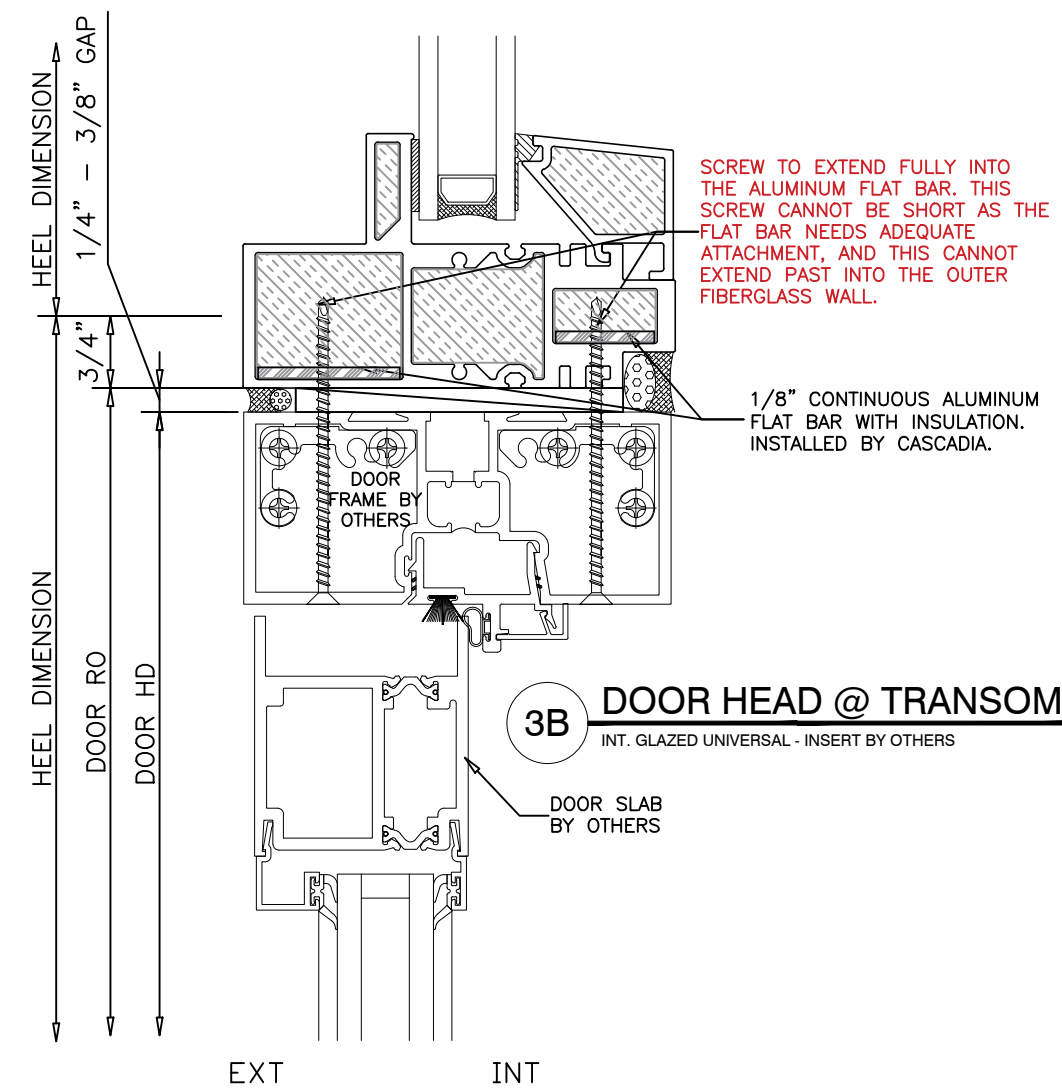
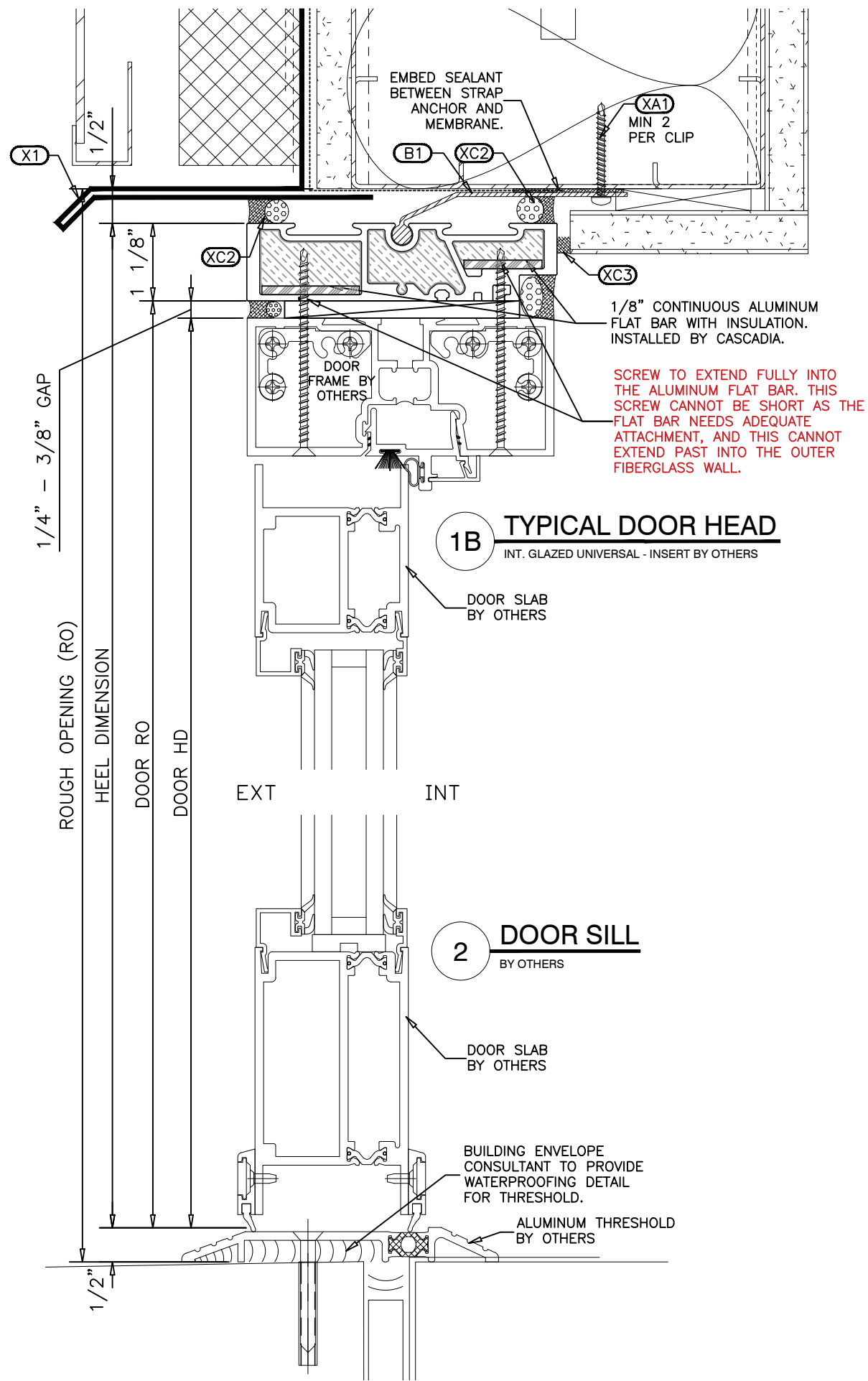


**CASCADIA
WINDOWS LTD.**

#101-5350 275TH STREET
LANGLEY, BC CANADA V4W 0C1
604-857-4600

LEGEND

- (XA1) #10 X 1 1/2" STAINLESS STEEL SELF DRILLING SCREWS @ 6" O.C. OR AS NOTED. BY OTHERS
- (XA2) #10 X 3/4" STAINLESS STEEL SELF DRILLING SCREWS @ 6" O.C. BY OTHERS
- (B1) EXTRUDED ALUMINUM UNIVERSAL ANCHOR CLIP BY CASCADIA. SPACING PER ATTACHED GUIDE.
- (B2) CONTINUOUS ALUMINUM SILL ANGLE & COVER CAP BY CASCADIA
- (B3) EXTRUDED ALUMINUM FLASHING ATTACHMENT ANGLE BY CASCADIA.
- (XC1) SEALANT BEAD BETWEEN MEMBRANE AND FRAME BY OTHERS
- (XC2) ROD & SEALANT BY OTHERS
- (XC3) SEALANT BEAD BY OTHERS
- (XD1) PVC SHIMS - 8" O.C. & UNDER EACH VERTICAL. BY OTHERS
- (X1) METAL FLASHING BY OTHERS
- (X2) INTERIOR FINISHES BY OTHERS



NOTES:

- DETAILS ARE FOR STRUCTURAL INSTALLATION PURPOSES ONLY. ALL OTHER DETAILS ARE TO BE REFERENCED TO THE ARCHITECTURAL DRAWINGS AND ENVELOPE DETAILS. CASCADIA WINDOWS & DOORS NEITHER APPROVES NOR DISAPPROVES THE ENVELOPE DETAILS OR STRUCTURE OF THE BUILDING.
- INSTALLERS TO ENSURE THAT WINDOWS & DOORS ARE INSTALLED LEVEL, PLUMB & SQUARE WITH ALL APPROPRIATE FASTENING & SHIMMING.
- REFER TO BUILDING ENVELOPE DETAILS FOR MEMBRANING, SEQUENCING, FINISHING & SEALING INSTRUCTIONS.
- BACKER RODS BEHIND SEALANT BEADS IN GLAZING POCKET ARE A DISCRETIONARY COMPONENT AND ARE REQUIRED ONLY WHEN GAP BETWEEN GLASS AND WINDOW FRAME EXCEEDS APPROXIMATELY 1/8".
- SEE ADDITIONAL COUPLING INSTRUCTIONS WHEN COUPLING IS REQUIRED.

PROJECT TITLE:
**UNIVERSAL &
ALUMINUM
DOOR INSERTS**

ISSUE	DESCRIPTION	DATE
1	1ST SUBMITAL	NOV.13/20

DRAWING TITLE:
**INSTALLATION
DETAILS**

SCALE: **N.T.S.** DRAWING NO.:
DATE: **NOV. 13/2020**
DRAWN BY: **RZ** PROJECT #: **XXXX**
5.3

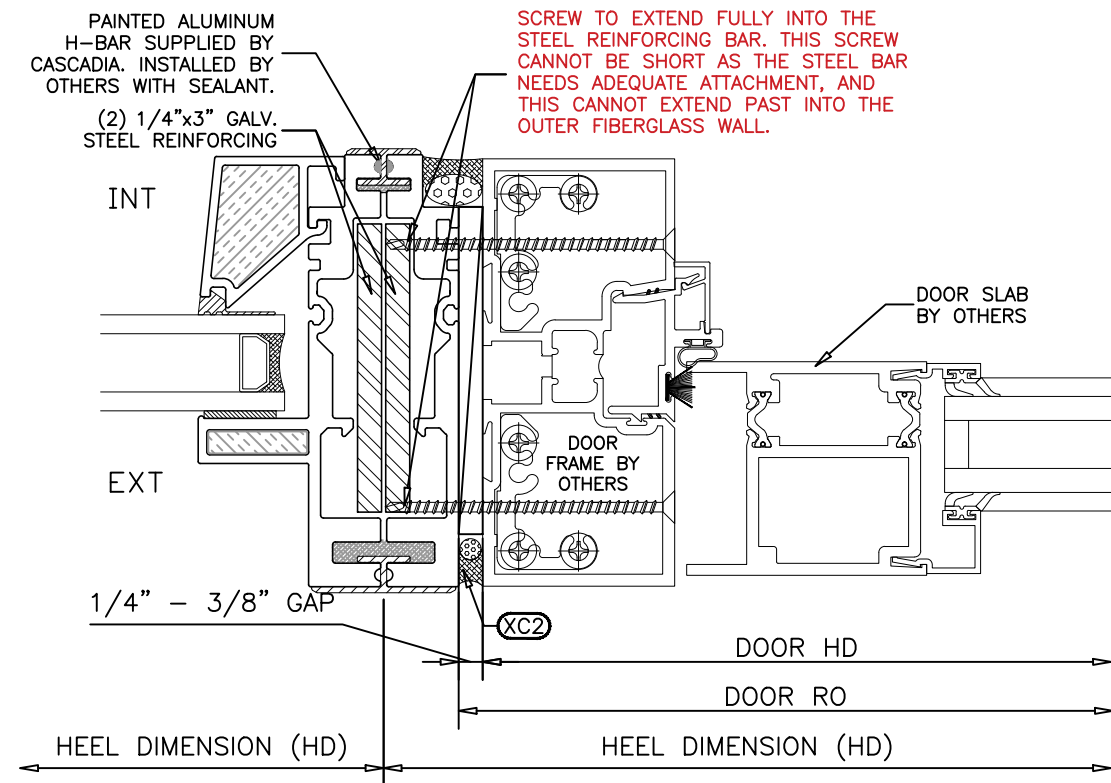


**CASCADIA
WINDOWS LTD.**

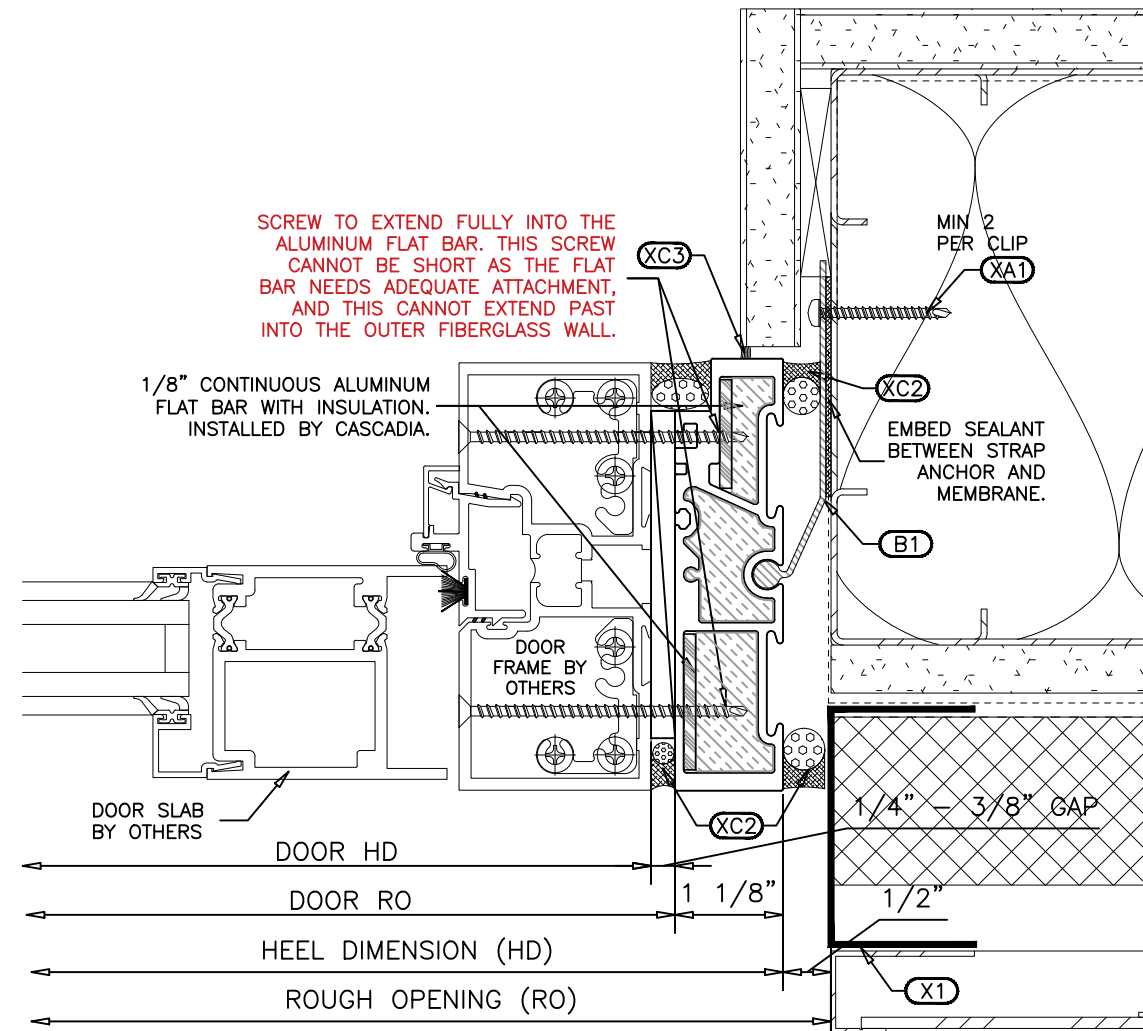
#101-5350 275TH STREET
LANGLEY, BC CANADA V4W 0C1
604-857-4600

LEGEND

- (XA1) #10 X 1 1/2" STAINLESS STEEL SELF DRILLING SCREWS @ 6" O.C. OR AS NOTED. BY OTHERS
- (XA2) #10 X 3/4" STAINLESS STEEL SELF DRILLING SCREWS @ 6" O.C. BY OTHERS
- (B1) EXTRUDED ALUMINUM UNIVERSAL ANCHOR CLIP BY CASCADIA. SPACING PER ATTACHED GUIDE.
- (B2) CONTINUOUS ALUMINUM SILL ANGLE & COVER CAP BY CASCADIA
- (B3) EXTRUDED ALUMINUM FLASHING ATTACHMENT ANGLE BY CASCADIA.
- (XC1) SEALANT BEAD BETWEEN MEMBRANE AND FRAME BY OTHERS
- (XC2) ROD & SEALANT BY OTHERS
- (XC3) SEALANT BEAD BY OTHERS
- (XD1) PVC SHIMS - 8" O.C. & UNDER EACH VERTICAL. BY OTHERS
- (X1) METAL FLASHING BY OTHERS
- (X2) INTERIOR FINISHES BY OTHERS



4B TYPICAL DOOR COUPLER
INT. GLAZED UNIVERSAL - INSERT BY OTHERS



5B TYPICAL DOOR JAMB
INT. GLAZED UNIVERSAL - INSERT BY OTHERS

NOTES:

- DETAILS ARE FOR STRUCTURAL INSTALLATION PURPOSES ONLY. ALL OTHER DETAILS ARE TO BE REFERENCED TO THE ARCHITECTURAL DRAWINGS AND ENVELOPE DETAILS. CASCADIA WINDOWS & DOORS NEITHER APPROVES NOR DISAPPROVES THE ENVELOPE DETAILS OR STRUCTURE OF THE BUILDING.
- INSTALLERS TO ENSURE THAT WINDOWS & DOORS ARE INSTALLED LEVEL, PLUMB & SQUARE WITH ALL APPROPRIATE FASTENING & SHIMMING.
- REFER TO BUILDING ENVELOPE DETAILS FOR MEMBRANING, SEQUENCING, FINISHING & SEALING INSTRUCTIONS.
- BACKER RODS BEHIND SEALANT BEADS IN GLAZING POCKET ARE A DISCRETIONARY COMPONENT AND ARE REQUIRED ONLY WHEN GAP BETWEEN GLASS AND WINDOW FRAME EXCEEDS APPROXIMATELY 1/8".
- SEE ADDITIONAL COUPLING INSTRUCTIONS WHEN COUPLING IS REQUIRED.

PROJECT TITLE:
**UNIVERSAL &
ALUMINUM
DOOR INSERTS**

ISSUE	DESCRIPTION	DATE
1	1ST SUBMITAL	NOV.13/20

DRAWING TITLE:
**INSTALLATION
DETAILS**

SCALE: **N.T.S.** DRAWING NO.:
DATE: **NOV. 13/2020**
DRAWN BY: **RZ** **5.4**
PROJECT #: **XXXX**