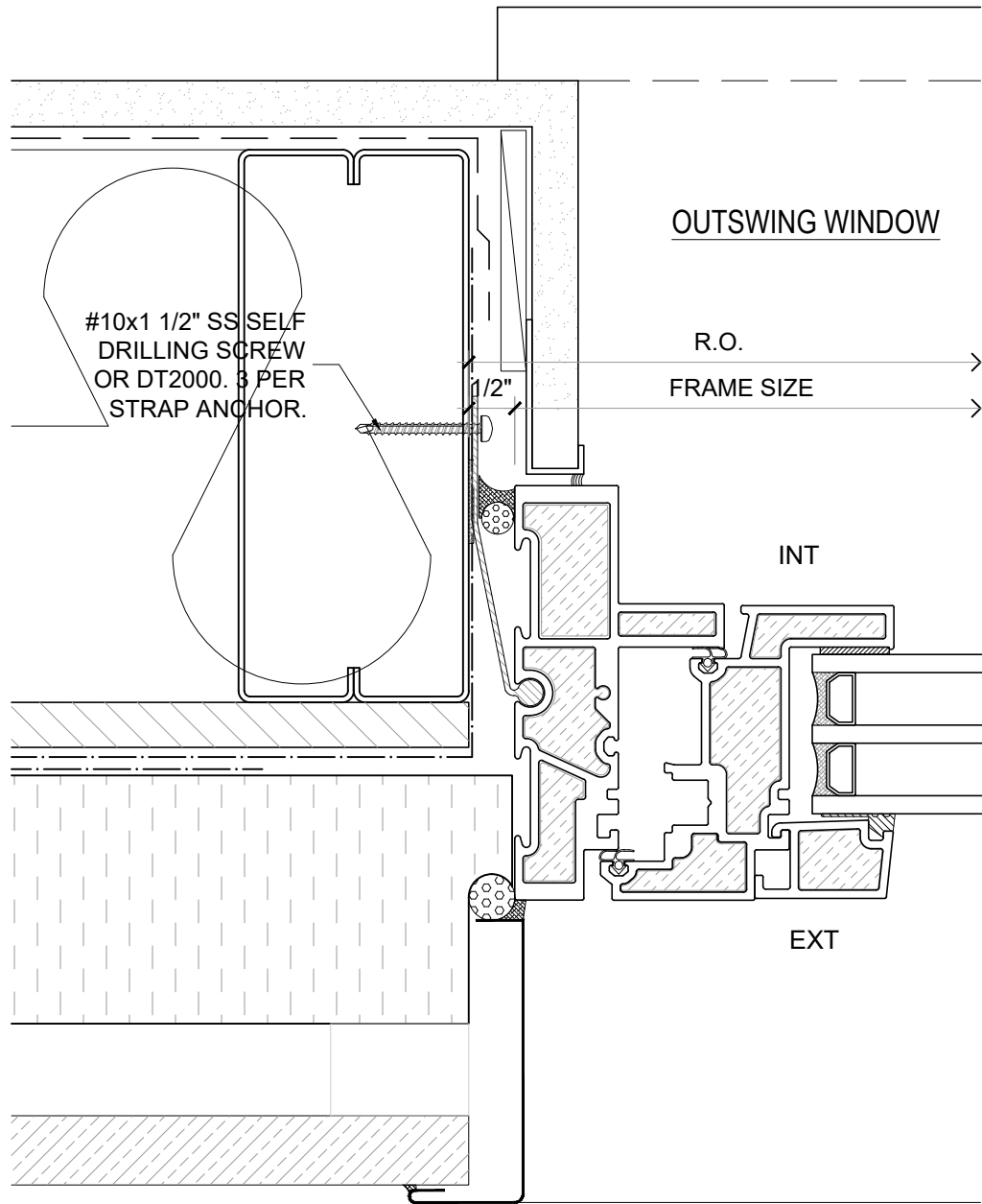


NOTE: THIS DRAFT DETAIL IS FOR GENERAL ARRANGEMENT PURPOSES ONLY, AND DOES NOT NECESSARILY REPRESENT A DETAIL THAT IS APPROPRIATE FOR A SPECIFIC PROJECT. PRODUCTS AND ACCESSORIES PROVIDED BY CASCADIA MUST BE CONFIRMED FOR SPECIFIC PROJECTS.

CASCADIA WINDOWS LTD. #101-5350 275TH STREET LANGLEY, BC, CANADA V4W 0C1	DRAWING TITLE: UNIVERSAL SERIES ® - TYP. WINDOW HEAD+SILL	DRAWING NO.:
	RAINSCREEN WALL ASSEMBLY, EXTERIOR INSULATION	W-1.01T
SCALE: 6" = 1'-0"	PATENTED	DATE: 21 AUGUST, 2020
		DRAWN BY: CP



PATENTED

NOTE: THIS DRAFT DETAIL IS FOR GENERAL ARRANGEMENT PURPOSES ONLY, AND DOES NOT NECESSARILY REPRESENT A DETAIL THAT IS APPROPRIATE FOR A SPECIFIC PROJECT. PRODUCTS AND ACCESSORIES PROVIDED BY CASCADIA MUST BE CONFIRMED FOR SPECIFIC PROJECTS.

NOTE: ANCHOR CLIPS AT HEAD AND JAMBS ARE INTERMITTENT

CASCADIA WINDOWS LTD.
 #101-5350 275TH STREET
 LANGLEY, BC, CANADA V4W 0C1

DRAWING TITLE: **UNIVERSAL SERIES ® - TYPICAL WINDOW JAMB**
RAINSCREEN WALL ASSEMBLY, EXTERIOR INSULATION

DRAWING NO.: **W-1.02T**

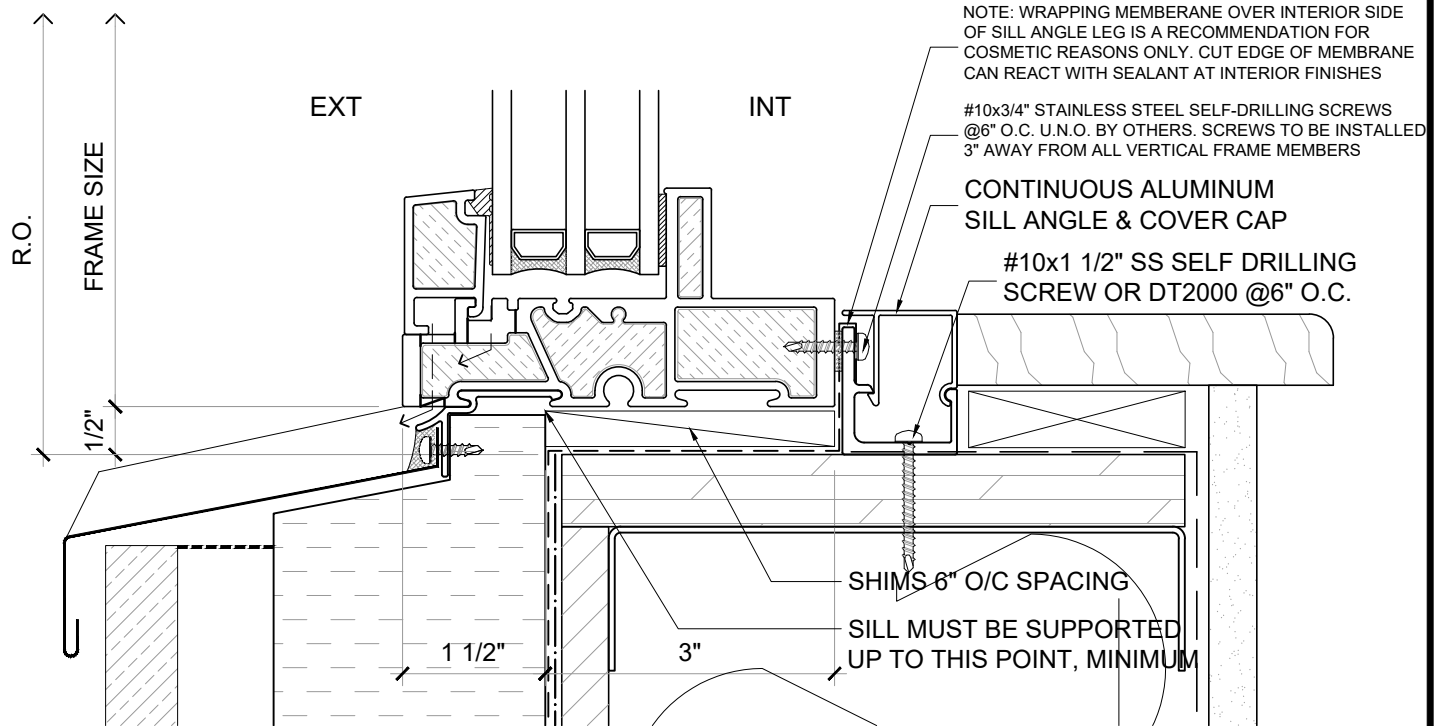
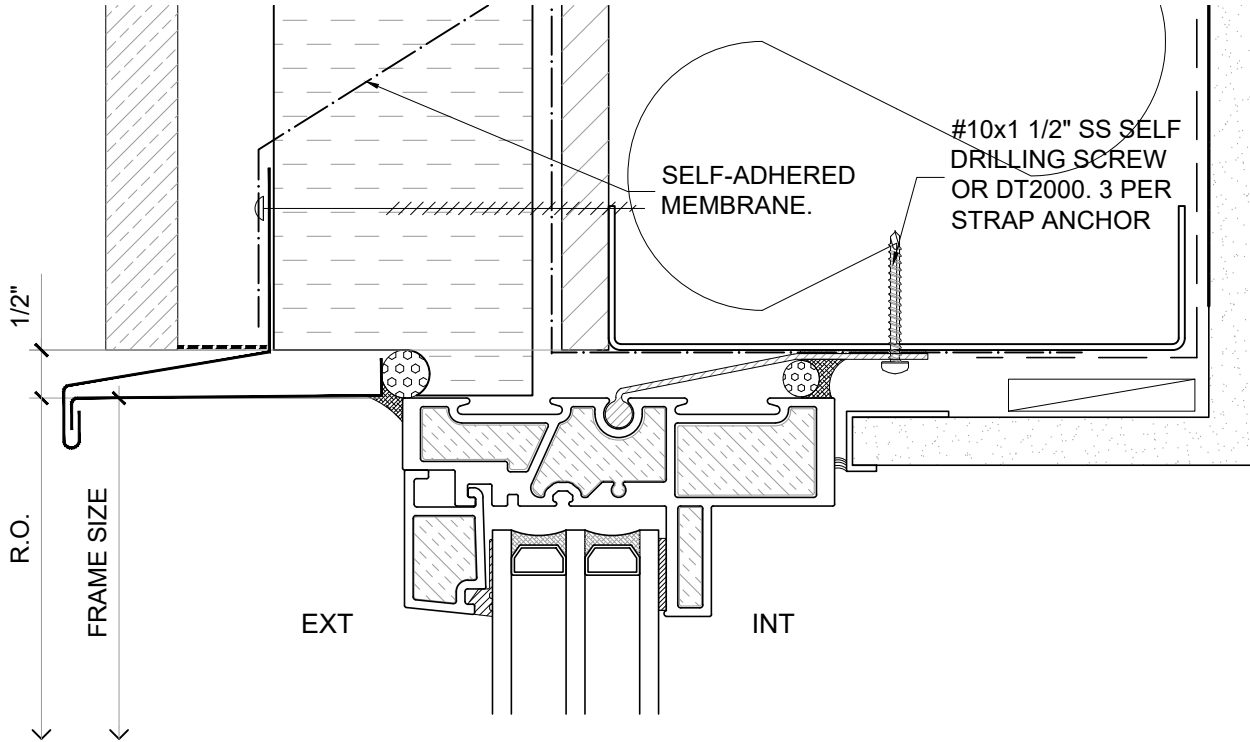
SCALE: 6" = 1'-0"

PATENTED

DATE: 21 AUGUST, 2020

DRAWN BY: CP

**PATENTED
EXTERIOR WINDOW**



NOTE: WRAPPING MEMBRANE OVER INTERIOR SIDE OF SILL ANGLE LEG IS A RECOMMENDATION FOR COSMETIC REASONS ONLY. CUT EDGE OF MEMBRANE CAN REACT WITH SEALANT AT INTERIOR FINISHES

#10x3/4" STAINLESS STEEL SELF-DRILLING SCREWS @6" O.C. U.N.O. BY OTHERS. SCREWS TO BE INSTALLED 3" AWAY FROM ALL VERTICAL FRAME MEMBERS

CONTINUOUS ALUMINUM SILL ANGLE & COVER CAP

#10x1 1/2" SS SELF DRILLING SCREW OR DT2000 @6" O.C.

SHIMS 6" O/C SPACING

SILL MUST BE SUPPORTED UP TO THIS POINT, MINIMUM

NOTE: "INTERIOR" & "EXTERIOR" REFERS TO THE WINDOW BEING INTERIOR OR EXTERIOR GLAZED

NOTE: THIS DRAFT DETAIL IS FOR GENERAL ARRANGEMENT PURPOSES ONLY, AND DOES NOT NECESSARILY REPRESENT A DETAIL THAT IS APPROPRIATE FOR A SPECIFIC PROJECT. PRODUCTS AND ACCESSORIES PROVIDED BY CASCADIA MUST BE CONFIRMED FOR SPECIFIC PROJECTS.

CASCADIA WINDOWS LTD.
#101-5350 275TH STREET
LANGLEY, BC, CANADA V4W 0C1

DRAWING TITLE: **UNIVERSAL SERIES ® - TYP. WINDOW HEAD+SILL**
RAINSCREEN WALL ASSEMBLY, EXTERIOR INSULATION

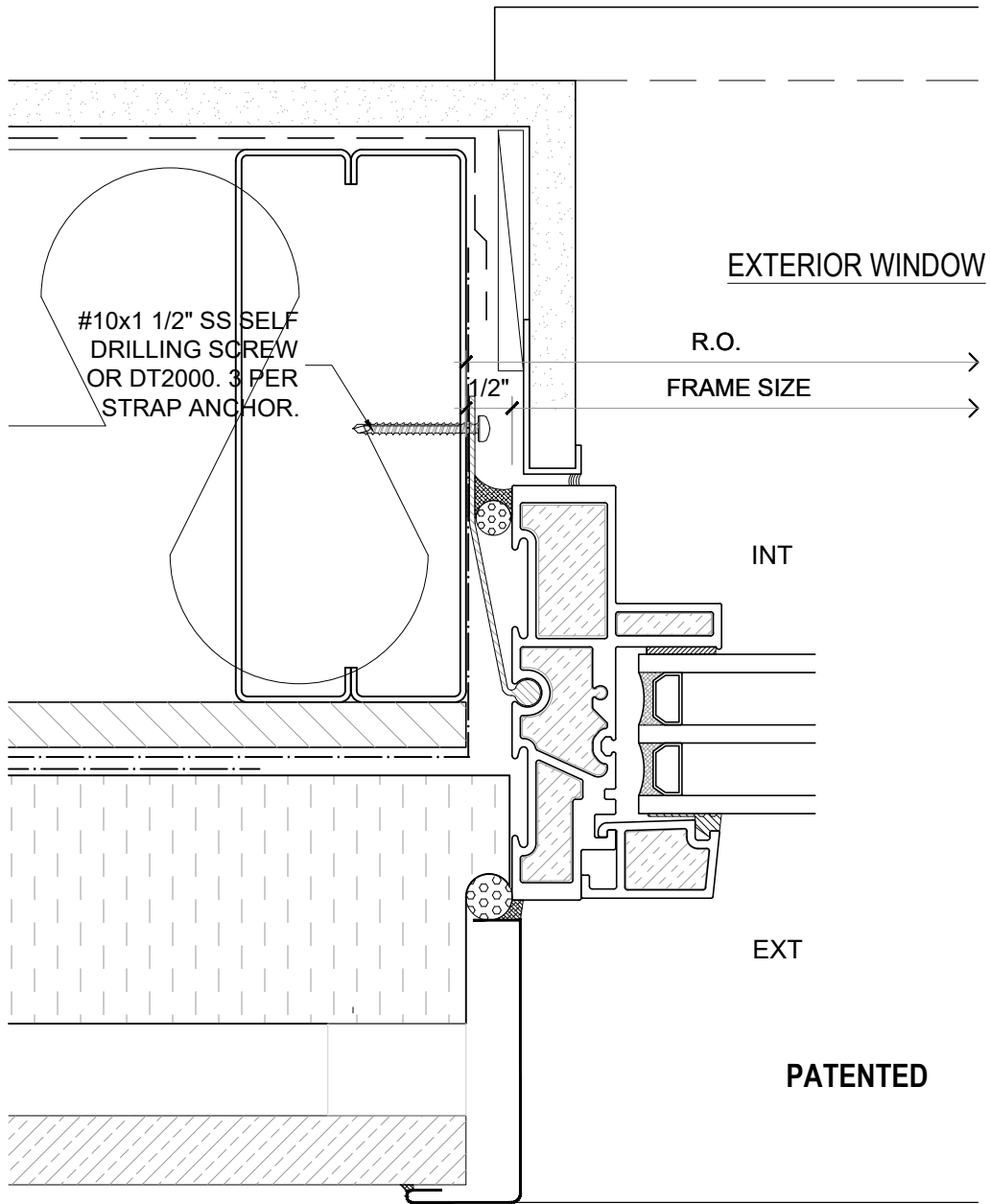
DRAWING NO.: **W-1.03T**

SCALE: 6" = 1'-0"

PATENTED

DATE: 21 AUGUST, 2020

DRAWN BY: CP



NOTE: "INTERIOR" & "EXTERIOR" REFERS TO THE WINDOW BEING INTERIOR OR EXTERIOR GLAZED

NOTE: THIS DRAFT DETAIL IS FOR GENERAL ARRANGEMENT PURPOSES ONLY, AND DOES NOT NECESSARILY REPRESENT A DETAIL THAT IS APPROPRIATE FOR A SPECIFIC PROJECT. PRODUCTS AND ACCESSORIES PROVIDED BY CASCADIA MUST BE CONFIRMED FOR SPECIFIC PROJECTS.

NOTE: ANCHOR CLIPS AT HEAD AND JAMBS ARE INTERMITTENT

CASCADIA WINDOWS LTD.
 #101-5350 275TH STREET
 LANGLEY, BC, CANADA V4W 0C1

DRAWING TITLE: **UNIVERSAL SERIES © - TYPICAL WINDOW JAMB RAINSCREEN WALL ASSEMBLY, EXTERIOR INSULATION**

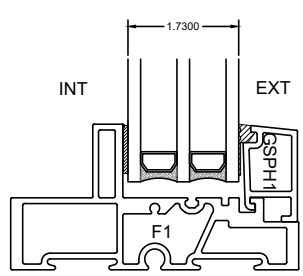
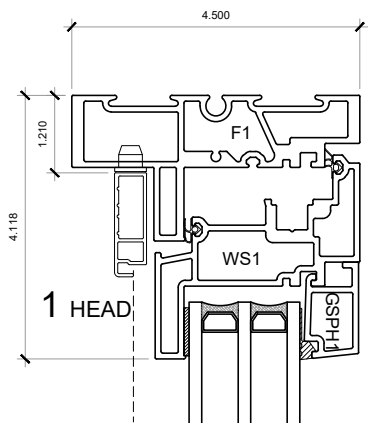
DRAWING NO.: **W-1.04T**

SCALE: 6" = 1'-0"

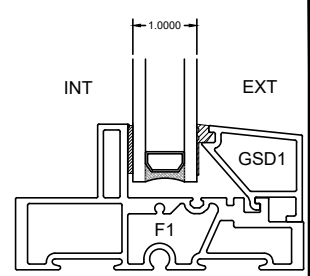
PATENTED

DATE: 21 AUGUST, 2020

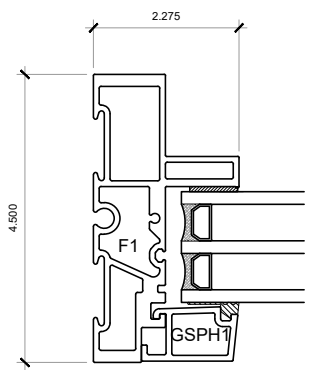
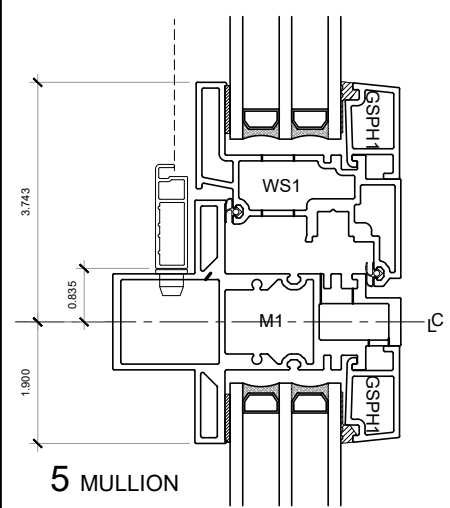
DRAWN BY: CP



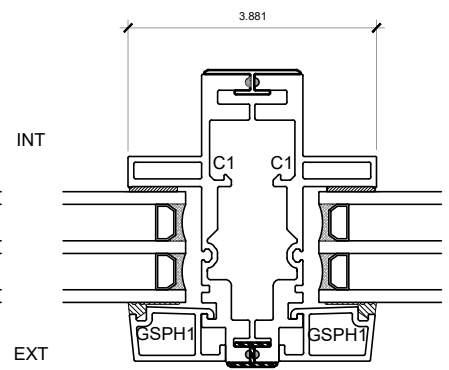
TRIPLE GLAZED
GLAZING STOP



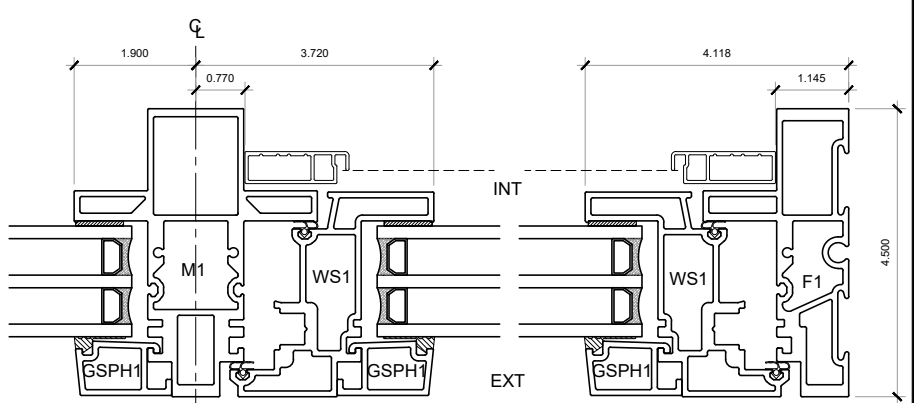
DOUBLE GLAZED
GLAZING STOP



3 FIXED JAMB

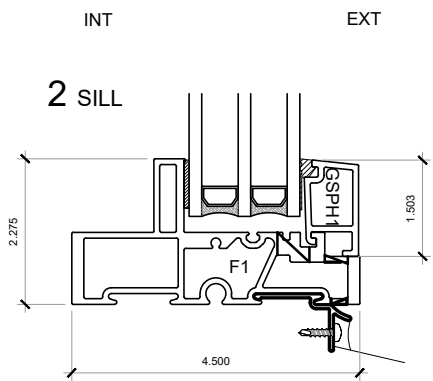


4 COUPLED MULLION



5 MULLION

6 OPERABLE JAMB



PATENTED

NOTE: THIS DRAFT DETAIL IS FOR GENERAL ARRANGEMENT PURPOSES ONLY, AND DOES NOT NECESSARILY REPRESENT A DETAIL THAT IS APPROPRIATE FOR A SPECIFIC PROJECT. PRODUCTS AND ACCESSORIES PROVIDED BY CASCADIA MUST BE CONFIRMED FOR SPECIFIC PROJECTS.

CASCADIA WINDOWS LTD.
#101-5350 275TH STREET
LANGLEY, BC, CANADA V4W 0C1

DRAWING TITLE: **UNIVERSAL SERIES ® - OUTSWING WINDOW**
PRODUCT DRAWING

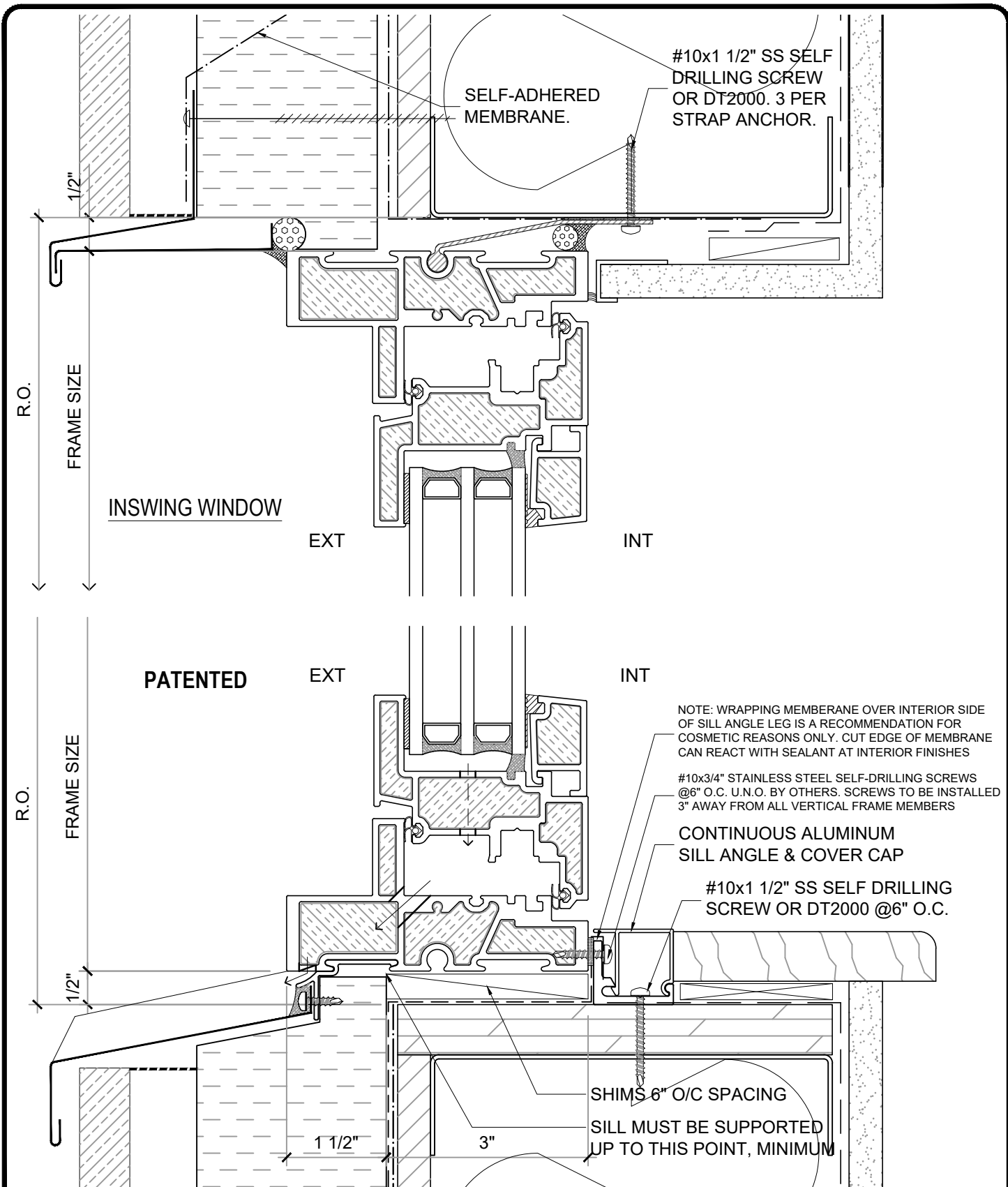
DRAWING NO.:
W-2.01T

SCALE: 4" = 1'-0"

PATENTED

DATE: 21 AUGUST, 2020

DRAWN BY: CP



#10x1 1/2" SS SELF DRILLING SCREW OR DT2000. 3 PER STRAP ANCHOR.

SELF-ADHERED MEMBRANE.

1/2"

R.O.

FRAME SIZE

INSWING WINDOW

EXT

INT

PATENTED

EXT

INT

R.O.

FRAME SIZE

NOTE: WRAPPING MEMBER OVER INTERIOR SIDE OF SILL ANGLE LEG IS A RECOMMENDATION FOR COSMETIC REASONS ONLY. CUT EDGE OF MEMBRANE CAN REACT WITH SEALANT AT INTERIOR FINISHES

#10x3/4" STAINLESS STEEL SELF-DRILLING SCREWS @6" O.C. U.N.O. BY OTHERS. SCREWS TO BE INSTALLED 3" AWAY FROM ALL VERTICAL FRAME MEMBERS

CONTINUOUS ALUMINUM SILL ANGLE & COVER CAP

#10x1 1/2" SS SELF DRILLING SCREW OR DT2000 @6" O.C.

1/2"

SHIMS 6" O/C SPACING

SILL MUST BE SUPPORTED UP TO THIS POINT, MINIMUM

1 1/2"

3"

NOTE: THIS DRAFT DETAIL IS FOR GENERAL ARRANGEMENT PURPOSES ONLY, AND DOES NOT NECESSARILY REPRESENT A DETAIL THAT IS APPROPRIATE FOR A SPECIFIC PROJECT. PRODUCTS AND ACCESSORIES PROVIDED BY CASCADIA MUST BE CONFIRMED FOR SPECIFIC PROJECTS.

NOTE: ANCHOR CLIPS AT HEAD AND JAMBS ARE INTERMITTENT

CASCADIA WINDOWS LTD.
#101-5350 275TH STREET
LANGLEY, BC, CANADA V4W 0C1

DRAWING TITLE: UNIVERSAL SERIES [®] - TYP. WINDOW HEAD+SILL
RAINSCREEN WALL ASSEMBLY, EXTERIOR INSULATION

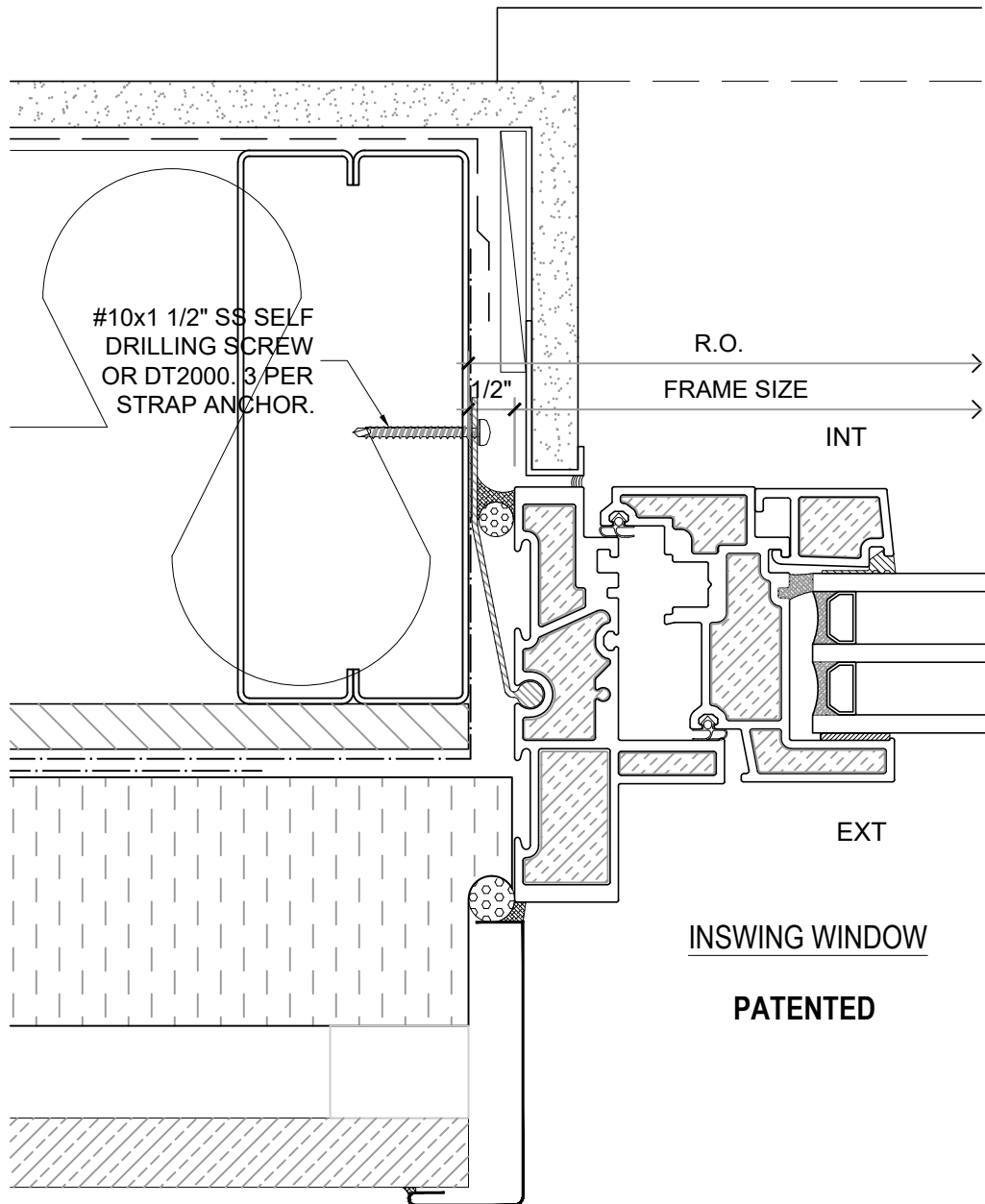
DRAWING NO.: W-1.01T

SCALE: 6" = 1'-0"

PATENTED

DATE: 21 AUGUST, 2020

DRAWN BY: CP



NOTE: THIS DRAFT DETAIL IS FOR GENERAL ARRANGEMENT PURPOSES ONLY, AND DOES NOT NECESSARILY REPRESENT A DETAIL THAT IS APPROPRIATE FOR A SPECIFIC PROJECT. PRODUCTS AND ACCESSORIES PROVIDED BY CASCADIA MUST BE CONFIRMED FOR SPECIFIC PROJECTS.

NOTE: ANCHOR CLIPS AT HEAD AND JAMBS ARE INTERMITTENT

CASCADIA WINDOWS LTD.
 #101-5350 275TH STREET
 LANGLEY, BC, CANADA V4W 0C1

DRAWING TITLE: **UNIVERSAL SERIES ® - TYPICAL WINDOW JAMB**
RAINSCREEN WALL ASSEMBLY, EXTERIOR INSULATION

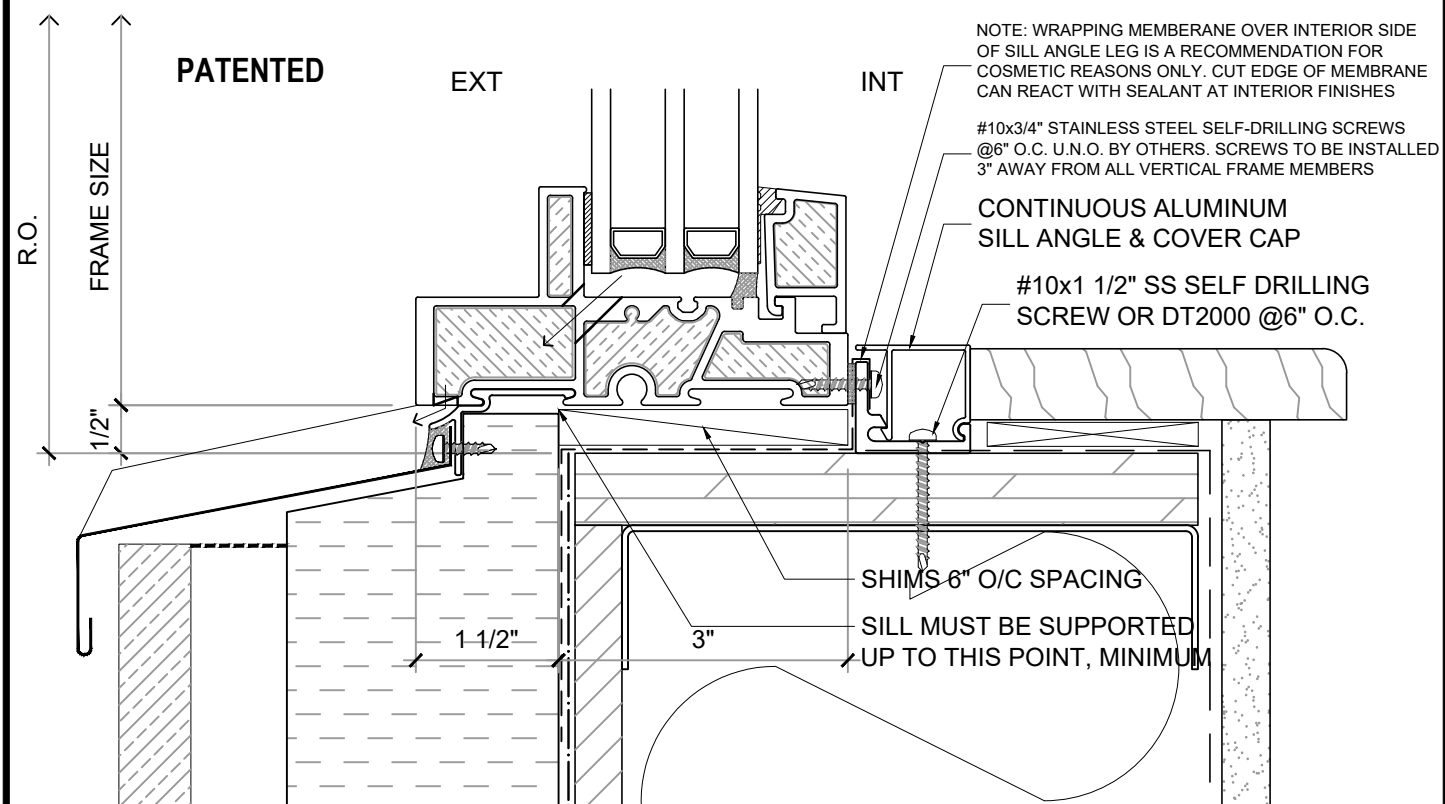
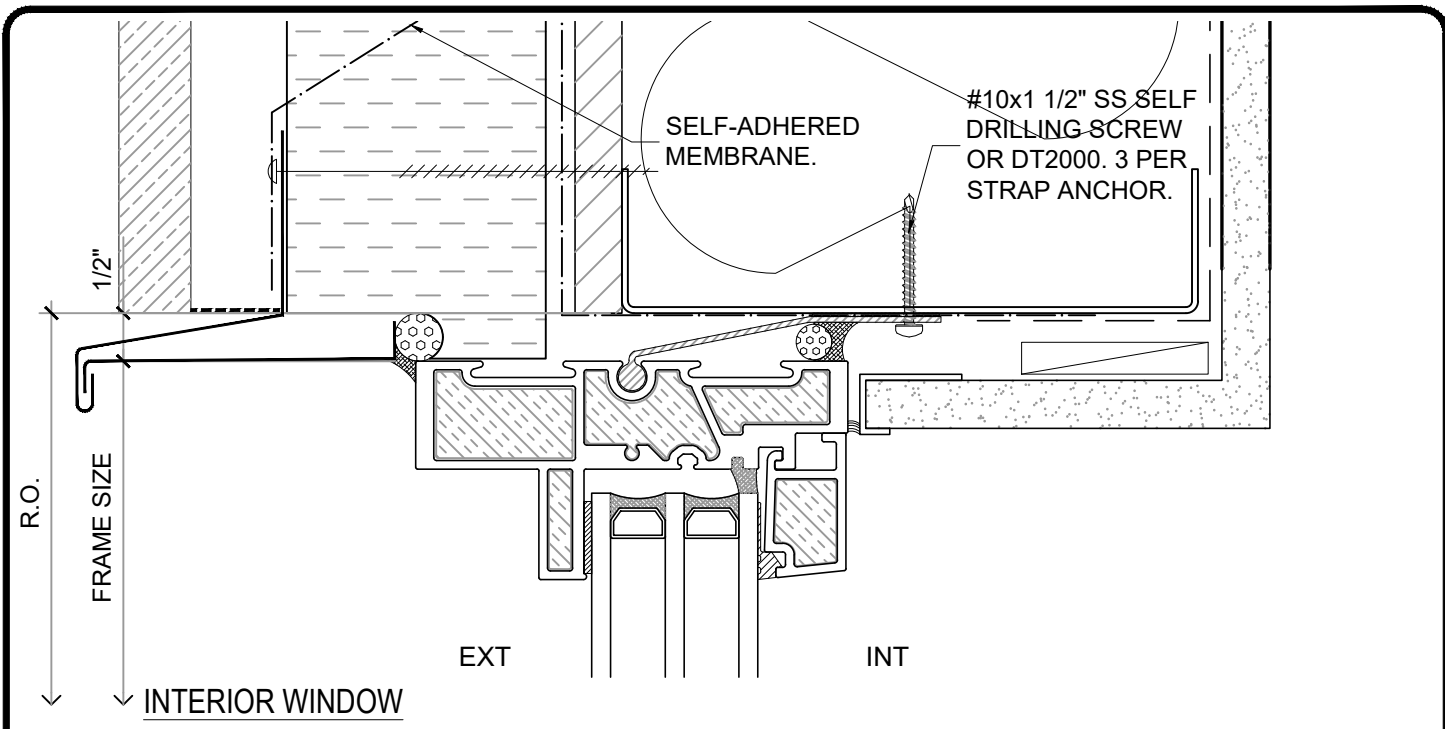
DRAWING NO.: **W-1.02T**

SCALE: 6" = 1'-0"

PATENTED

DATE: 21 AUGUST, 2020

DRAWN BY: CP



NOTE: "INTERIOR" & "EXTERIOR" REFERS TO THE WINDOW BEING INTERIOR OR EXTERIOR GLAZED

NOTE: THIS DRAFT DETAIL IS FOR GENERAL ARRANGEMENT PURPOSES ONLY, AND DOES NOT NECESSARILY REPRESENT A DETAIL THAT IS APPROPRIATE FOR A SPECIFIC PROJECT. PRODUCTS AND ACCESSORIES PROVIDED BY CASCADIA MUST BE CONFIRMED FOR SPECIFIC PROJECTS.

NOTE: ANCHOR CLIPS AT HEAD AND JAMBS ARE INTERMITTENT

CASCADIA WINDOWS LTD.
 #101-5350 275TH STREET
 LANGLEY, BC, CANADA V4W 0C1

DRAWING TITLE: **UNIVERSAL SERIES ® - TYP. WINDOW HEAD+SILL**
RAINSCREEN WALL ASSEMBLY, EXTERIOR INSULATION

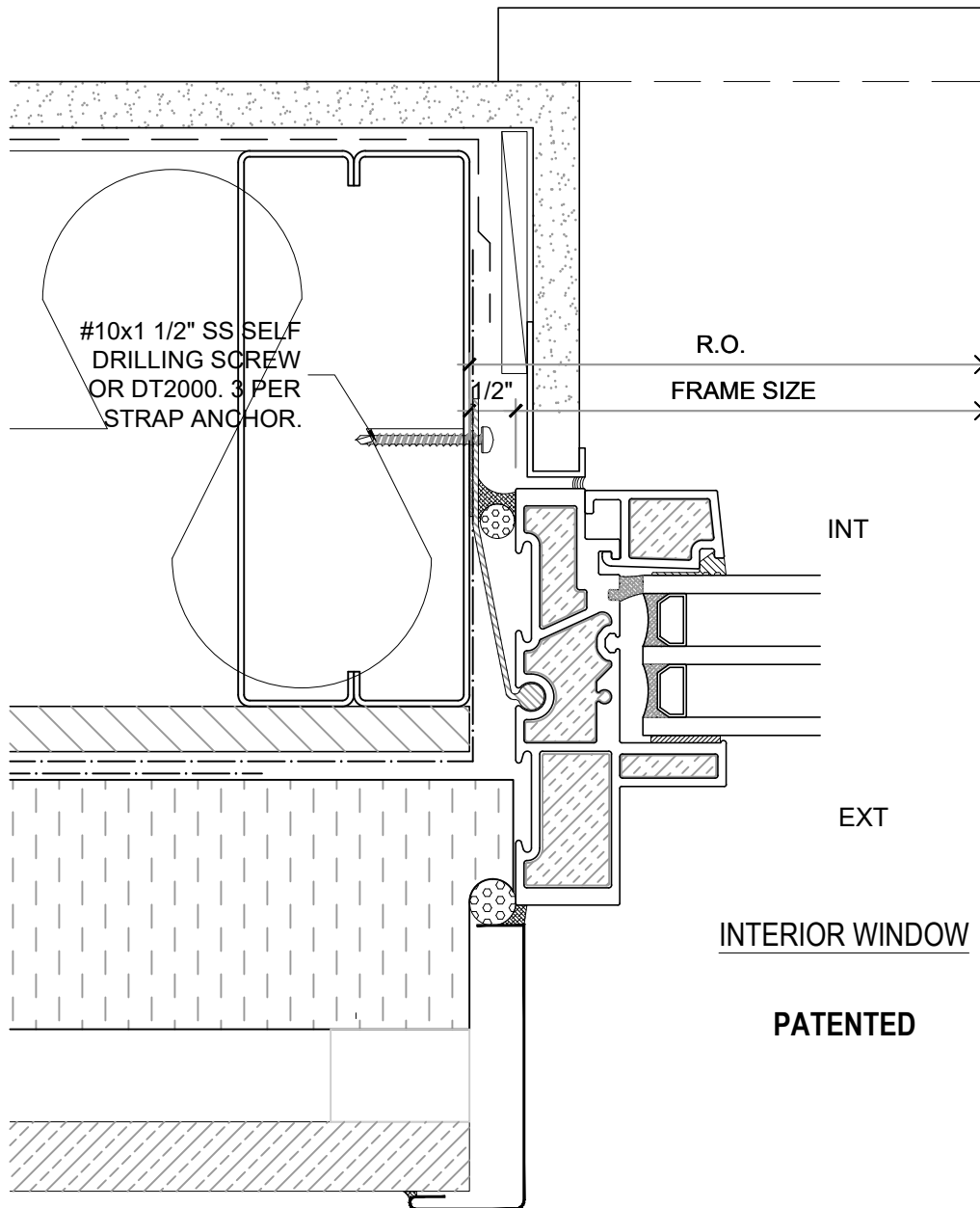
DRAWING NO.: **W-1.03T**

SCALE: 6" = 1'-0"

PATENTED

DATE: 21 AUGUST, 2020

DRAWN BY: CP



NOTE: "INTERIOR" & "EXTERIOR" REFERS TO THE WINDOW BEING INTERIOR OR EXTERIOR GLAZED

NOTE: THIS DRAFT DETAIL IS FOR GENERAL ARRANGEMENT PURPOSES ONLY, AND DOES NOT NECESSARILY REPRESENT A DETAIL THAT IS APPROPRIATE FOR A SPECIFIC PROJECT. PRODUCTS AND ACCESSORIES PROVIDED BY CASCADIA MUST BE CONFIRMED FOR SPECIFIC PROJECTS.

NOTE: ANCHOR CLIPS AT HEAD AND JAMBS ARE INTERMITTENT

CASCADIA WINDOWS LTD.
 #101-5350 275TH STREET
 LANGLEY, BC, CANADA V4W 0C1

DRAWING TITLE: **UNIVERSAL SERIES © - TYPICAL WINDOW JAMB**
RAINSCREEN WALL ASSEMBLY, EXTERIOR INSULATION

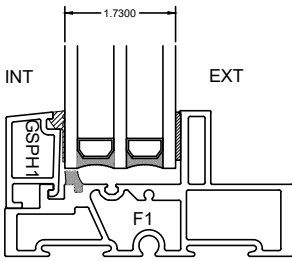
DRAWING NO.:
W-1.04T

SCALE: 6" = 1'-0"

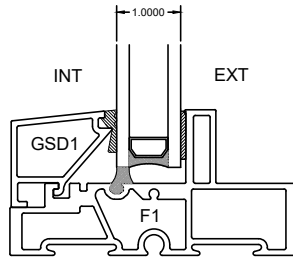
PATENTED

DATE: 21 AUGUST, 2020

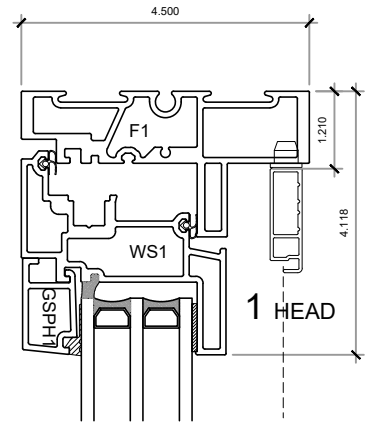
DRAWN BY: CP



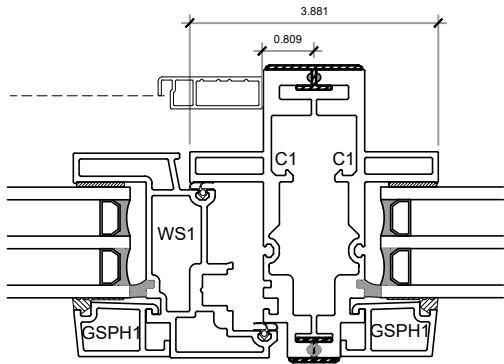
TRIPLE GLAZED
GLAZING STOP



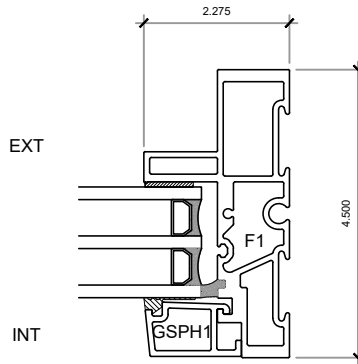
DOUBLE GLAZED
GLAZING STOP



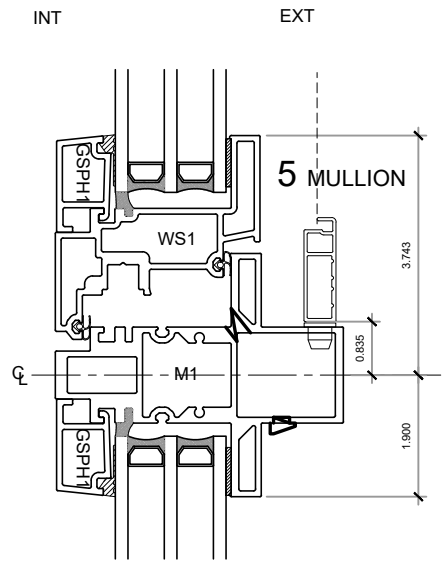
1 HEAD



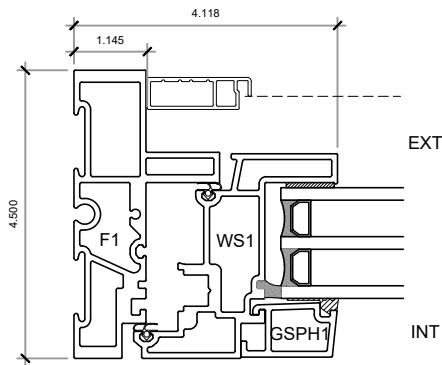
4 COUPLED MULLION



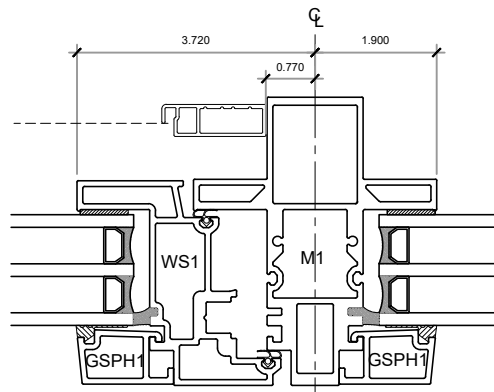
3 FIXED JAMB



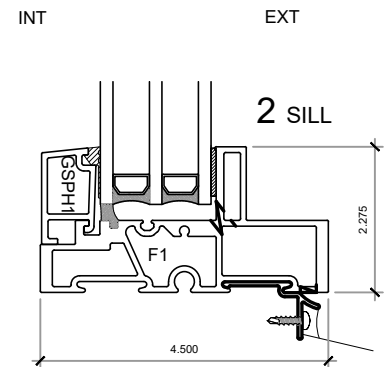
5 MULLION



6 OPERABLE JAMB



5 MULLION



2 SILL

PATENTED

NOTE: THIS DRAFT DETAIL IS FOR GENERAL ARRANGEMENT PURPOSES ONLY, AND DOES NOT NECESSARILY REPRESENT A DETAIL THAT IS APPROPRIATE FOR A SPECIFIC PROJECT. PRODUCTS AND ACCESSORIES PROVIDED BY CASCADIA MUST BE CONFIRMED FOR SPECIFIC PROJECTS.

CASCADIA WINDOWS LTD.
#101-5350 275TH STREET
LANGLEY, BC, CANADA V4W 0C1

DRAWING
TITLE:

UNIVERSAL SERIES ® - INSWING WINDOW
PRODUCT DRAWING

DRAWING NO.:

W-2.01T

SCALE: 4" = 1'-0"

PATENTED

DATE: 21 AUGUST, 2020

DRAWN BY: CP