

**PATENTED  
OUTSWING WINDOW**

NOTE: WRAPPING MEMBRANE OVER INTERIOR SIDE OF SILL ANGLE LEG IS A RECOMMENDATION FOR COSMETIC REASONS ONLY. CUT EDGE OF MEMBRANE CAN REACT WITH SEALANT AT INTERIOR FINISHES

#10x3/4" STAINLESS STEEL SELF-DRILLING SCREWS @6" O.C. U.N.O. BY OTHERS. SCREWS TO BE INSTALLED 3" AWAY FROM ALL VERTICAL FRAME MEMBERS

CONTINUOUS ALUMINUM SILL ANGLE & COVER CAP

#10x1 1/2" SS SELF DRILLING SCREW OR DT2000 @6" O.C.

SHIMS 6" O/C SPACING  
SILL MUST BE SUPPORTED UP TO THIS POINT, MINIMUM

NOTE: THIS DRAFT DETAIL IS FOR GENERAL ARRANGEMENT PURPOSES ONLY, AND DOES NOT NECESSARILY REPRESENT A DETAIL THAT IS APPROPRIATE FOR A SPECIFIC PROJECT. PRODUCTS AND ACCESSORIES PROVIDED BY CASCADIA MUST BE CONFIRMED FOR SPECIFIC PROJECTS.

**CASCADIA WINDOWS LTD.**  
#101-5350 275TH STREET  
LANGLEY, BC, CANADA V4W 0C1

DRAWING TITLE: **UNIVERSAL SERIES © - TYP. WINDOW HEAD+SILL  
RAINSCREEN WALL ASSEMBLY, EXTERIOR INSULATION**

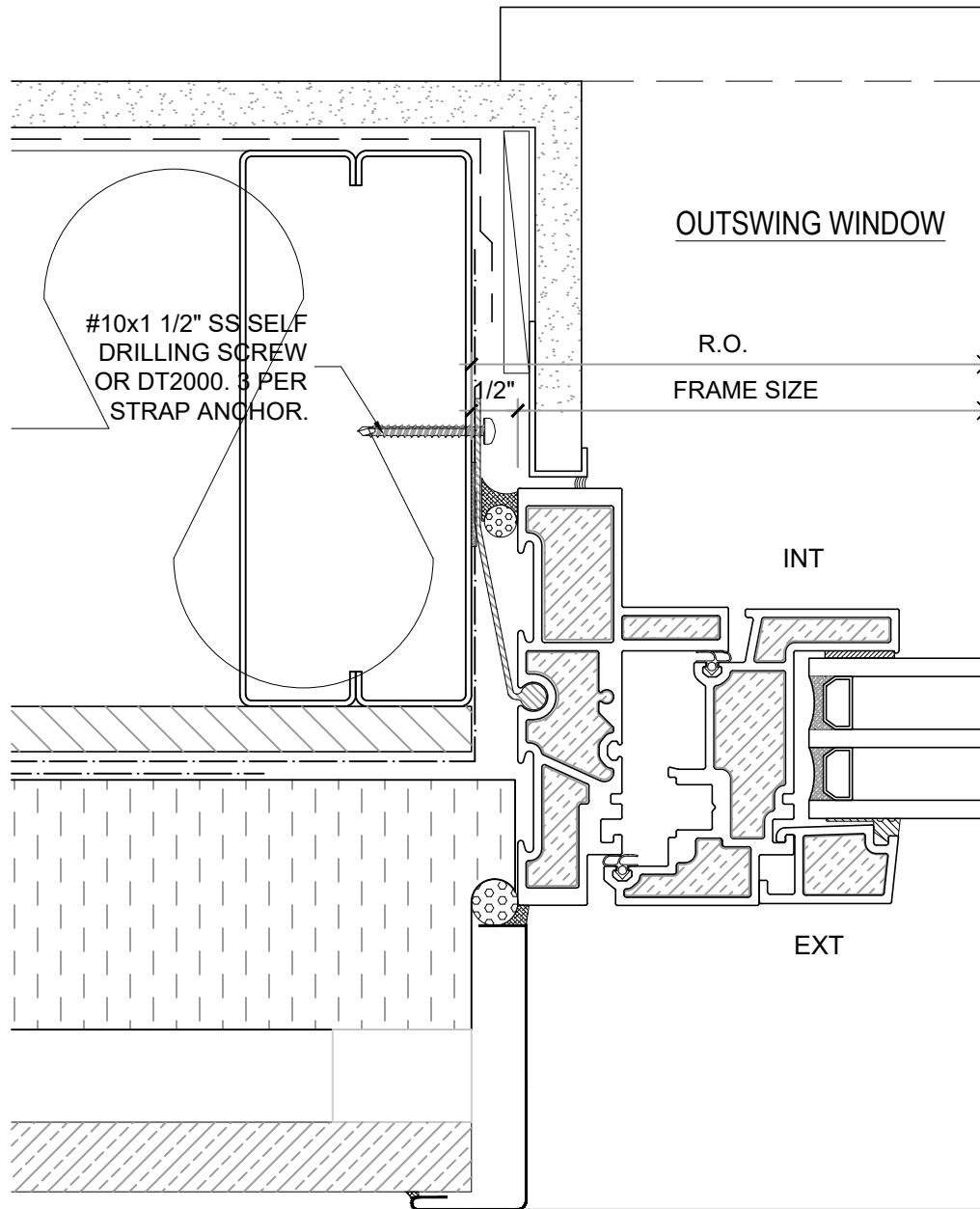
DRAWING NO.: **W-1.01T**

SCALE: 6" = 1'-0"

PATENTED

DATE: 21 AUGUST, 2020

DRAWN BY: CP



**PATENTED**

**NOTE:** THIS DRAFT DETAIL IS FOR GENERAL ARRANGEMENT PURPOSES ONLY, AND DOES NOT NECESSARILY REPRESENT A DETAIL THAT IS APPROPRIATE FOR A SPECIFIC PROJECT. PRODUCTS AND ACCESSORIES PROVIDED BY CASCADIA MUST BE CONFIRMED FOR SPECIFIC PROJECTS.

**NOTE:** ANCHOR CLIPS AT HEAD AND JAMBS ARE INTERMITTENT

**CASCADIA WINDOWS LTD.**  
 #101-5350 275TH STREET  
 LANGLEY, BC, CANADA V4W 0C1

DRAWING TITLE: **UNIVERSAL SERIES ® - TYPICAL WINDOW JAMB**  
**RAINSCREEN WALL ASSEMBLY, EXTERIOR INSULATION**

DRAWING NO.: **W-1.02T**

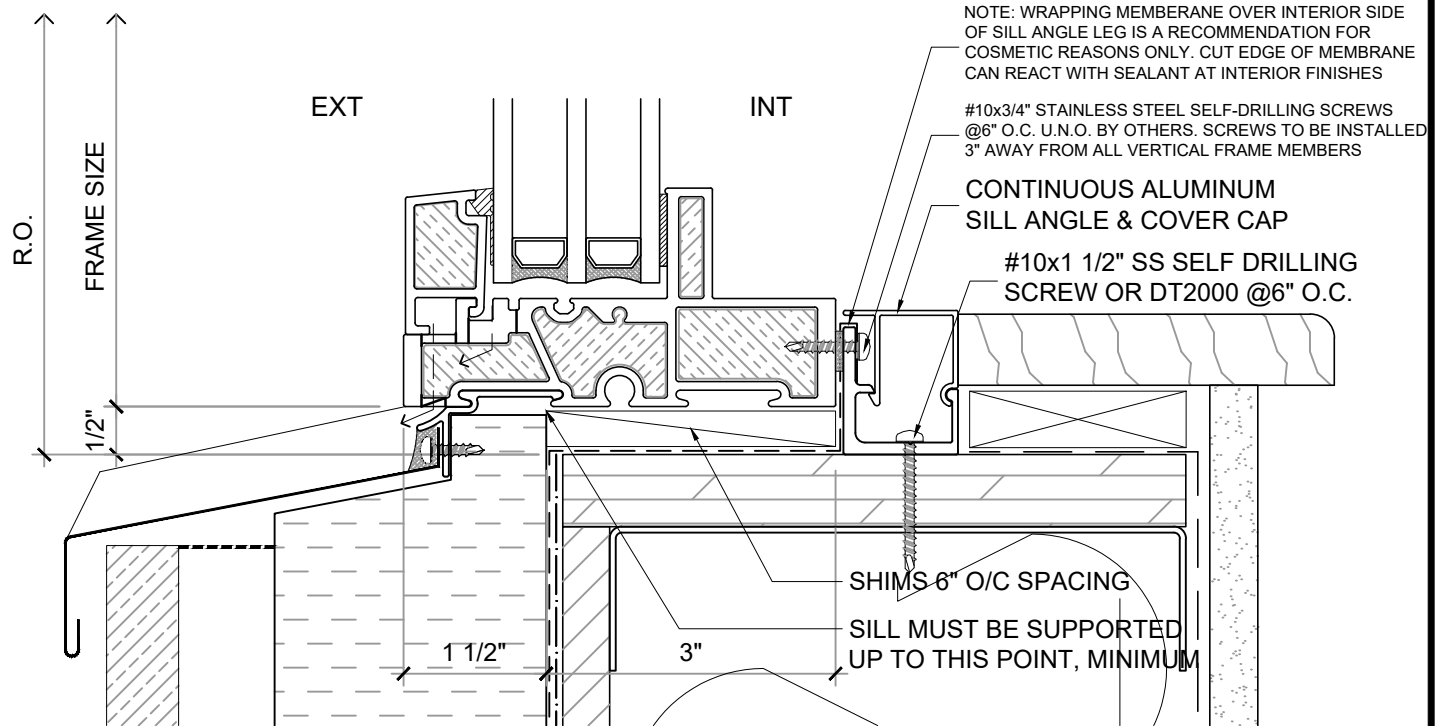
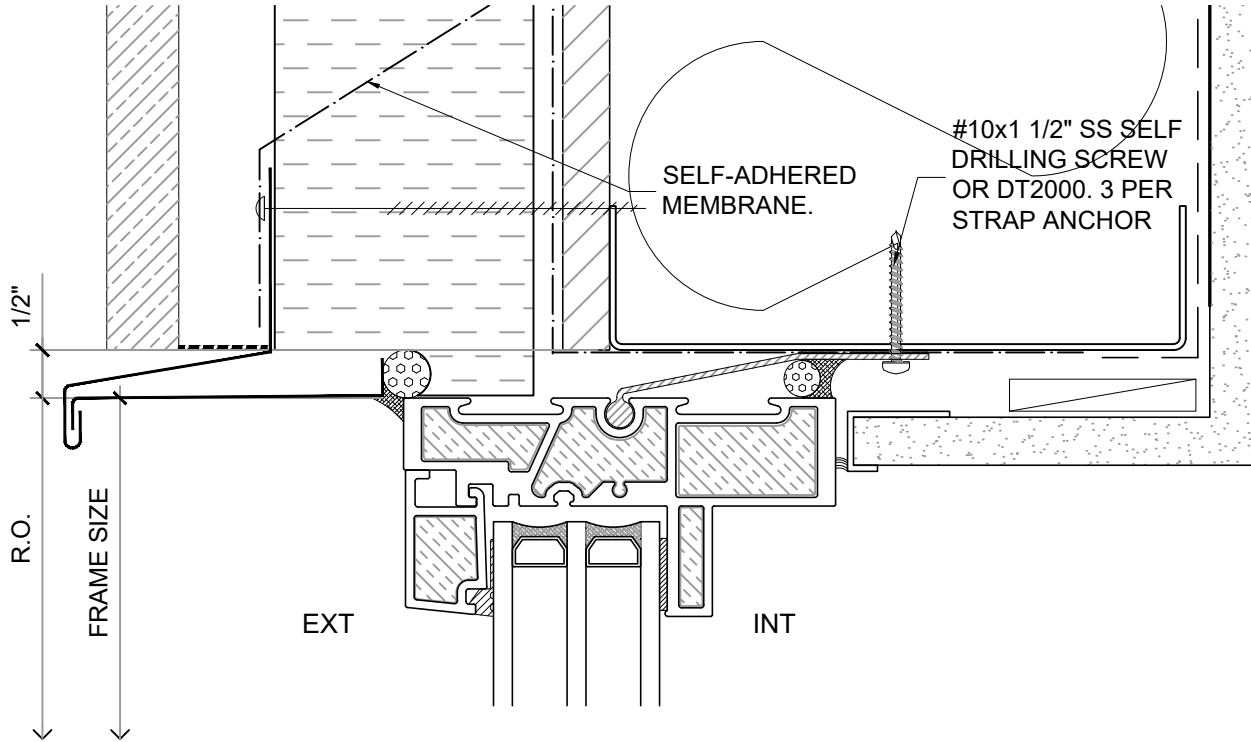
SCALE: 6" = 1'-0"

PATENTED

DATE: 21 AUGUST, 2020

DRAWN BY: CP

**PATENTED  
EXTERIOR WINDOW**



**NOTE:** THIS DRAFT DETAIL IS FOR GENERAL ARRANGEMENT PURPOSES ONLY, AND DOES NOT NECESSARILY REPRESENT A DETAIL THAT IS APPROPRIATE FOR A SPECIFIC PROJECT. PRODUCTS AND ACCESSORIES PROVIDED BY CASCADIA MUST BE CONFIRMED FOR SPECIFIC PROJECTS.

**NOTE:** "INTERIOR" & "EXTERIOR" REFERS TO THE WINDOW BEING INTERIOR OR EXTERIOR GLAZED

**CASCADIA WINDOWS LTD.**  
#101-5350 275TH STREET  
LANGLEY, BC, CANADA V4W 0C1

DRAWING TITLE: **UNIVERSAL SERIES ® - TYP. WINDOW HEAD+SILL  
RAINSREEN WALL ASSEMBLY, EXTERIOR INSULATION**

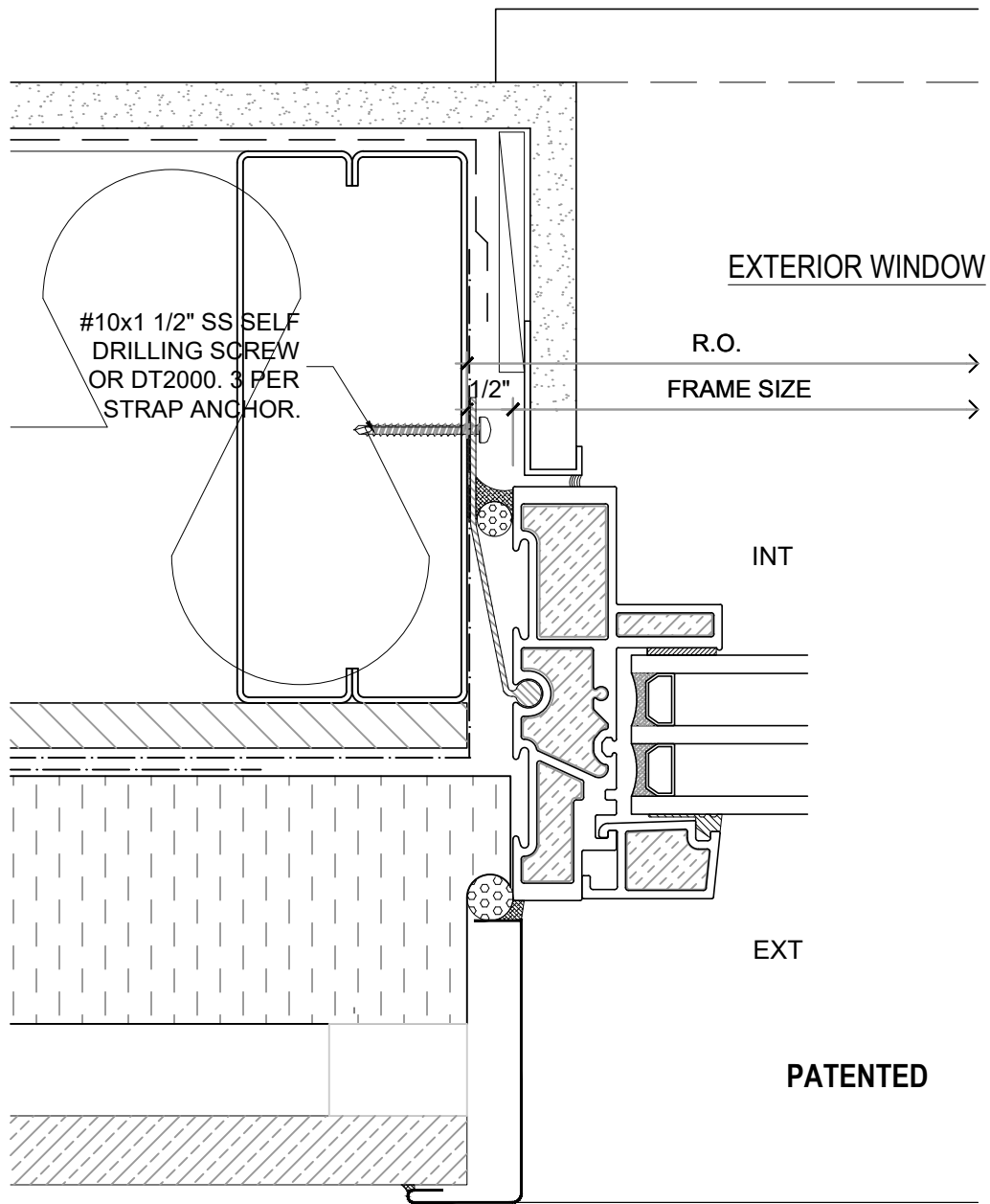
DRAWING NO.: **W-1.03T**

SCALE: 6" = 1'-0"

PATENTED

DATE: 21 AUGUST, 2020

DRAWN BY: CP



**NOTE:** "INTERIOR" & "EXTERIOR" REFERS TO THE WINDOW BEING INTERIOR OR EXTERIOR GLAZED

**NOTE:** THIS DRAFT DETAIL IS FOR GENERAL ARRANGEMENT PURPOSES ONLY, AND DOES NOT NECESSARILY REPRESENT A DETAIL THAT IS APPROPRIATE FOR A SPECIFIC PROJECT. PRODUCTS AND ACCESSORIES PROVIDED BY CASCADIA MUST BE CONFIRMED FOR SPECIFIC PROJECTS.

**NOTE:** ANCHOR CLIPS AT HEAD AND JAMBS ARE INTERMITTENT

CASCADIA WINDOWS LTD.  
#101-5350 275TH STREET  
LANGLEY, BC, CANADA V4W 0C1

DRAWING TITLE: **UNIVERSAL SERIES © - TYPICAL WINDOW JAMB RAINSCREEN WALL ASSEMBLY, EXTERIOR INSULATION**

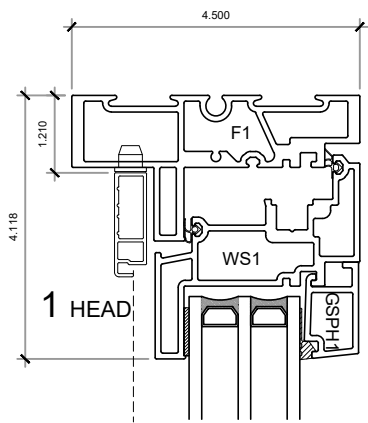
DRAWING NO.: **W-1.04T**

SCALE: 6" = 1'-0"

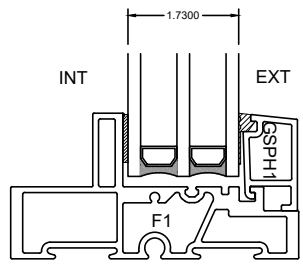
PATENTED

DATE: 21 AUGUST, 2020

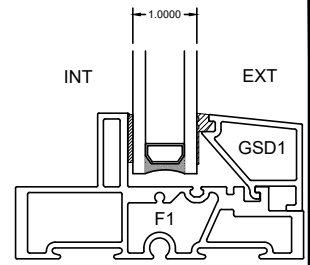
DRAWN BY: CP



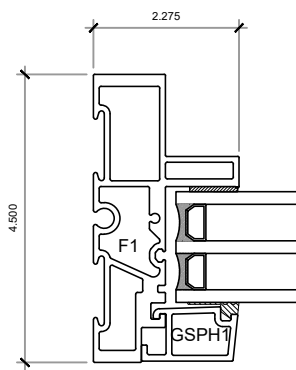
INT EXT



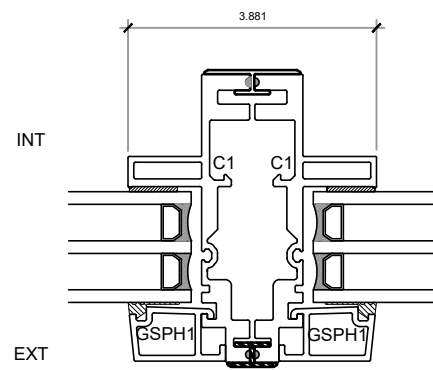
TRIPLE GLAZED  
GLAZING STOP



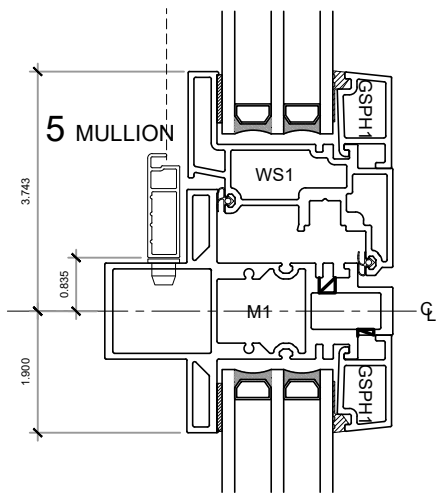
DOUBLE GLAZED  
GLAZING STOP



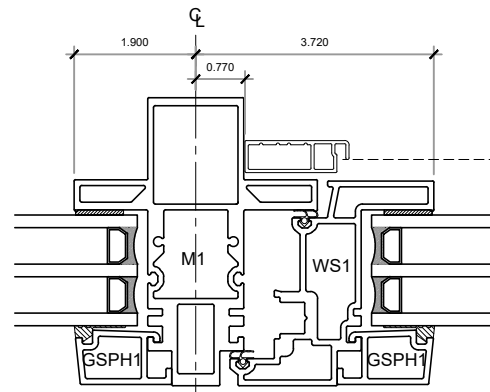
3 FIXED JAMB



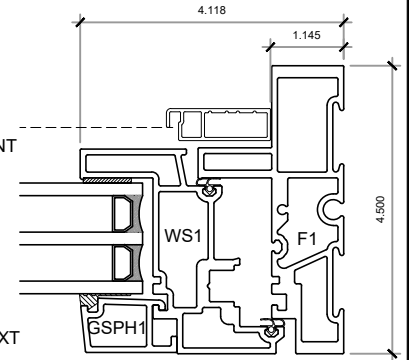
4 COUPLED MULLION



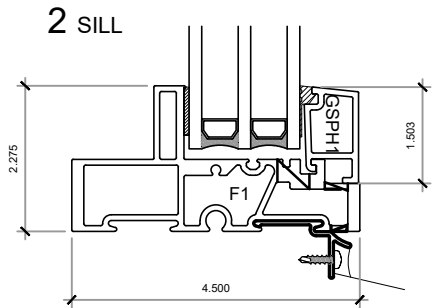
INT EXT



5 MULLION



6 OPERABLE JAMB



2 SILL

PATENTED

**NOTE:** THIS DRAFT DETAIL IS FOR GENERAL ARRANGEMENT PURPOSES ONLY, AND DOES NOT NECESSARILY REPRESENT A DETAIL THAT IS APPROPRIATE FOR A SPECIFIC PROJECT. PRODUCTS AND ACCESSORIES PROVIDED BY CASCADIA MUST BE CONFIRMED FOR SPECIFIC PROJECTS.

CASCADIA WINDOWS LTD.  
#101-5350 275TH STREET  
LANGLEY, BC, CANADA V4W 0C1

DRAWING TITLE: **UNIVERSAL SERIES © - OUTSWING WINDOW**  
PRODUCT DRAWING

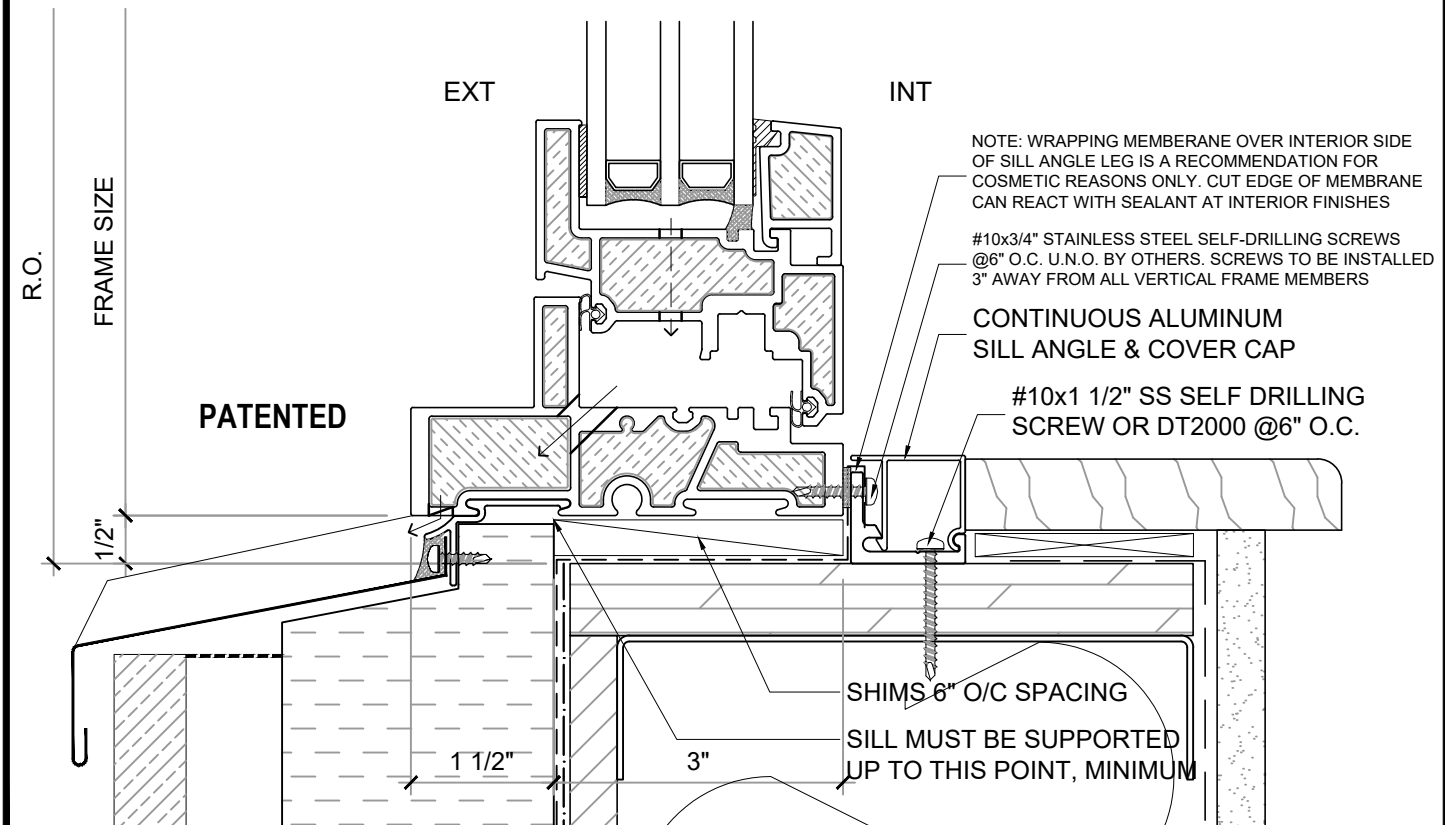
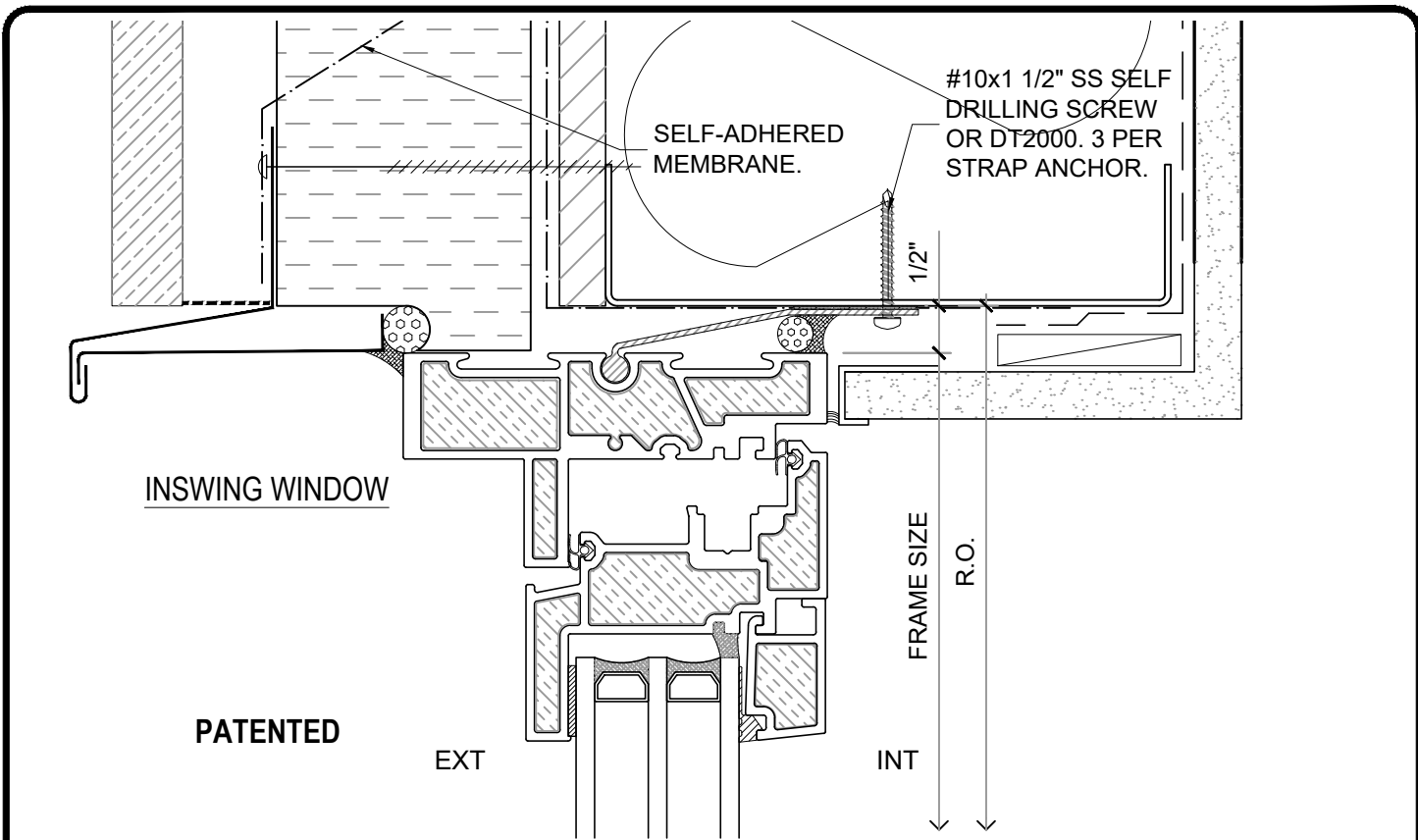
DRAWING NO.:  
**W-2.01T**

SCALE: 4" = 1'-0"

PATENTED

DATE: 21 AUGUST, 2020

DRAWN BY: CP



NOTE: THIS DRAFT DETAIL IS FOR GENERAL ARRANGEMENT PURPOSES ONLY, AND DOES NOT NECESSARILY REPRESENT A DETAIL THAT IS APPROPRIATE FOR A SPECIFIC PROJECT. PRODUCTS AND ACCESSORIES PROVIDED BY CASCADIA MUST BE CONFIRMED FOR SPECIFIC PROJECTS.

NOTE: ANCHOR CLIPS AT HEAD AND JAMBS ARE INTERMITTENT

CASCADIA WINDOWS LTD.  
#101-5350 275TH STREET  
LANGLEY, BC, CANADA V4W 0C1

DRAWING TITLE: UNIVERSAL SERIES <sup>®</sup> - TYP. WINDOW HEAD+SILL  
RAINSREEN WALL ASSEMBLY, EXTERIOR INSULATION

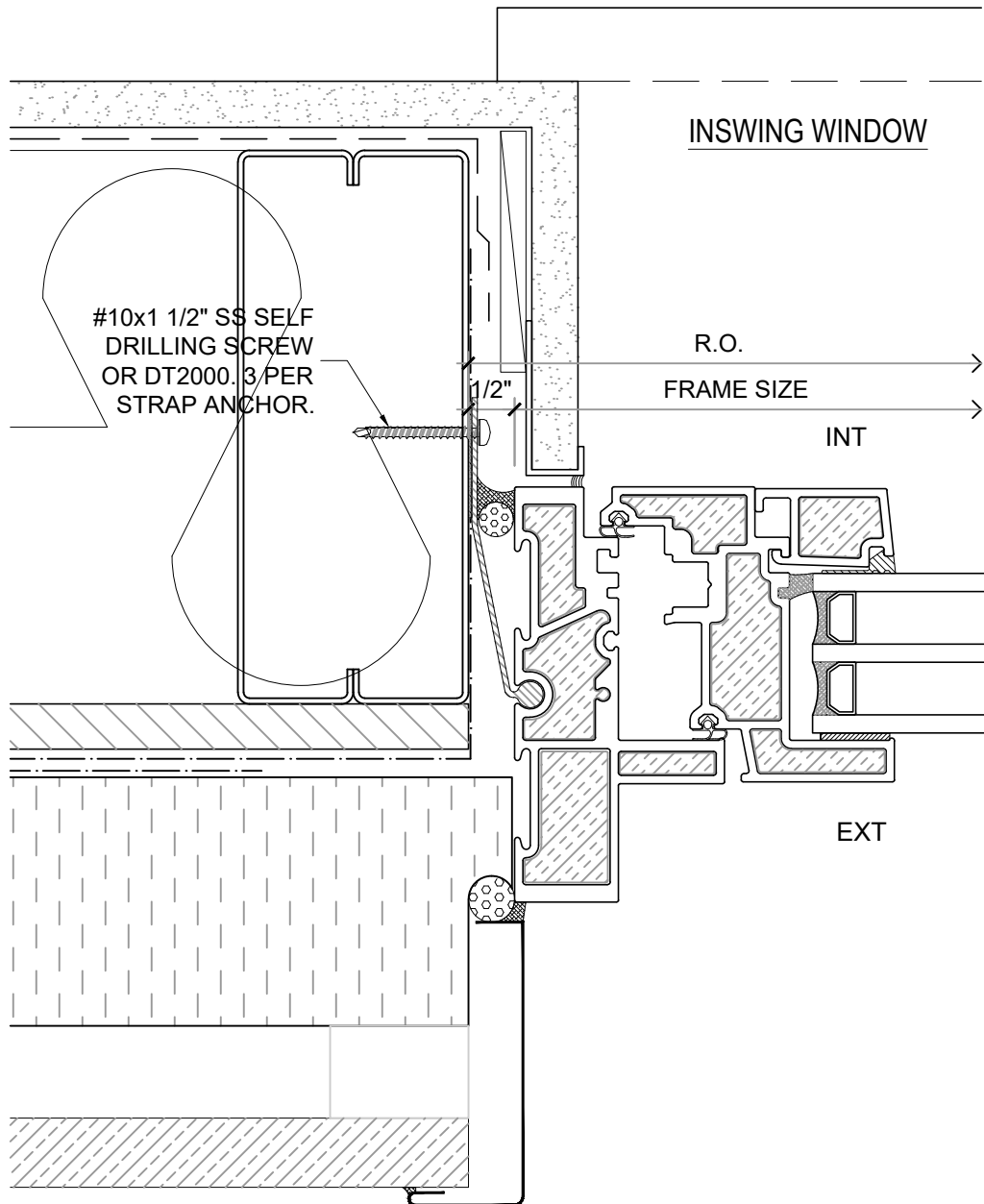
DRAWING NO.: W-1.01T

SCALE: 6" = 1'-0"

PATENTED

DATE: 21 AUGUST, 2020

DRAWN BY: CP



**PATENTED**

**NOTE:** THIS DRAFT DETAIL IS FOR GENERAL ARRANGEMENT PURPOSES ONLY, AND DOES NOT NECESSARILY REPRESENT A DETAIL THAT IS APPROPRIATE FOR A SPECIFIC PROJECT. PRODUCTS AND ACCESSORIES PROVIDED BY CASCADIA MUST BE CONFIRMED FOR SPECIFIC PROJECTS.

**NOTE:** ANCHOR CLIPS AT HEAD AND JAMBS ARE INTERMITTENT

**CASCADIA WINDOWS LTD.**  
 #101-5350 275TH STREET  
 LANGLEY, BC, CANADA V4W 0C1

DRAWING TITLE: **UNIVERSAL SERIES © - TYPICAL WINDOW JAMB**  
**RAINSCREEN WALL ASSEMBLY, EXTERIOR INSULATION**

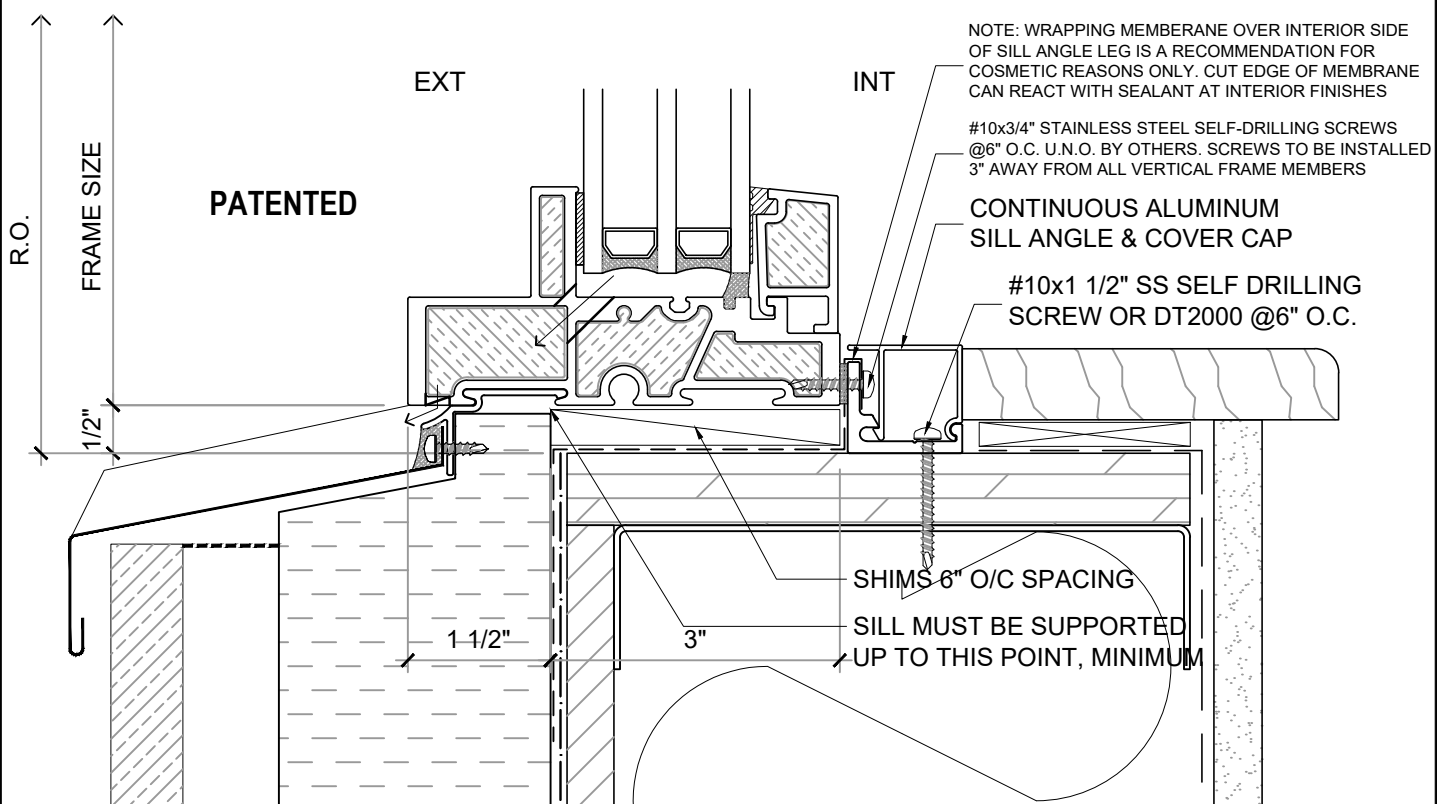
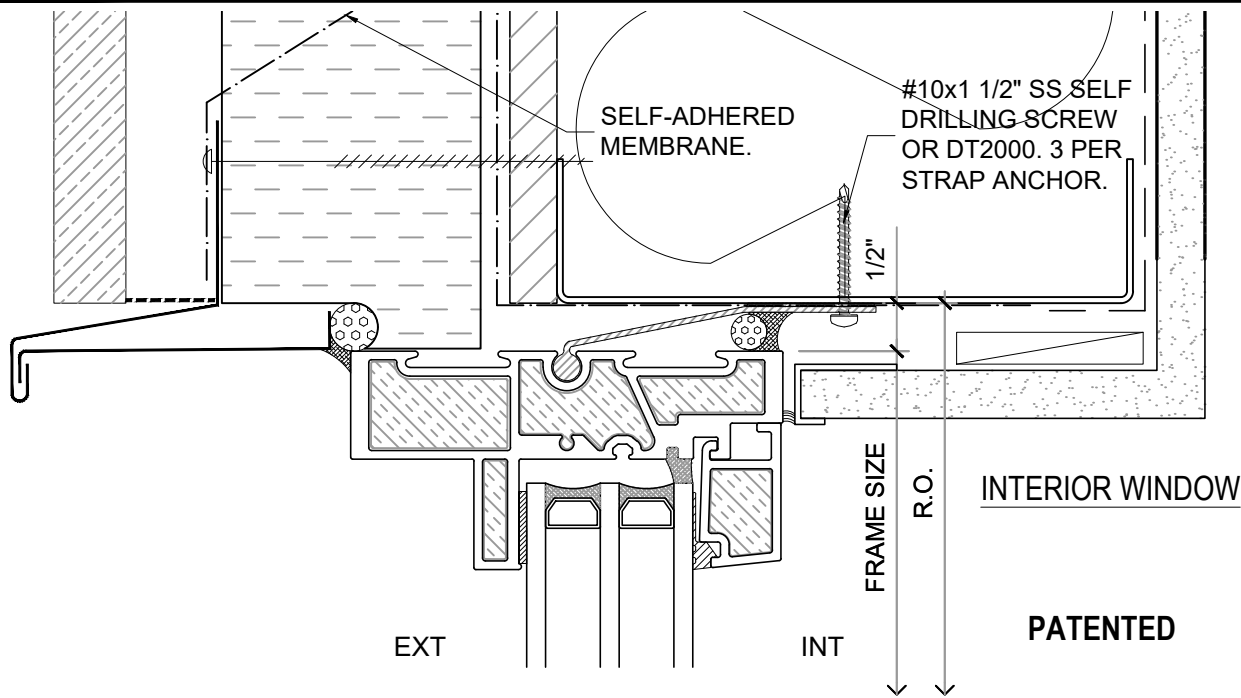
DRAWING NO.: **W-1.02T**

SCALE: 6" = 1'-0"

PATENTED

DATE: 21 AUGUST, 2020

DRAWN BY: CP



NOTE: WRAPPING MEMBRANE OVER INTERIOR SIDE OF SILL ANGLE LEG IS A RECOMMENDATION FOR COSMETIC REASONS ONLY. CUT EDGE OF MEMBRANE CAN REACT WITH SEALANT AT INTERIOR FINISHES

#10x3/4" STAINLESS STEEL SELF-DRILLING SCREWS @6" O.C. U.N.O. BY OTHERS. SCREWS TO BE INSTALLED 3" AWAY FROM ALL VERTICAL FRAME MEMBERS

CONTINUOUS ALUMINUM SILL ANGLE & COVER CAP

#10x1 1/2" SS SELF DRILLING SCREW OR DT2000 @6" O.C.

**NOTE:** "INTERIOR" & "EXTERIOR" REFERS TO THE WINDOW BEING INTERIOR OR EXTERIOR GLAZED

**NOTE:** THIS DRAFT DETAIL IS FOR GENERAL ARRANGEMENT PURPOSES ONLY, AND DOES NOT NECESSARILY REPRESENT A DETAIL THAT IS APPROPRIATE FOR A SPECIFIC PROJECT. PRODUCTS AND ACCESSORIES PROVIDED BY CASCADIA MUST BE CONFIRMED FOR SPECIFIC PROJECTS.

**NOTE:** ANCHOR CLIPS AT HEAD AND JAMBS ARE INTERMITTENT

CASCADIA WINDOWS LTD.  
#101-5350 275TH STREET  
LANGLEY, BC, CANADA V4W 0C1

DRAWING TITLE: **UNIVERSAL SERIES ® - TYP. WINDOW HEAD+SILL**  
RAINSCREEN WALL ASSEMBLY, EXTERIOR INSULATION

DRAWING NO.: **W-1.03T**

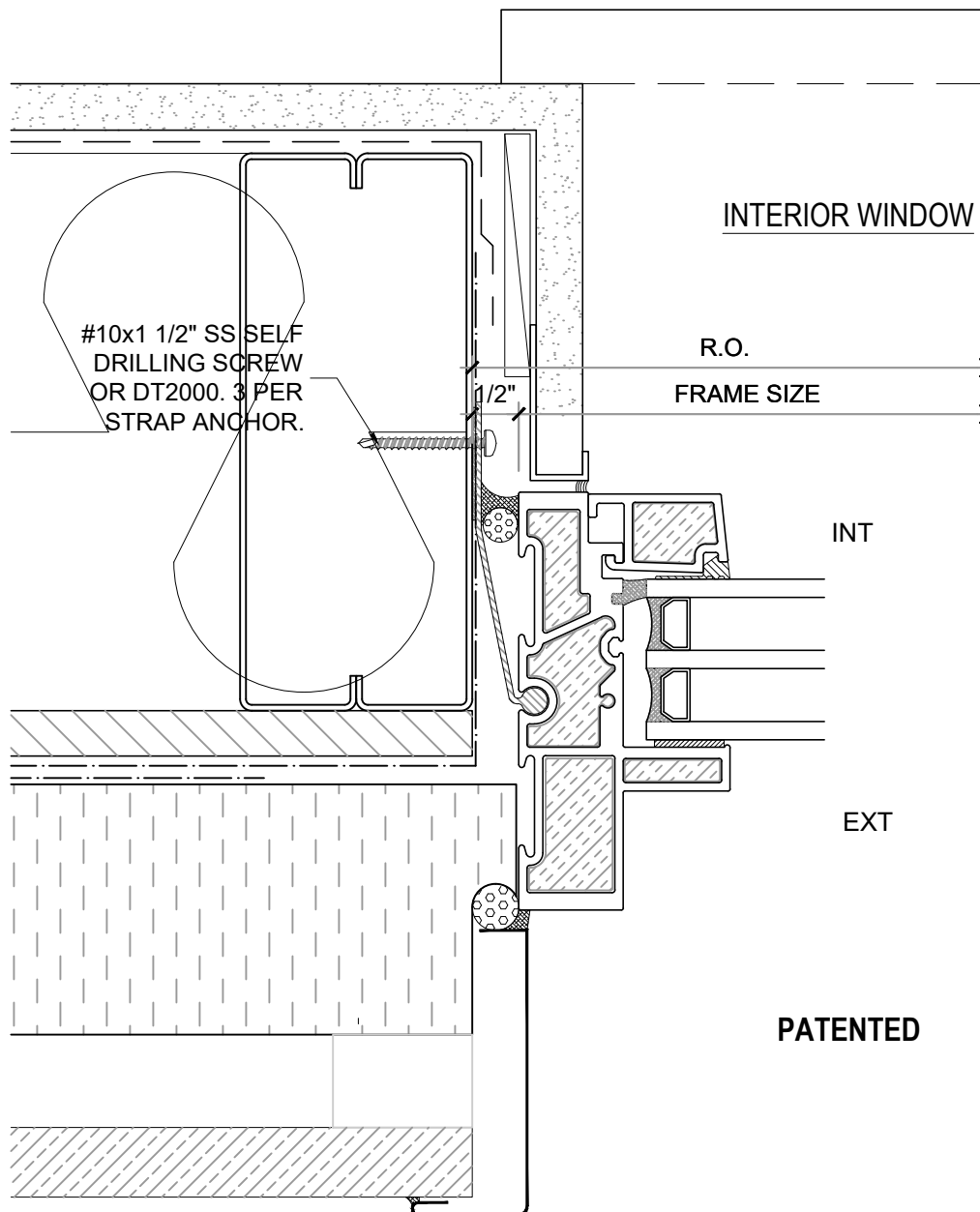
SCALE: 6" = 1'-0"

PATENTED

DATE: 21 AUGUST, 2020

DRAWN BY: CP





**NOTE:** "INTERIOR" & "EXTERIOR" REFERS TO THE WINDOW BEING INTERIOR OR EXTERIOR GLAZED

**NOTE:** THIS DRAFT DETAIL IS FOR GENERAL ARRANGEMENT PURPOSES ONLY, AND DOES NOT NECESSARILY REPRESENT A DETAIL THAT IS APPROPRIATE FOR A SPECIFIC PROJECT. PRODUCTS AND ACCESSORIES PROVIDED BY CASCADIA MUST BE CONFIRMED FOR SPECIFIC PROJECTS.

**NOTE:** ANCHOR CLIPS AT HEAD AND JAMBS ARE INTERMITTENT

CASCADIA WINDOWS LTD.  
 #101-5350 275TH STREET  
 LANGLEY, BC, CANADA V4W 0C1

DRAWING TITLE: **UNIVERSAL SERIES © - TYPICAL WINDOW JAMB**  
**RAINSCREEN WALL ASSEMBLY, EXTERIOR INSULATION**

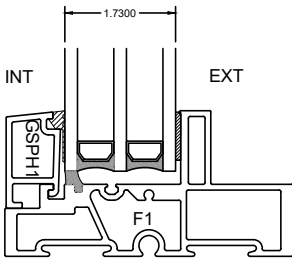
DRAWING NO.:  
**W-1.04T**

SCALE: 6" = 1'-0"

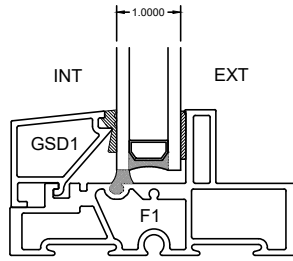
PATENTED

DATE: 21 AUGUST, 2020

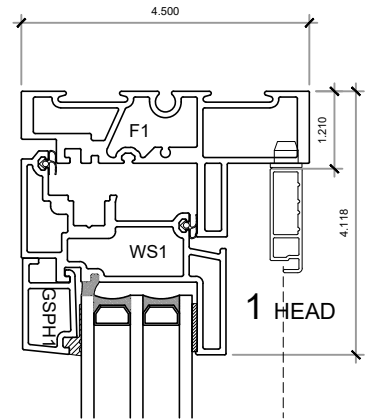
DRAWN BY: CP



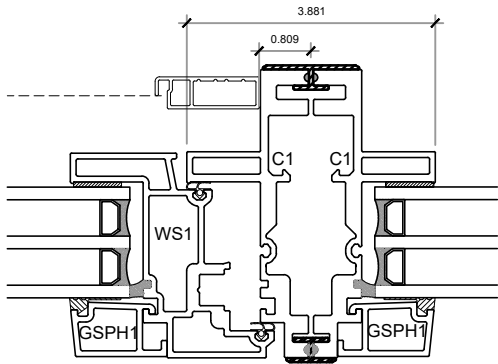
TRIPLE GLAZED  
GLAZING STOP



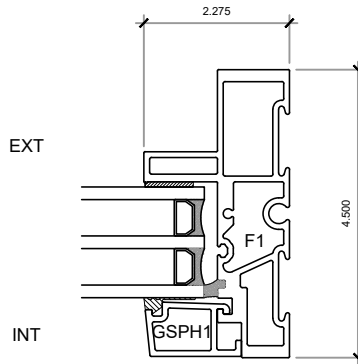
DOUBLE GLAZED  
GLAZING STOP



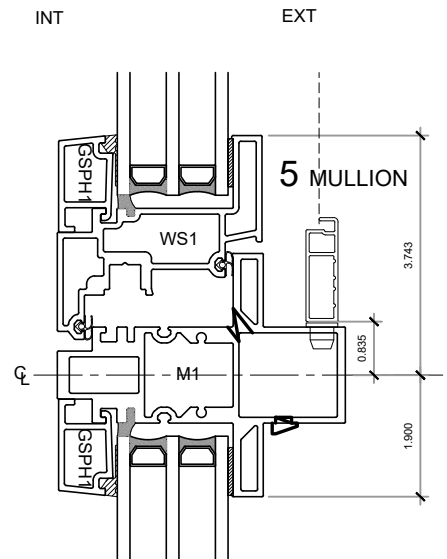
1 HEAD



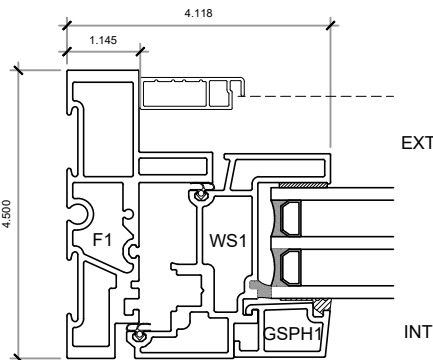
4 COUPLED MULLION



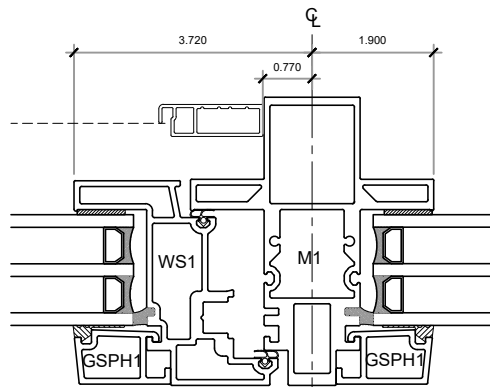
3 FIXED JAMB



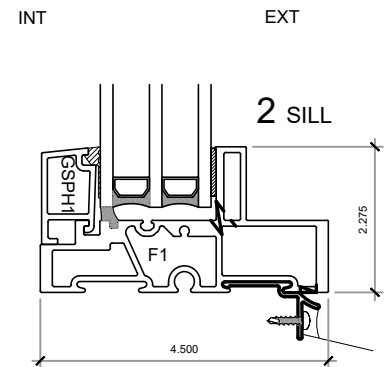
5 MULLION



6 OPERABLE JAMB



5 MULLION



2 SILL

**PATENTED**

**NOTE:** THIS DRAFT DETAIL IS FOR GENERAL ARRANGEMENT PURPOSES ONLY, AND DOES NOT NECESSARILY REPRESENT A DETAIL THAT IS APPROPRIATE FOR A SPECIFIC PROJECT. PRODUCTS AND ACCESSORIES PROVIDED BY CASCADIA MUST BE CONFIRMED FOR SPECIFIC PROJECTS.

CASCADIA WINDOWS LTD.  
#101-5350 275TH STREET  
LANGLEY, BC, CANADA V4W 0C1

DRAWING  
TITLE:

**UNIVERSAL SERIES ® - INSWING WINDOW**  
PRODUCT DRAWING

DRAWING NO.:

**W-2.01T**

SCALE: 4" = 1'-0"

PATENTED

DATE: 21 AUGUST, 2020

DRAWN BY: CP