

NOTE: THIS DRAFT DETAIL IS FOR GENERAL ARRANGEMENT PURPOSES ONLY, AND DOES NOT NECESSARILY REPRESENT A DETAIL THAT IS APPROPRIATE FOR A SPECIFIC PROJECT. PRODUCTS AND ACCESSORIES PROVIDED BY CASCADIA MUST BE CONFIRMED FOR SPECIFIC PROJECTS.

NOTE: ANCHOR CLIPS AT HEAD AND JAMBS ARE INTERMITTENT

CASCADIA WINDOWS LTD.  
 #101-5350 275TH STREET  
 LANGLEY, BC, CANADA V4W 0C1

DRAWING TITLE: UNIVERSAL SERIES - TYPICAL WINDOW HEADS  
 RAINSCREEN WALL ASSEMBLY, EXTERIOR INSULATION

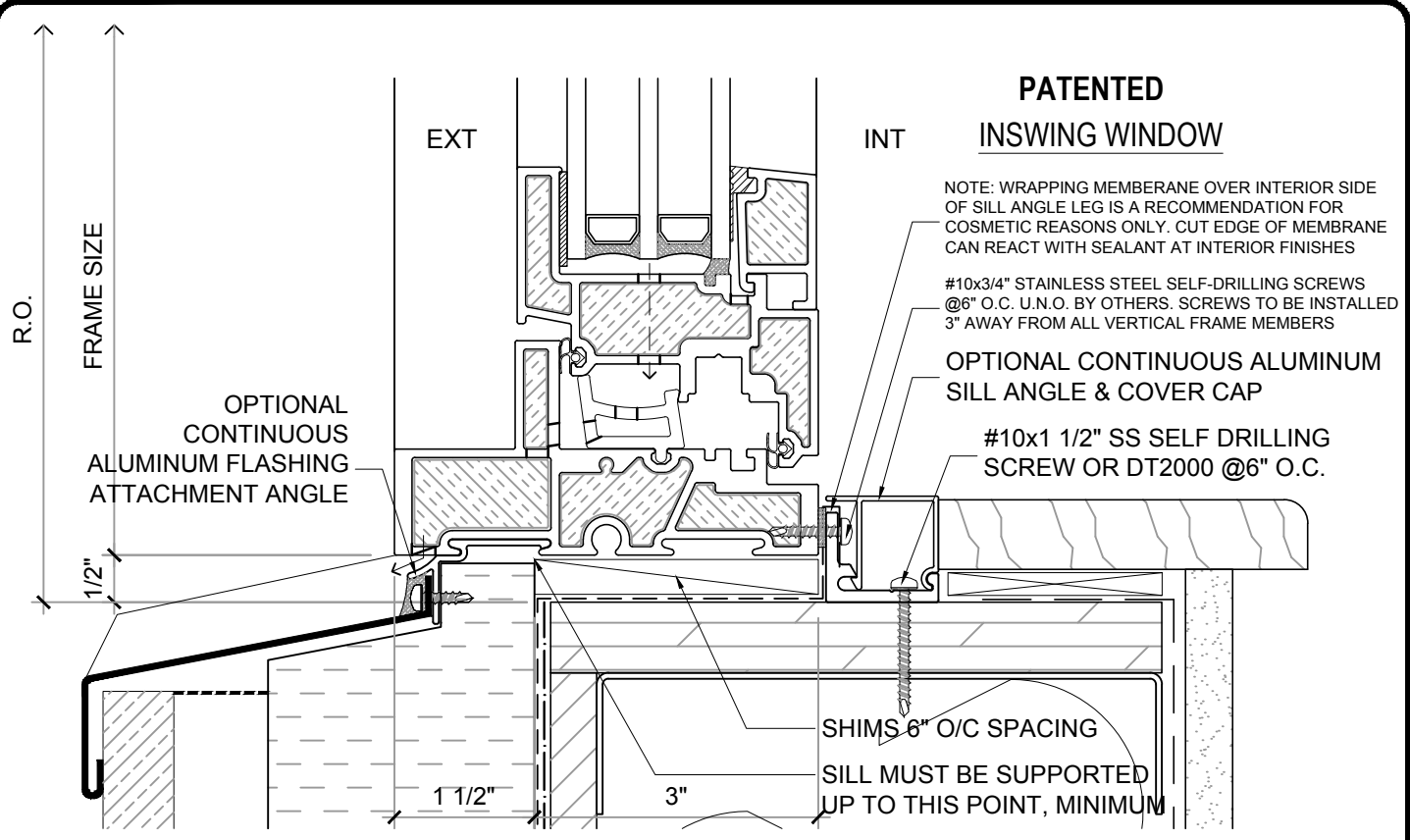
DRAWING NO.:  
 W-1.01

SCALE: 6" = 1'-0"

PATENTED

DATE: 18 JUNE, 2018

DRAWN BY: CP



**PATENTED  
INSWING WINDOW**

NOTE: WRAPPING MEMBERANE OVER INTERIOR SIDE OF SILL ANGLE LEG IS A RECOMMENDATION FOR COSMETIC REASONS ONLY. CUT EDGE OF MEMBRANE CAN REACT WITH SEALANT AT INTERIOR FINISHES

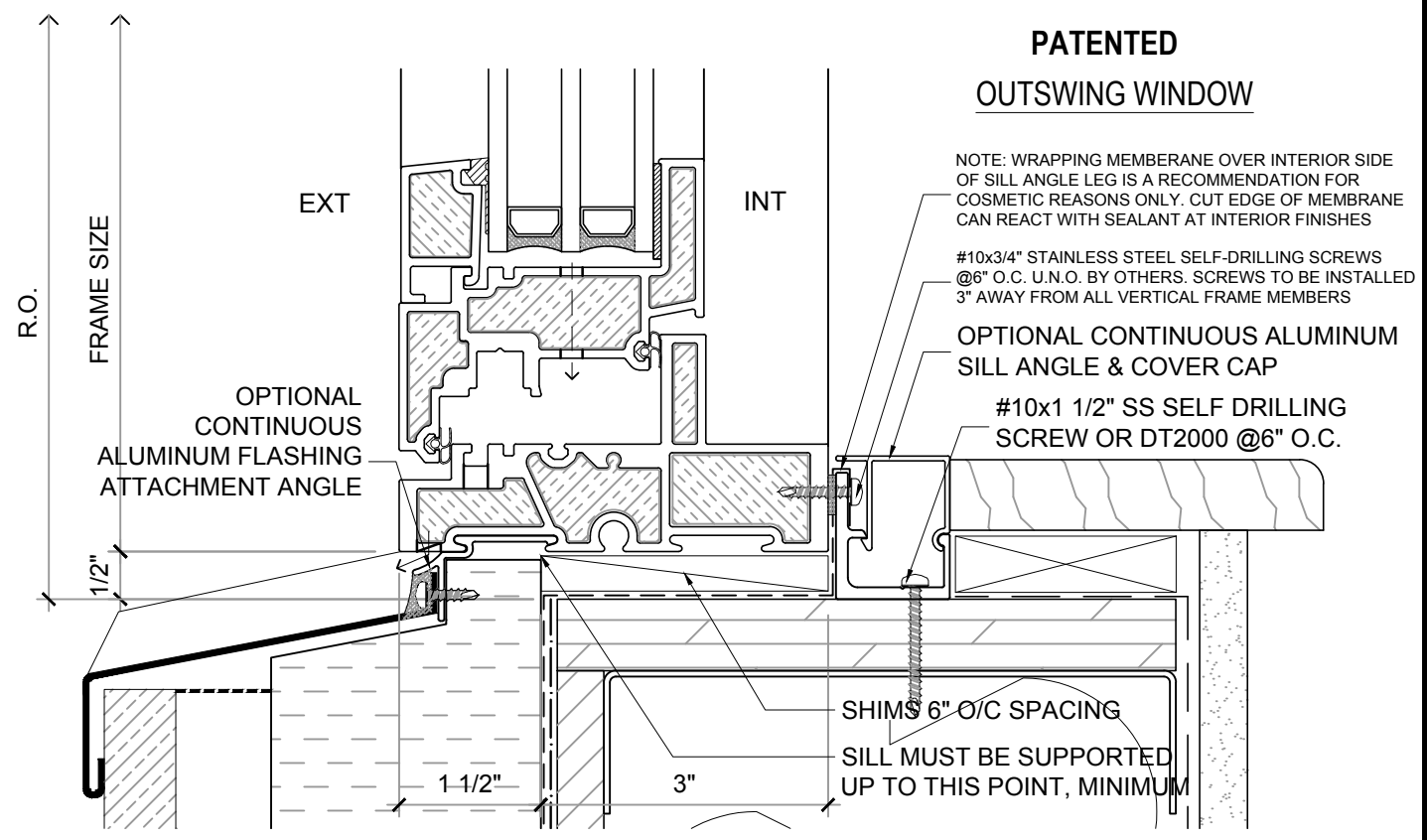
#10x3/4" STAINLESS STEEL SELF-DRILLING SCREWS @6" O.C. U.N.O. BY OTHERS. SCREWS TO BE INSTALLED 3" AWAY FROM ALL VERTICAL FRAME MEMBERS

OPTIONAL CONTINUOUS ALUMINUM SILL ANGLE & COVER CAP

#10x1 1/2" SS SELF DRILLING SCREW OR DT2000 @6" O.C.

SHIMS 8" O/C SPACING

SILL MUST BE SUPPORTED UP TO THIS POINT, MINIMUM



**PATENTED  
OUTSWING WINDOW**

NOTE: WRAPPING MEMBERANE OVER INTERIOR SIDE OF SILL ANGLE LEG IS A RECOMMENDATION FOR COSMETIC REASONS ONLY. CUT EDGE OF MEMBRANE CAN REACT WITH SEALANT AT INTERIOR FINISHES

#10x3/4" STAINLESS STEEL SELF-DRILLING SCREWS @6" O.C. U.N.O. BY OTHERS. SCREWS TO BE INSTALLED 3" AWAY FROM ALL VERTICAL FRAME MEMBERS

OPTIONAL CONTINUOUS ALUMINUM SILL ANGLE & COVER CAP

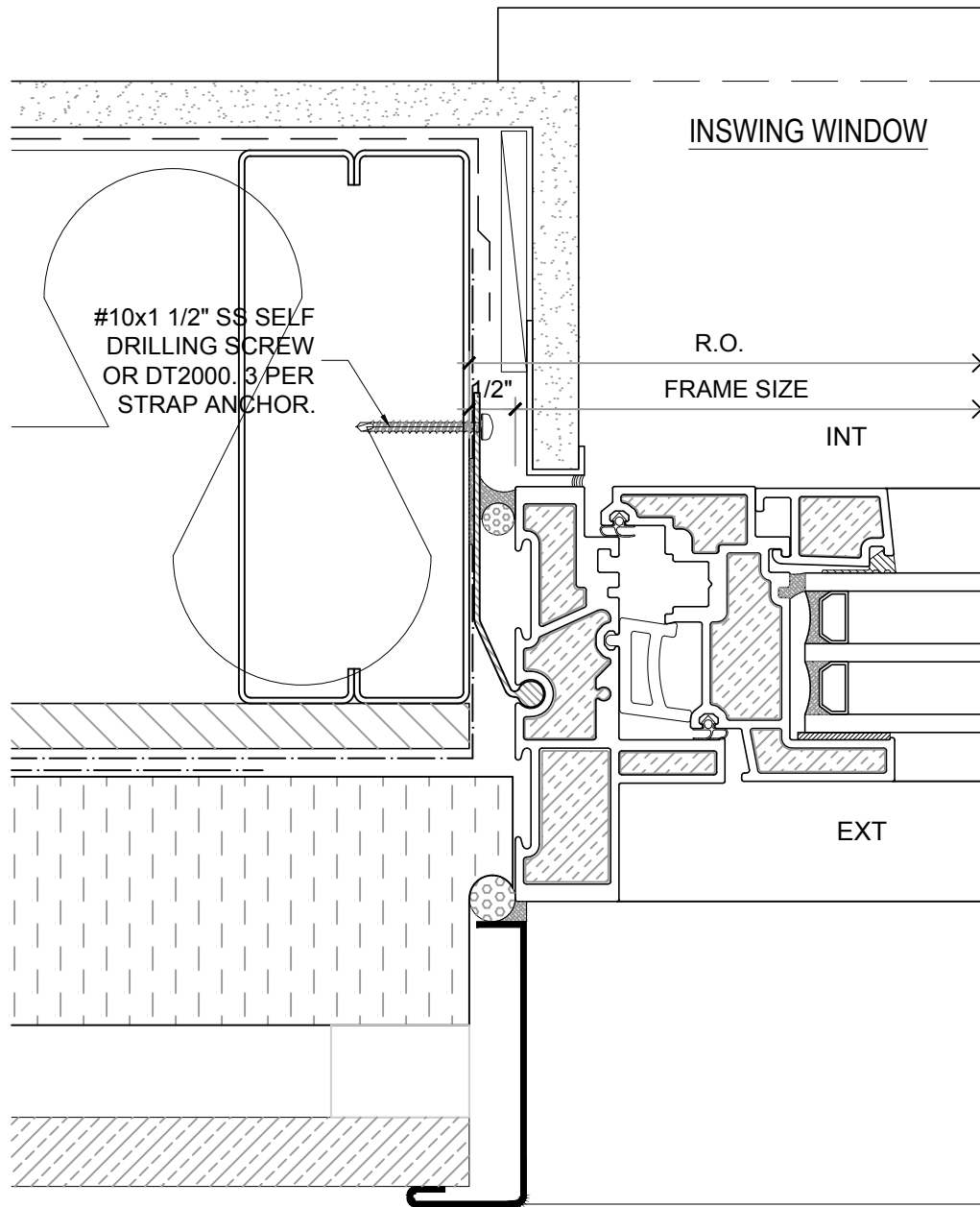
#10x1 1/2" SS SELF DRILLING SCREW OR DT2000 @6" O.C.

SHIMS 6" O/C SPACING

SILL MUST BE SUPPORTED UP TO THIS POINT, MINIMUM

NOTE: THIS DRAFT DETAIL IS FOR GENERAL ARRANGEMENT PURPOSES ONLY, AND DOES NOT NECESSARILY REPRESENT A DETAIL THAT IS APPROPRIATE FOR A SPECIFIC PROJECT. PRODUCTS AND ACCESSORIES PROVIDED BY CASCADIA MUST BE CONFIRMED FOR SPECIFIC PROJECTS.

<b>CASCADIA WINDOWS LTD.</b> #101-5350 275TH STREET LANGLEY, BC, CANADA V4W 0C1	DRAWING TITLE: <b>UNIVERSAL SERIES - TYPICAL WINDOW SILLS</b> <b>RAINSREEN WALL ASSEMBLY, EXTERIOR INSULATION</b>		DRAWING NO.: <b>W-1.02</b>
	SCALE: 6" = 1'-0"	PATENTED	DATE: 18 JUNE, 2018



**PATENTED**

**NOTE:** THIS DRAFT DETAIL IS FOR GENERAL ARRANGEMENT PURPOSES ONLY, AND DOES NOT NECESSARILY REPRESENT A DETAIL THAT IS APPROPRIATE FOR A SPECIFIC PROJECT. PRODUCTS AND ACCESSORIES PROVIDED BY CASCADIA MUST BE CONFIRMED FOR SPECIFIC PROJECTS.

**NOTE:** ANCHOR CLIPS AT HEAD AND JAMBS ARE INTERMITTENT

**CASCADIA WINDOWS LTD.**  
 #101-5350 275TH STREET  
 LANGLEY, BC, CANADA V4W 0C1

DRAWING TITLE: **UNIVERSAL SERIES - TYPICAL WINDOW JAMB**  
**RAINSCREEN WALL ASSEMBLY, EXTERIOR INSULATION**

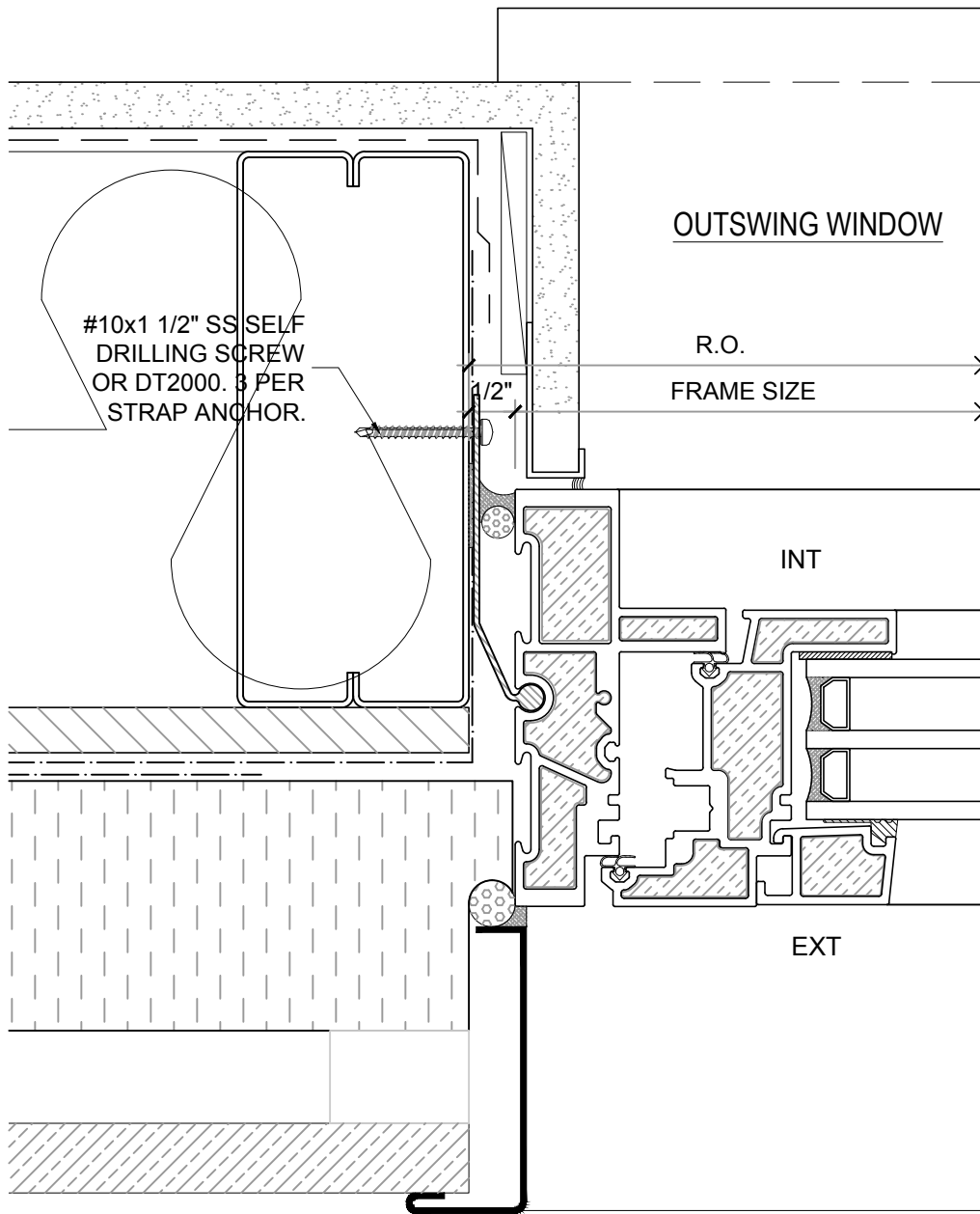
DRAWING NO.: **W-1.03**

SCALE: 6" = 1'-0"

PATENTED

DATE: 18 JUNE, 2018

DRAWN BY: CP



**PATENTED**

*NOTE: THIS DRAFT DETAIL IS FOR GENERAL ARRANGEMENT PURPOSES ONLY, AND DOES NOT NECESSARILY REPRESENT A DETAIL THAT IS APPROPRIATE FOR A SPECIFIC PROJECT. PRODUCTS AND ACCESSORIES PROVIDED BY CASCADIA MUST BE CONFIRMED FOR SPECIFIC PROJECTS.*

**NOTE:** ANCHOR CLIPS AT HEAD AND JAMBS ARE INTERMITTENT

**CASCADIA WINDOWS LTD.**  
 #101-5350 275TH STREET  
 LANGLEY, BC, CANADA V4W 0C1

DRAWING TITLE: **UNIVERSAL SERIES - TYPICAL WINDOW JAMB**  
**RAINSCREEN WALL ASSEMBLY, EXTERIOR INSULATION**

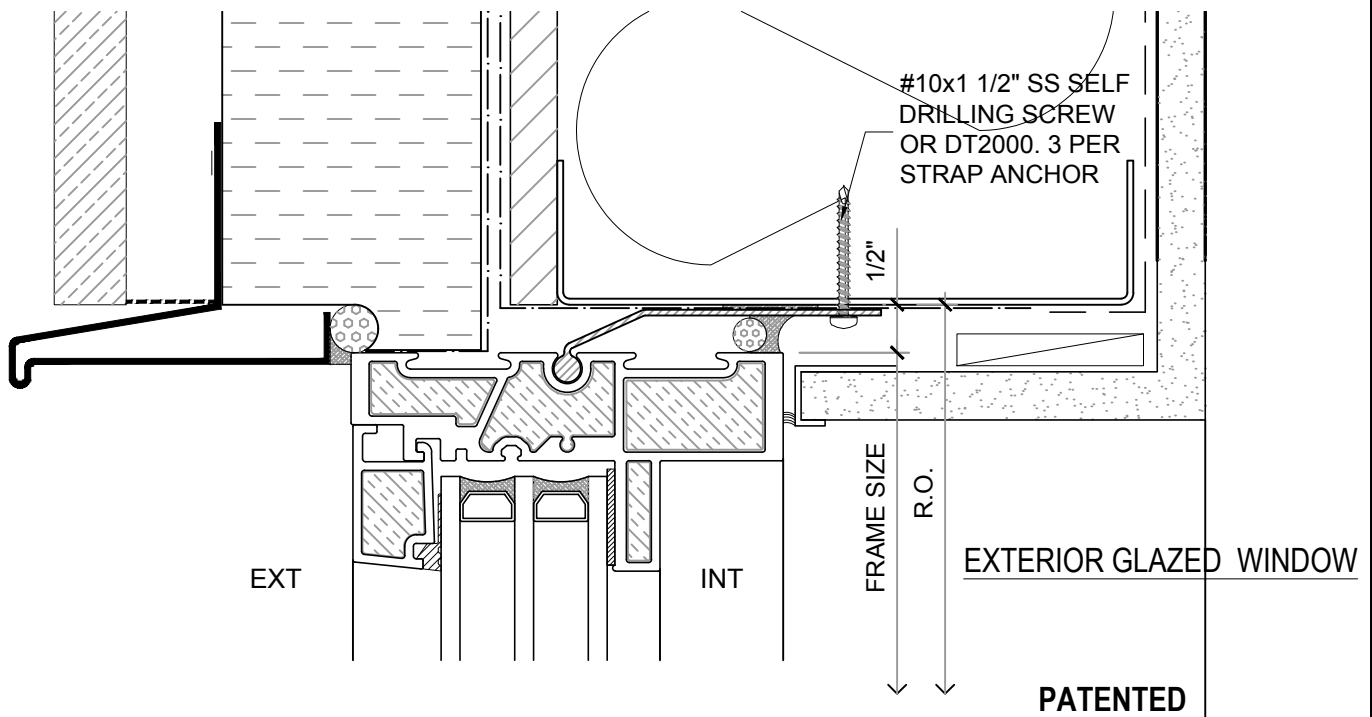
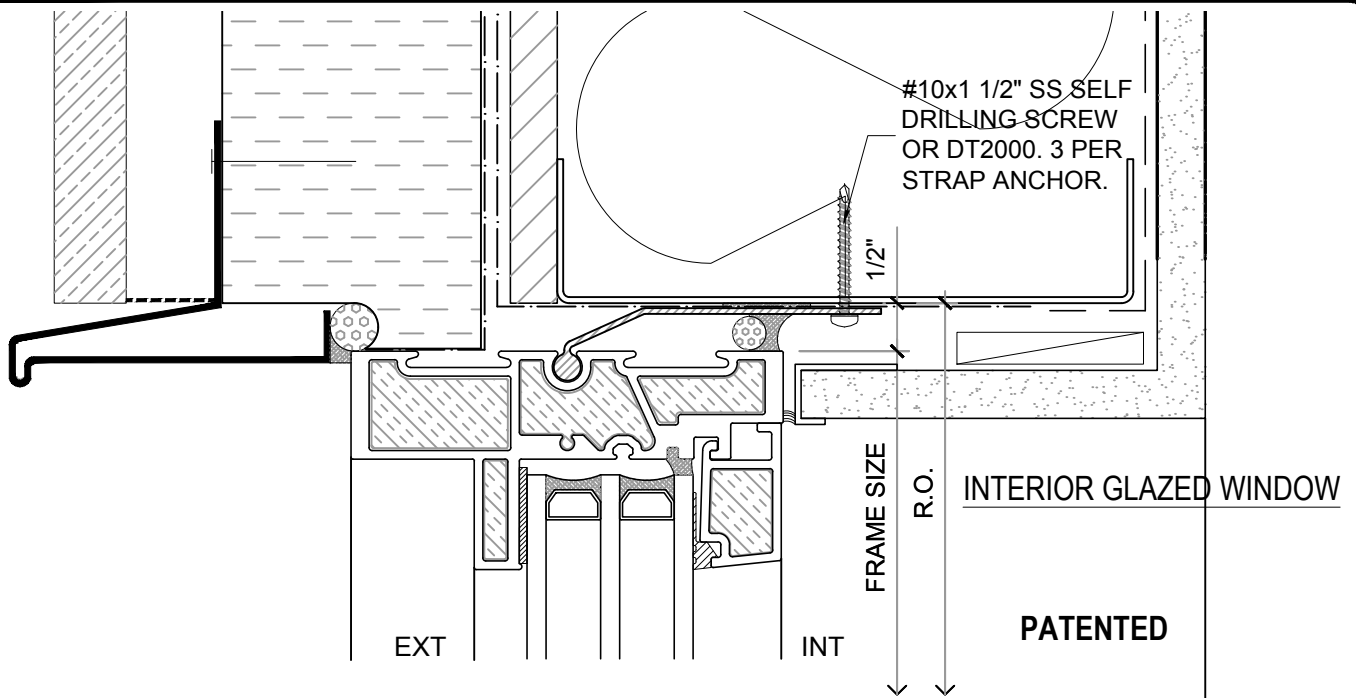
DRAWING NO.: **W-1.04**

SCALE: 6" = 1'-0"

PATENTED

DATE: 18 JUNE, 2018

DRAWN BY: CP



**NOTE:** "INTERIOR" & "EXTERIOR" REFERS TO THE WINDOW BEING INTERIOR OR EXTERIOR GLAZED

**NOTE:** THIS DRAFT DETAIL IS FOR GENERAL ARRANGEMENT PURPOSES ONLY, AND DOES NOT NECESSARILY REPRESENT A DETAIL THAT IS APPROPRIATE FOR A SPECIFIC PROJECT. PRODUCTS AND ACCESSORIES PROVIDED BY CASCADIA MUST BE CONFIRMED FOR SPECIFIC PROJECTS.

**NOTE:** ANCHOR CLIPS AT HEAD AND JAMBS ARE INTERMITTENT

CASCADIA WINDOWS LTD.  
 #101-5350 275TH STREET  
 LANGLEY, BC, CANADA V4W 0C1

DRAWING TITLE: **UNIVERSAL SERIES - TYPICAL WINDOW HEADS**  
**RAINSCREEN WALL ASSEMBLY, EXTERIOR INSULATION**

DRAWING NO.:  
**W-1.05**

SCALE: 6" = 1'-0"

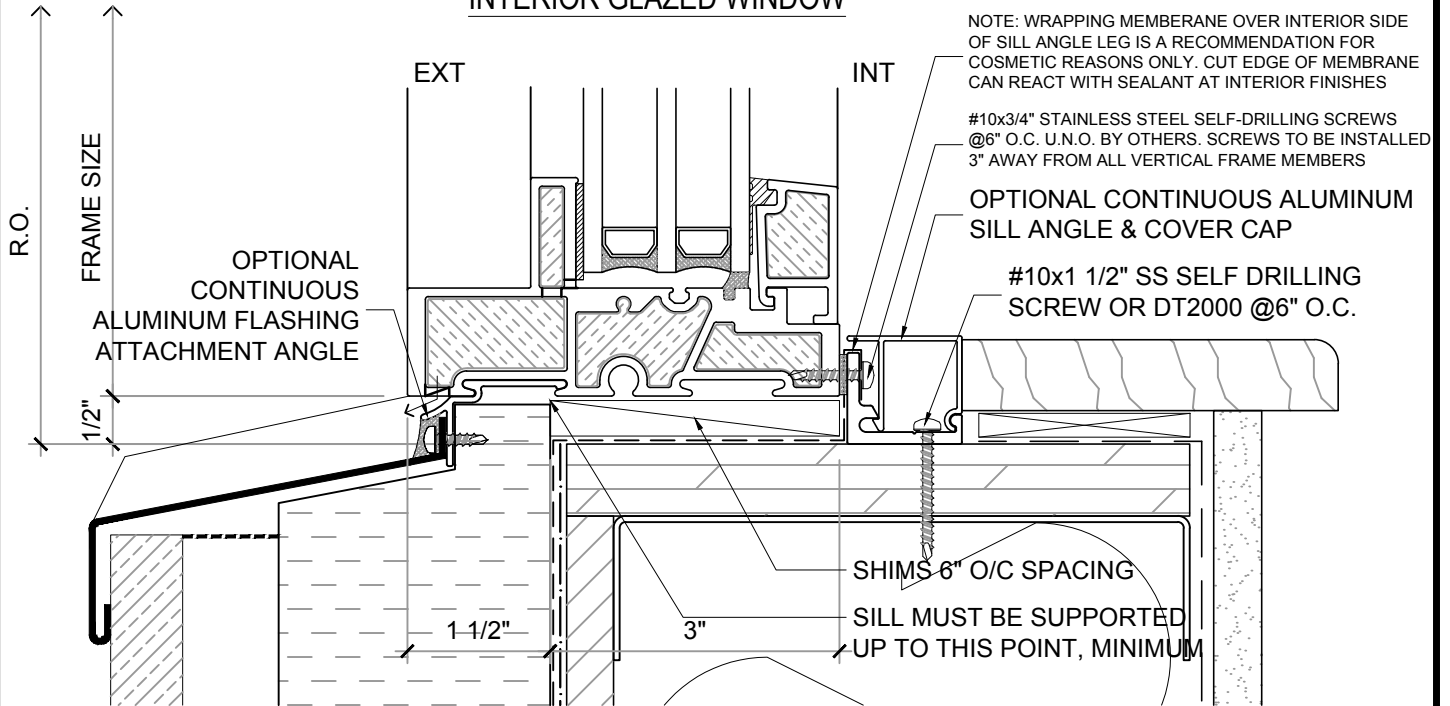
PATENTED

DATE: 18 JUNE, 2018

DRAWN BY: CP

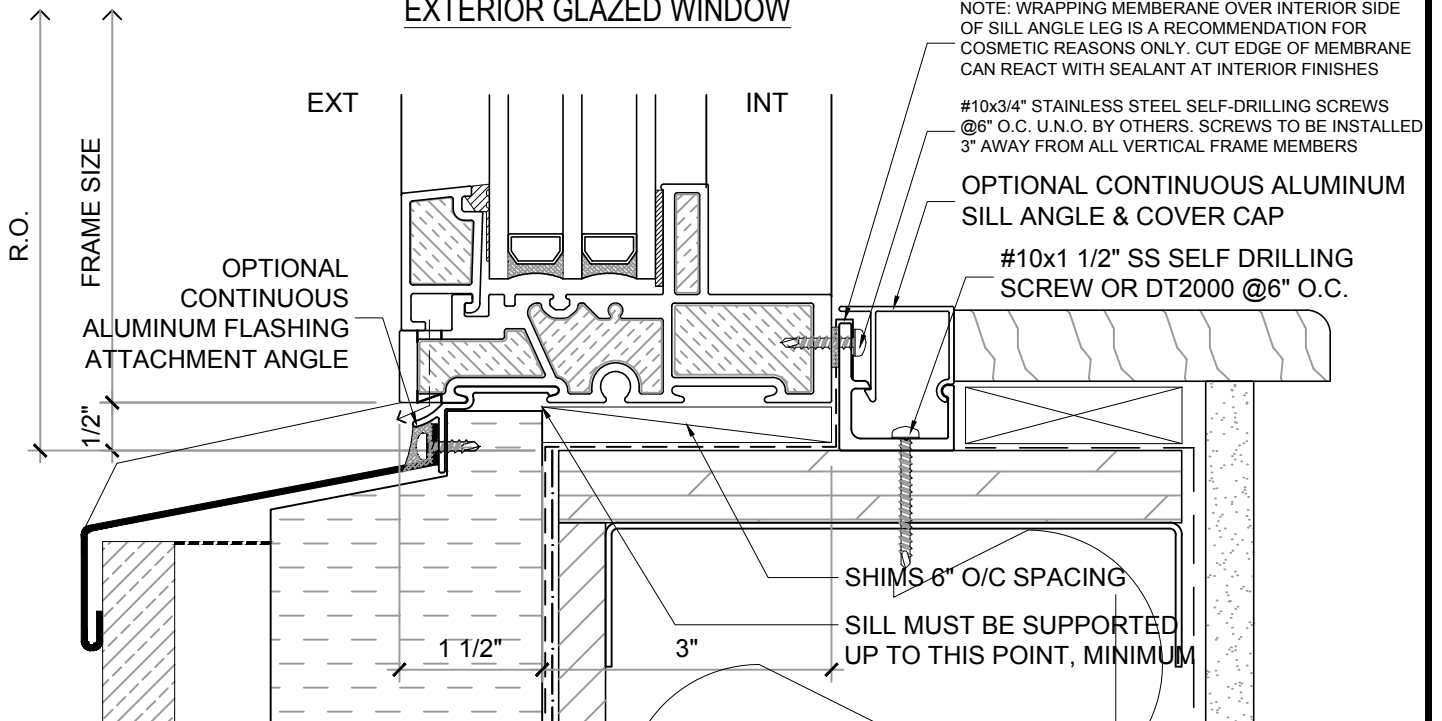
PATENTED

INTERIOR GLAZED WINDOW



PATENTED

EXTERIOR GLAZED WINDOW



NOTE: "INTERIOR" & "EXTERIOR" REFERS TO THE WINDOW BEING INTERIOR OR EXTERIOR GLAZED

NOTE: THIS DRAFT DETAIL IS FOR GENERAL ARRANGEMENT PURPOSES ONLY, AND DOES NOT NECESSARILY REPRESENT A DETAIL THAT IS APPROPRIATE FOR A SPECIFIC PROJECT. PRODUCTS AND ACCESSORIES PROVIDED BY CASCADIA MUST BE CONFIRMED FOR SPECIFIC PROJECTS.

CASCADIA WINDOWS LTD.  
#101-5350 275TH STREET  
LANGLEY, BC, CANADA V4W 0C1

DRAWING TITLE: UNIVERSAL SERIES - TYPICAL WINDOW SILLS  
RAINSCREEN WALL ASSEMBLY, EXTERIOR INSULATION

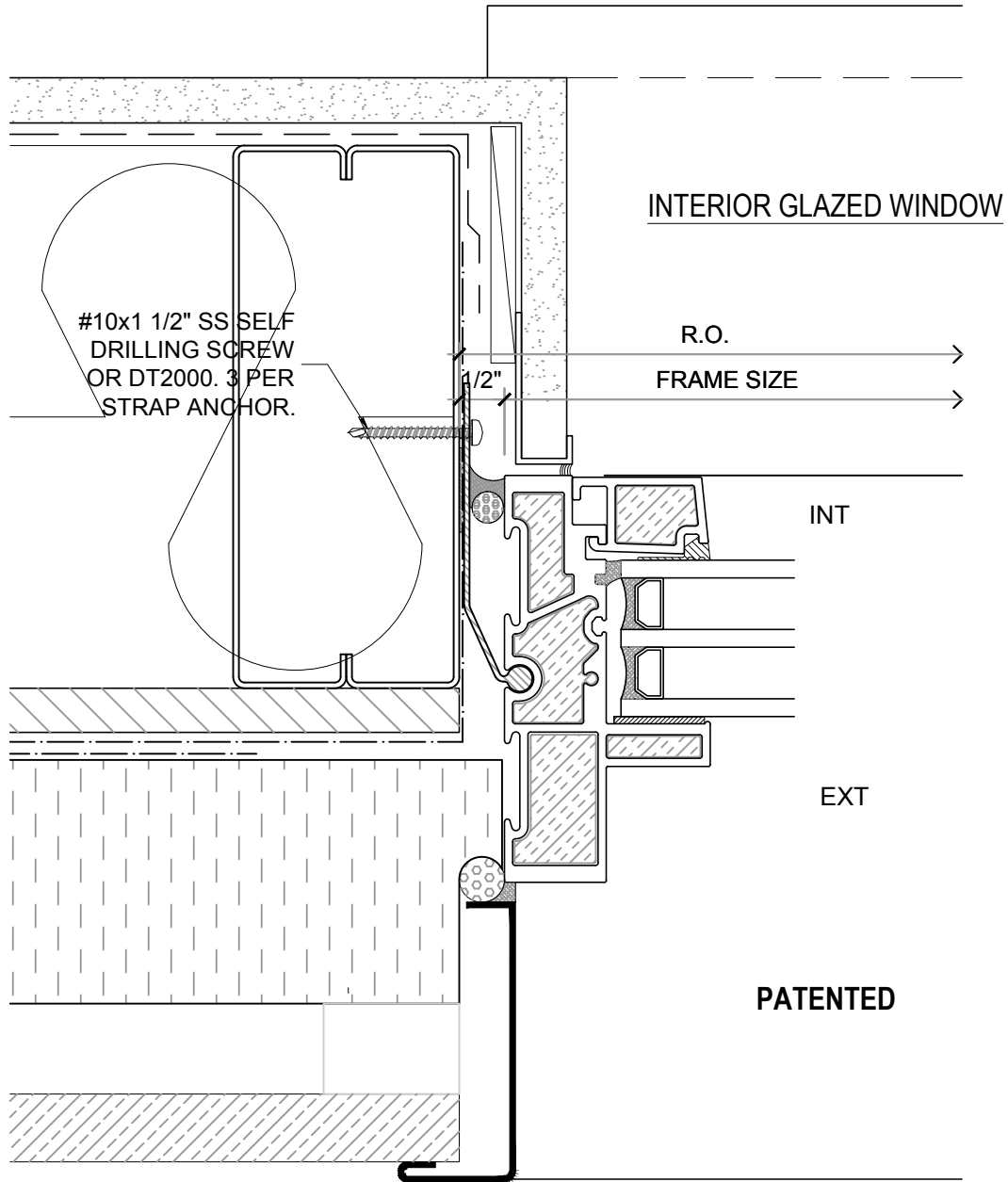
DRAWING NO.: W-1.06

SCALE: 6" = 1'-0"

PATENTED

DATE: 18 JUNE, 2018

DRAWN BY: CP



**NOTE:** "INTERIOR" & "EXTERIOR"  
 REFERS TO THE WINDOW BEING  
 INTERIOR OR EXTERIOR GLAZED

**NOTE:** THIS DRAFT DETAIL IS FOR GENERAL ARRANGEMENT PURPOSES ONLY, AND DOES NOT  
 NECESSARILY REPRESENT A DETAIL THAT IS APPROPRIATE FOR A SPECIFIC PROJECT. PRODUCTS AND  
 ACCESSORIES PROVIDED BY CASCADIA MUST BE CONFIRMED FOR SPECIFIC PROJECTS.

**NOTE:** ANCHOR CLIPS AT HEAD AND  
 JAMBS ARE INTERMITTENT

**CASCADIA WINDOWS LTD.**  
 #101-5350 275TH STREET  
 LANGLEY, BC, CANADA V4W 0C1

DRAWING TITLE: **UNIVERSAL SERIES - TYPICAL WINDOW JAMB**  
**RAINSCREEN WALL ASSEMBLY, EXTERIOR INSULATION**

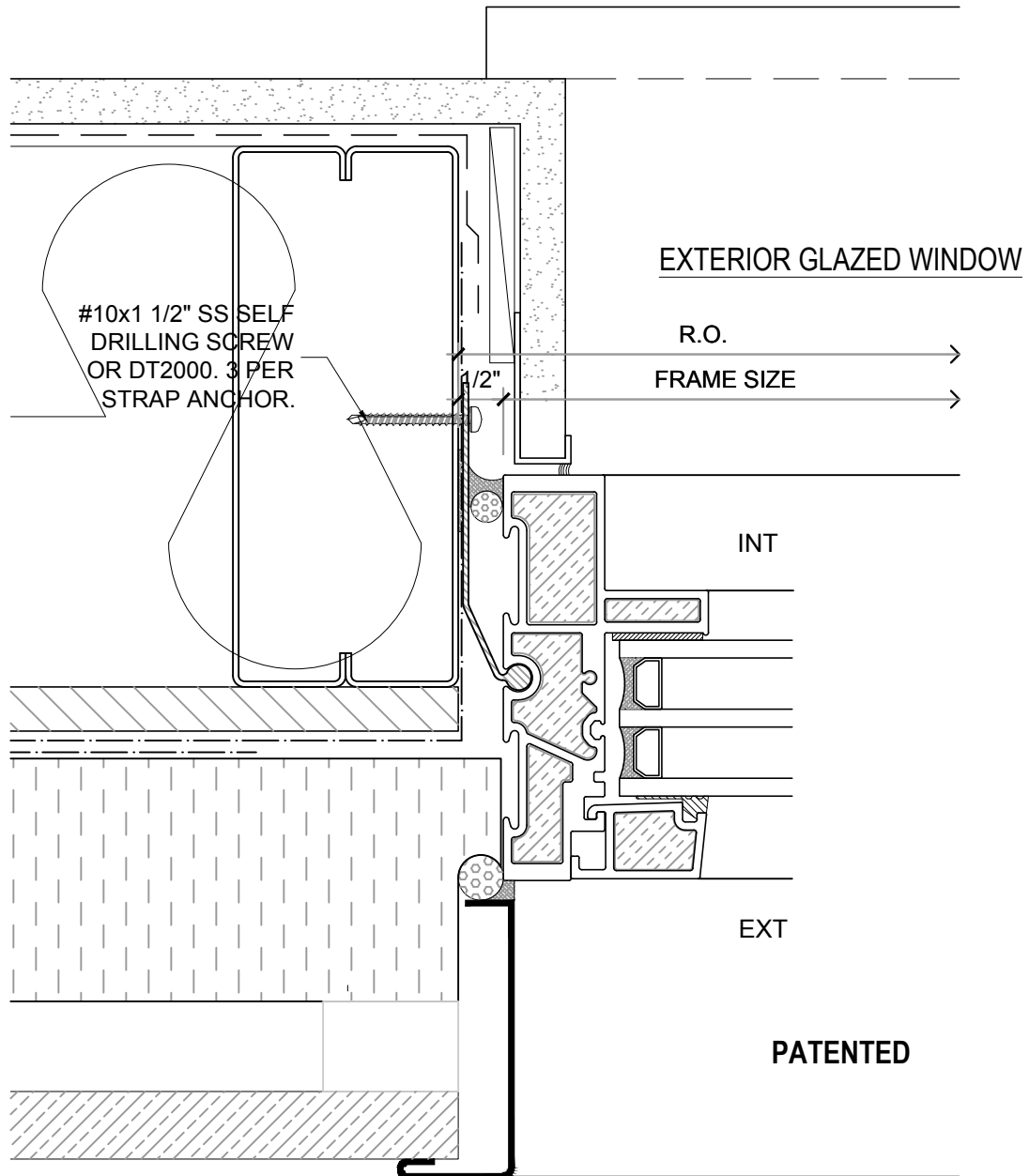
DRAWING NO.:  
**W-1.07**

SCALE: 6" = 1'-0"

PATENTED

DATE: 18 JUNE, 2018

DRAWN BY: CP



**NOTE:** "INTERIOR" & "EXTERIOR"  
REFERS TO THE WINDOW BEING  
INTERIOR OR EXTERIOR GLAZED

*NOTE: THIS DRAFT DETAIL IS FOR GENERAL ARRANGEMENT PURPOSES ONLY, AND DOES NOT  
NECESSARILY REPRESENT A DETAIL THAT IS APPROPRIATE FOR A SPECIFIC PROJECT. PRODUCTS AND  
ACCESSORIES PROVIDED BY CASCADIA MUST BE CONFIRMED FOR SPECIFIC PROJECTS.*

**NOTE:** ANCHOR CLIPS AT HEAD AND  
JAMBS ARE INTERMITTENT

**CASCADIA WINDOWS LTD.**  
#101-5350 275TH STREET  
LANGLEY, BC, CANADA V4W 0C1

DRAWING TITLE: **UNIVERSAL SERIES - TYPICAL WINDOW JAMB**  
**RAINSCREEN WALL ASSEMBLY, EXTERIOR INSULATION**

DRAWING NO.:  
**W-1.08**

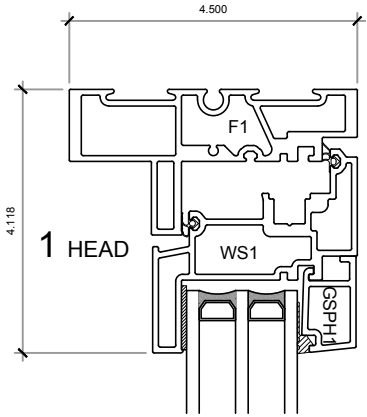
SCALE: 6" = 1'-0"

PATENTED

DATE: 18 JUNE, 2018

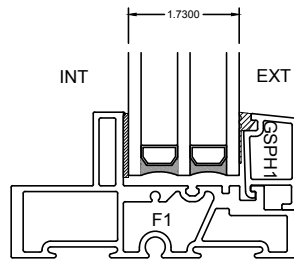
DRAWN BY: CP



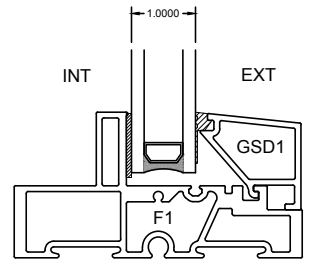


1 HEAD

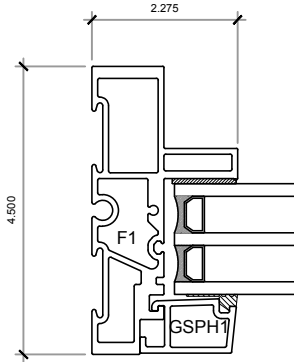
INT EXT



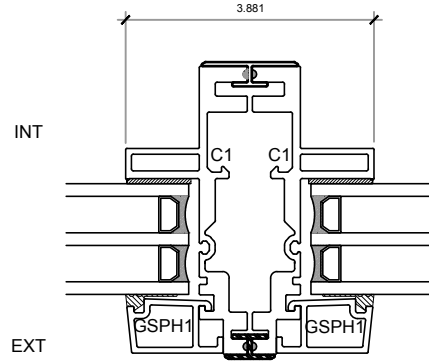
TRIPLE GLAZED  
GLAZING STOP



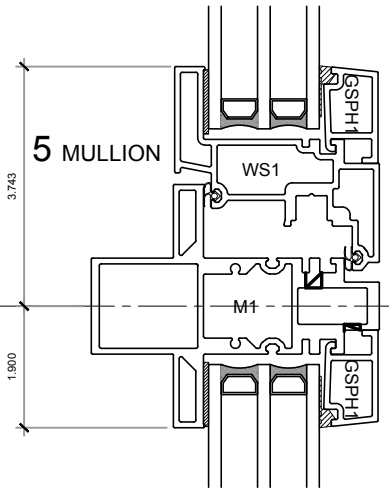
DOUBLE GLAZED  
GLAZING STOP



3 FIXED JAMB

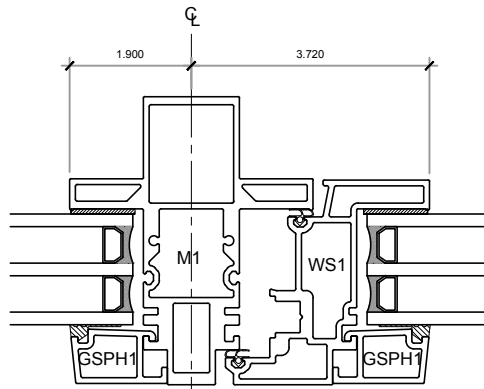


4 COUPLED MULLION

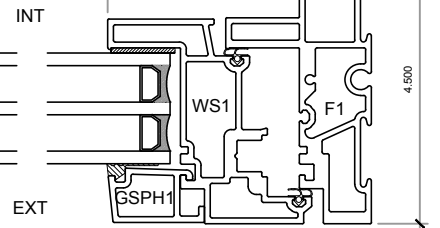


5 MULLION

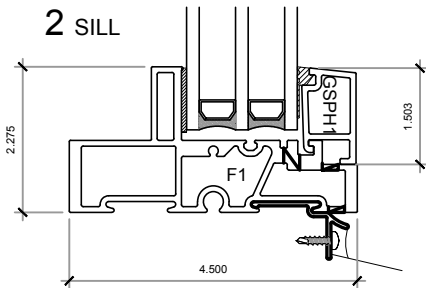
INT EXT



5 MULLION



6 OPERABLE JAMB



2 SILL

PATENTED

NOTE: THIS DRAFT DETAIL IS FOR GENERAL ARRANGEMENT PURPOSES ONLY, AND DOES NOT NECESSARILY REPRESENT A DETAIL THAT IS APPROPRIATE FOR A SPECIFIC PROJECT. PRODUCTS AND ACCESSORIES PROVIDED BY CASCADIA MUST BE CONFIRMED FOR SPECIFIC PROJECTS.

CASCADIA WINDOWS LTD.  
#101-5350 275TH STREET  
LANGLEY, BC, CANADA V4W 0C1

DRAWING TITLE: UNIVERSAL SERIES - OUTSWING WINDOW  
PRODUCT DRAWING

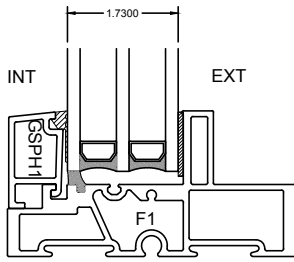
DRAWING NO.:  
W-2.01

SCALE: 4" = 1'-0"

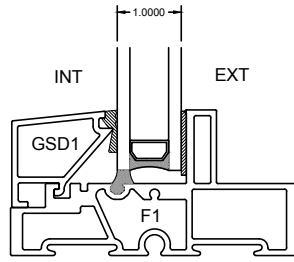
PATENTED

DATE: 18 JUNE, 2018

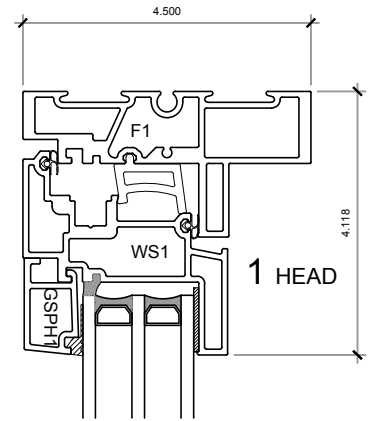
DRAWN BY: CP



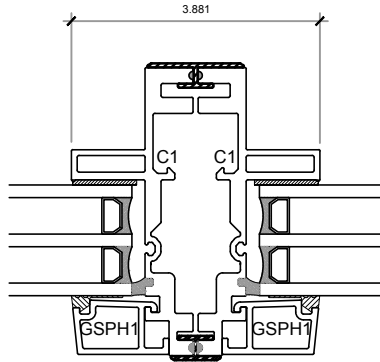
TRIPLE GLAZED  
GLAZING STOP



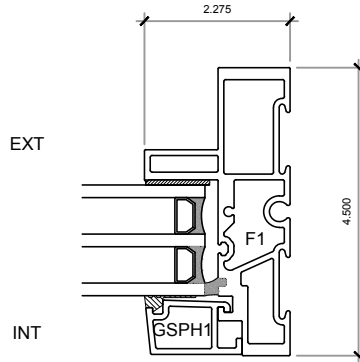
DOUBLE GLAZED  
GLAZING STOP



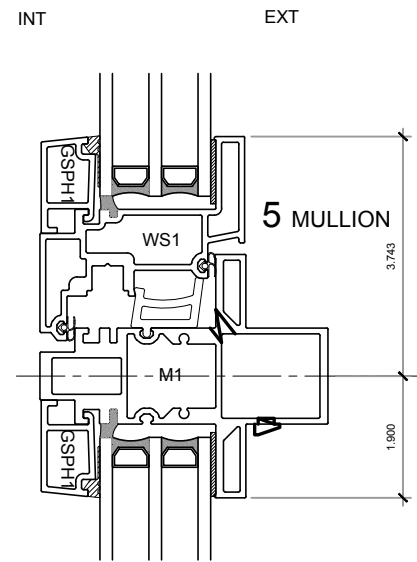
1 HEAD



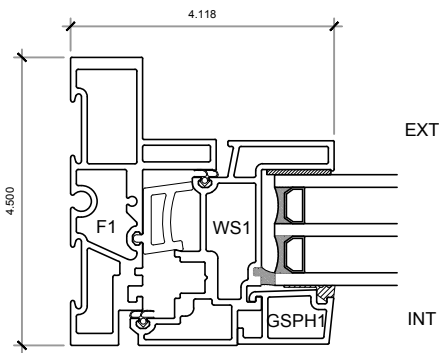
4 COUPLED MULLION



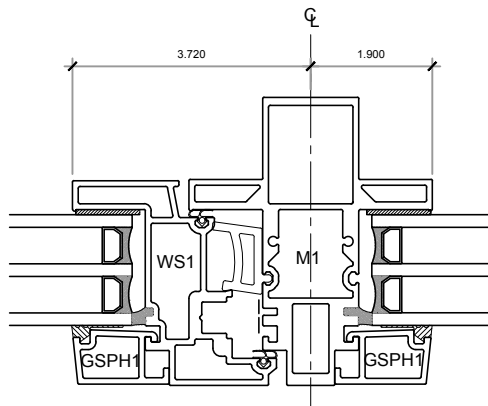
3 FIXED JAMB



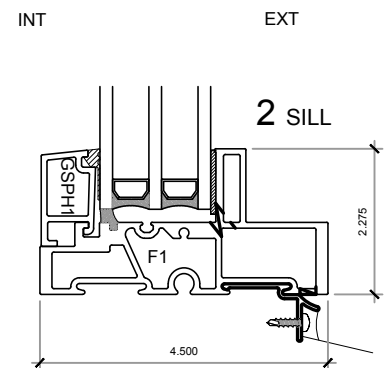
5 MULLION



6 OPERABLE JAMB



5 MULLION



2 SILL

**PATENTED**

**NOTE:** THIS DRAFT DETAIL IS FOR GENERAL ARRANGEMENT PURPOSES ONLY, AND DOES NOT NECESSARILY REPRESENT A DETAIL THAT IS APPROPRIATE FOR A SPECIFIC PROJECT. PRODUCTS AND ACCESSORIES PROVIDED BY CASCADIA MUST BE CONFIRMED FOR SPECIFIC PROJECTS.

CASCADIA WINDOWS LTD.  
#101-5350 275TH STREET  
LANGLEY, BC, CANADA V4W 0C1

DRAWING TITLE: **UNIVERSAL SERIES - INSWING WINDOW**  
PRODUCT DRAWING

DRAWING NO.: **W-2.02**

SCALE: 4" = 1'-0"

PATENTED

DATE: 18 JUNE, 2018

DRAWN BY: CP