

NOTE: THIS DRAFT DETAIL IS FOR GENERAL ARRANGEMENT PURPOSES ONLY, AND DOES NOT NECESSARILY REPRESENT A DETAIL THAT IS APPROPRIATE FOR A SPECIFIC PROJECT. PRODUCTS AND ACCESSORIES PROVIDED BY CASCADIA MUST BE CONFIRMED FOR SPECIFIC PROJECTS.

NOTE: ANCHOR CLIPS AT HEAD AND JAMBS ARE INTERMITTENT

CASCADIA WINDOWS LTD.
 #101-5350 275TH STREET
 LANGLEY, BC, CANADA V4W 0C1

DRAWING TITLE: **UNIVERSAL SERIES - TYPICAL WINDOW HEADS**
RAINSCREEN WALL ASSEMBLY, EXTERIOR INSULATION

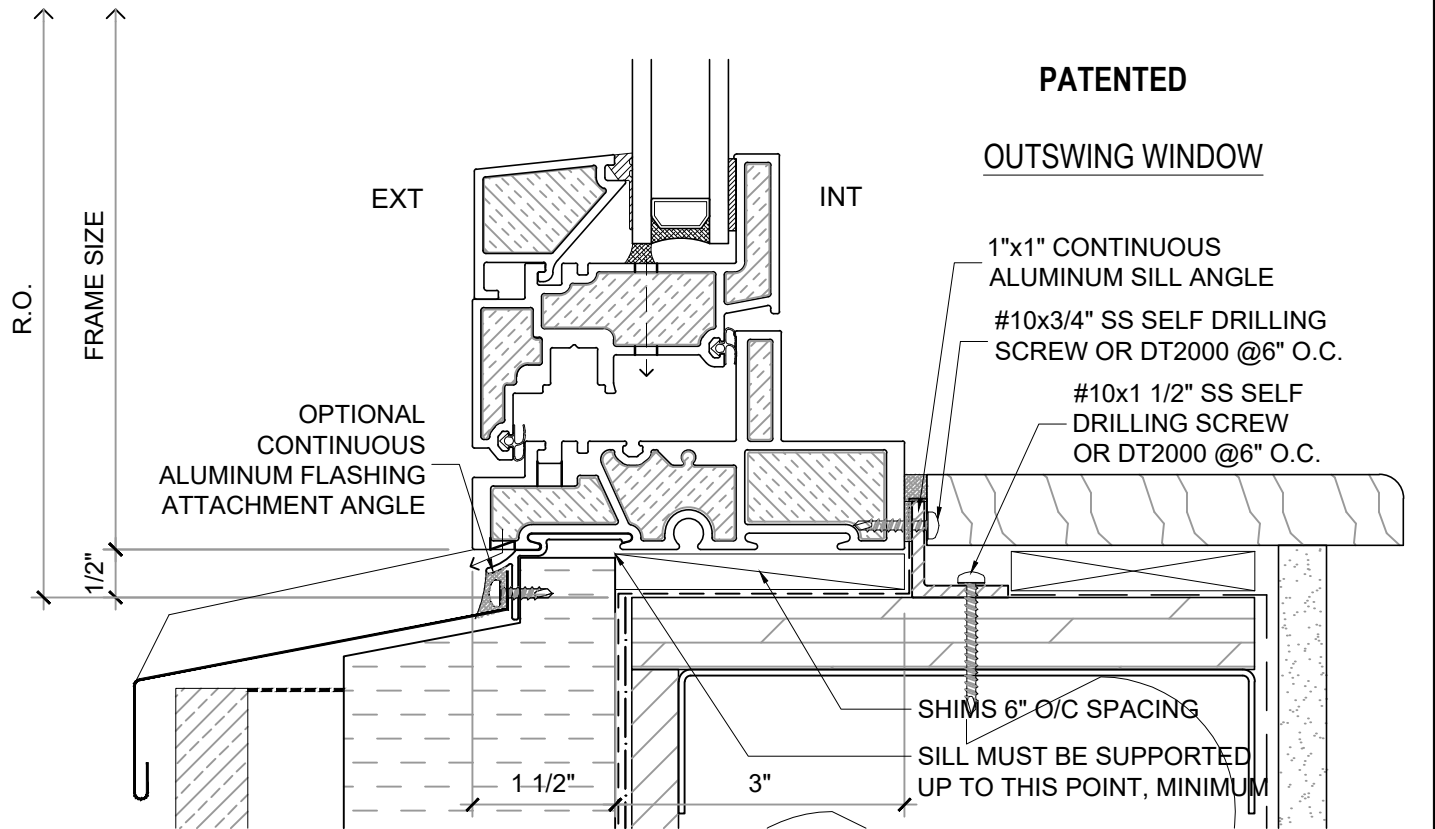
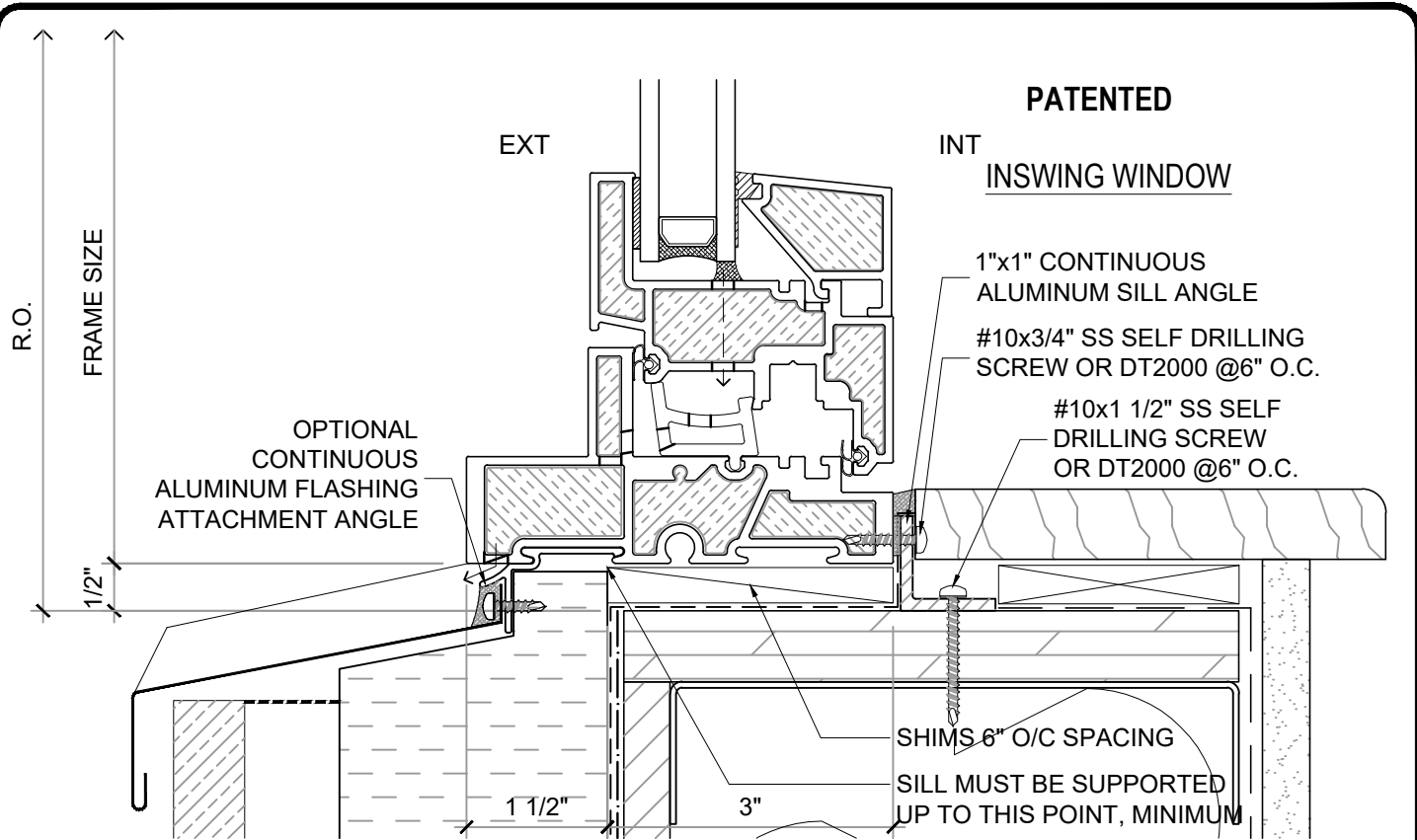
DRAWING NO.:
W-1.01

SCALE: 6" = 1'-0"

PATENTED

DATE: 26 NOVEMBER, 2018

DRAWN BY: CP



NOTE: THIS DRAFT DETAIL IS FOR GENERAL ARRANGEMENT PURPOSES ONLY, AND DOES NOT NECESSARILY REPRESENT A DETAIL THAT IS APPROPRIATE FOR A SPECIFIC PROJECT. PRODUCTS AND ACCESSORIES PROVIDED BY CASCADIA MUST BE CONFIRMED FOR SPECIFIC PROJECTS.

CASCADIA WINDOWS LTD.
 #101-5350 275TH STREET
 LANGLEY, BC, CANADA V4W 0C1

DRAWING TITLE: **UNIVERSAL SERIES - TYPICAL WINDOW SILLS**
 RAINSCREEN WALL ASSEMBLY, EXTERIOR INSULATION

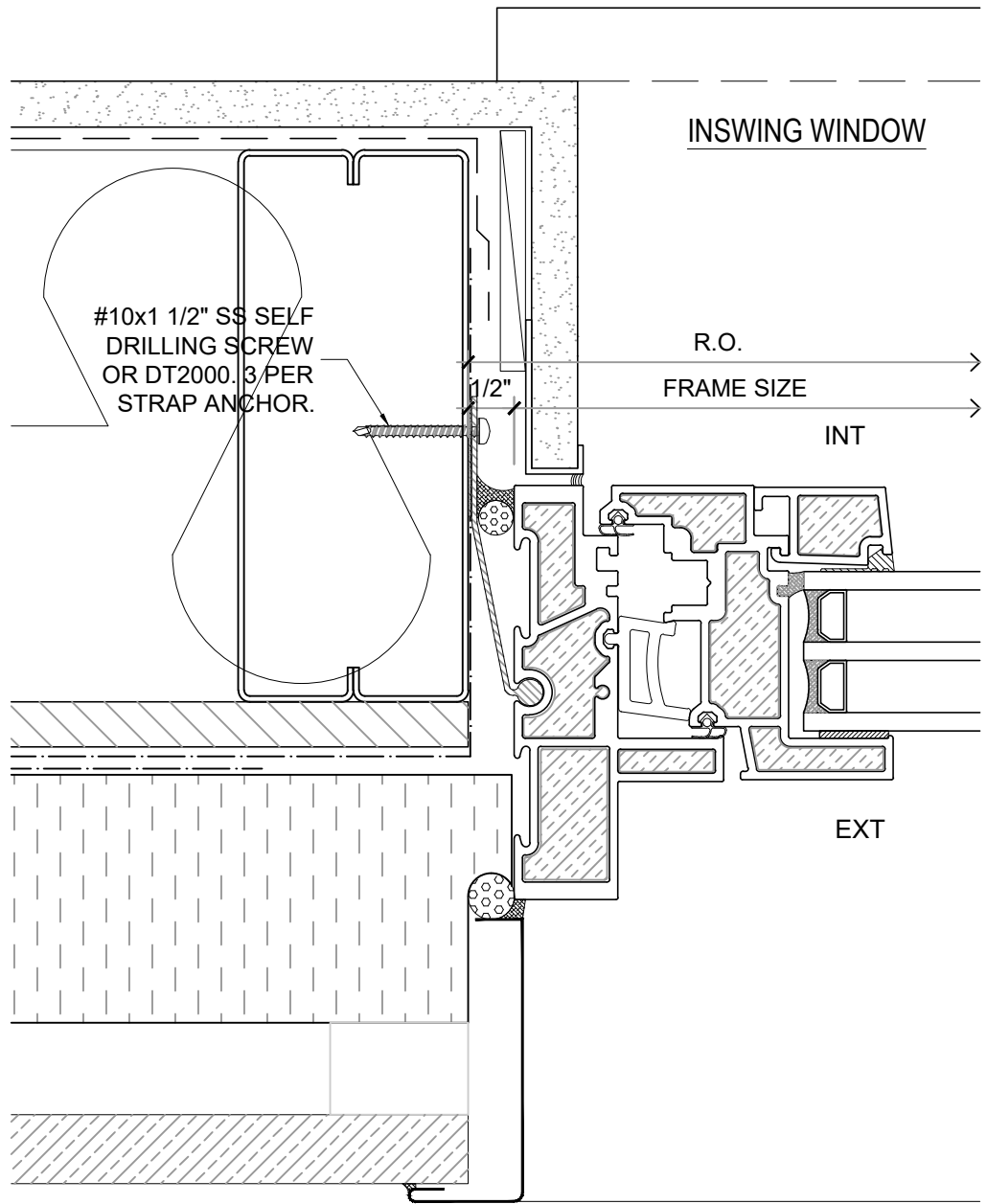
DRAWING NO.: **W-1.02**

SCALE: 6" = 1'-0"

PATENTED

DATE: 26 NOVEMBER, 2018

DRAWN BY: CP

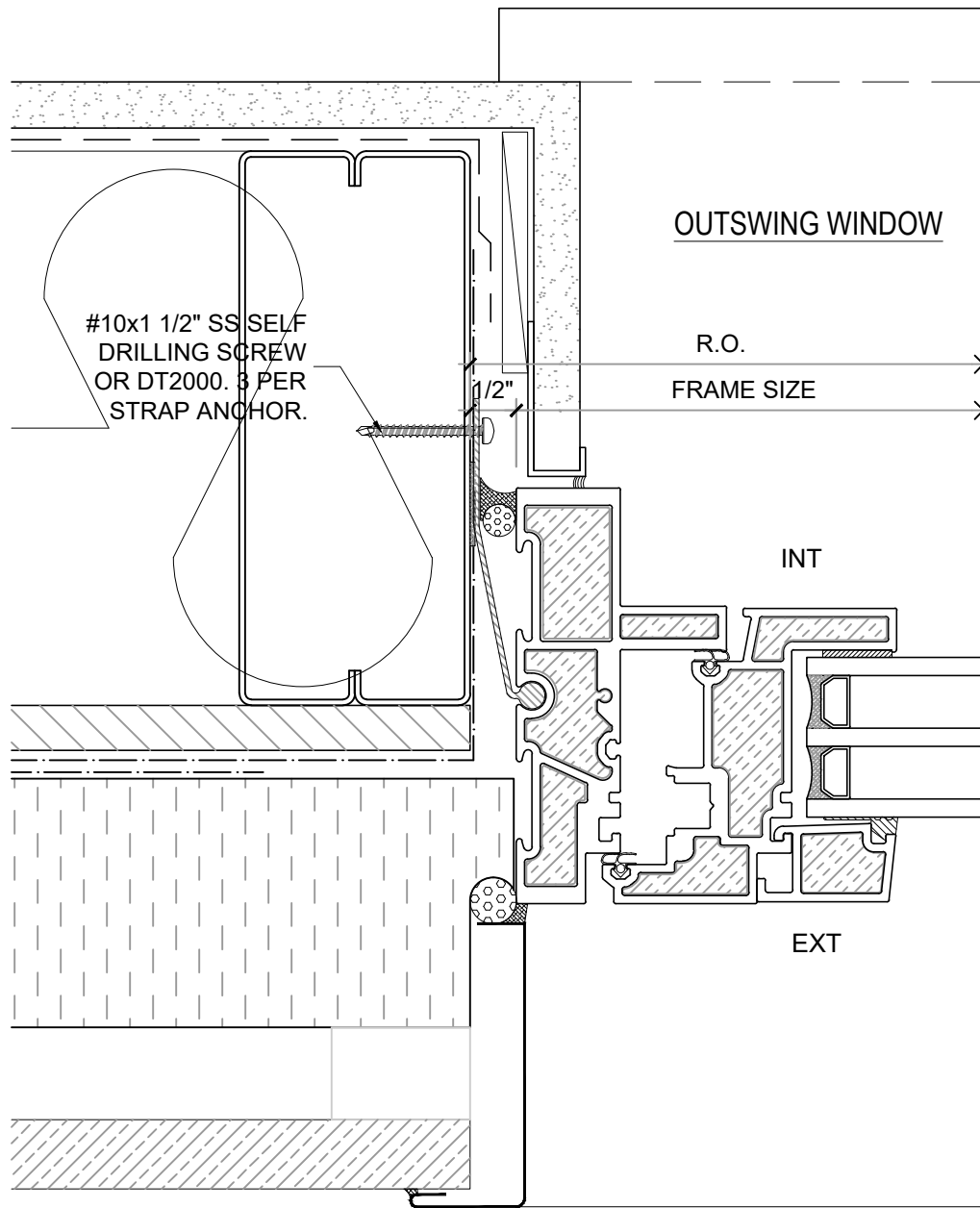


PATENTED

NOTE: THIS DRAFT DETAIL IS FOR GENERAL ARRANGEMENT PURPOSES ONLY, AND DOES NOT NECESSARILY REPRESENT A DETAIL THAT IS APPROPRIATE FOR A SPECIFIC PROJECT. PRODUCTS AND ACCESSORIES PROVIDED BY CASCADIA MUST BE CONFIRMED FOR SPECIFIC PROJECTS.

NOTE: ANCHOR CLIPS AT HEAD AND JAMBS ARE INTERMITTENT

CASCADIA WINDOWS LTD. #101-5350 275TH STREET LANGLEY, BC, CANADA V4W 0C1	DRAWING TITLE: UNIVERSAL SERIES - TYPICAL WINDOW JAMB RAINSCREEN WALL ASSEMBLY, EXTERIOR INSULATION		DRAWING NO.: W-1.03
	SCALE: 6" = 1'-0"	PATENTED	DATE: 26 NOVEMBER, 2018



PATENTED

NOTE: THIS DRAFT DETAIL IS FOR GENERAL ARRANGEMENT PURPOSES ONLY, AND DOES NOT NECESSARILY REPRESENT A DETAIL THAT IS APPROPRIATE FOR A SPECIFIC PROJECT. PRODUCTS AND ACCESSORIES PROVIDED BY CASCADIA MUST BE CONFIRMED FOR SPECIFIC PROJECTS.

NOTE: ANCHOR CLIPS AT HEAD AND JAMBS ARE INTERMITTENT

CASCADIA WINDOWS LTD.
 #101-5350 275TH STREET
 LANGLEY, BC, CANADA V4W 0C1

DRAWING TITLE: **UNIVERSAL SERIES - TYPICAL WINDOW JAMB**
RAINSCREEN WALL ASSEMBLY, EXTERIOR INSULATION

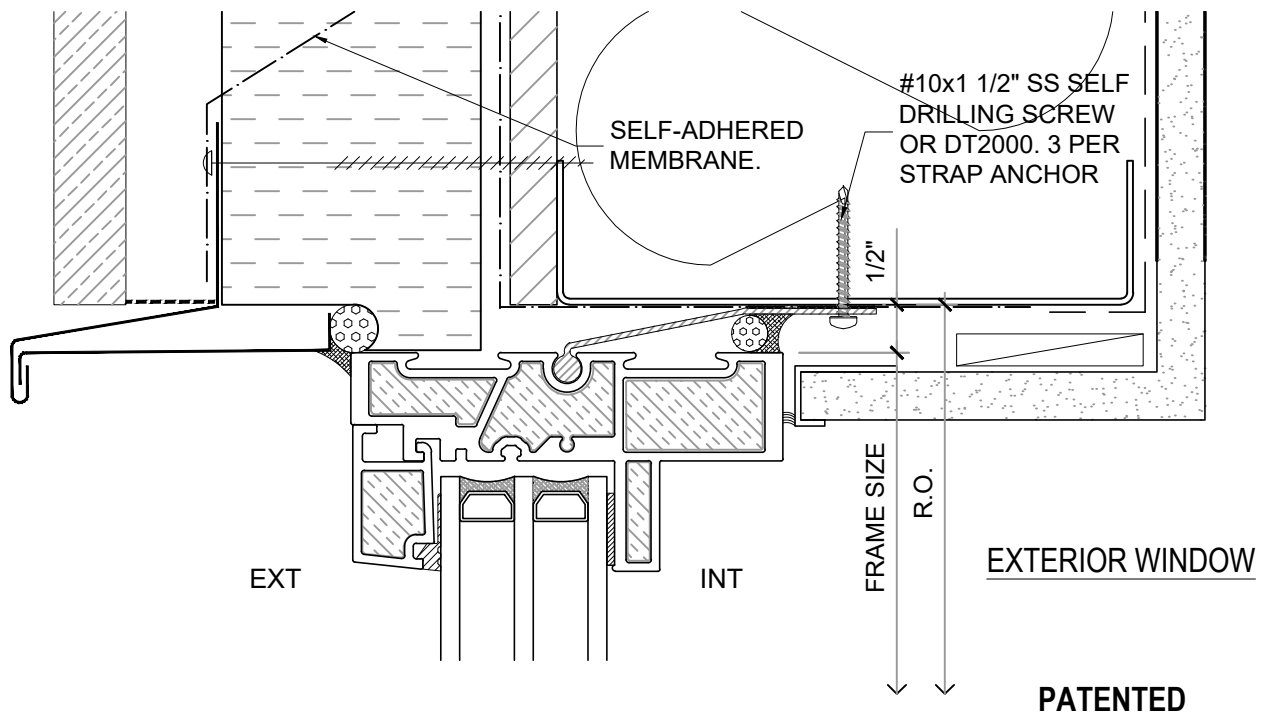
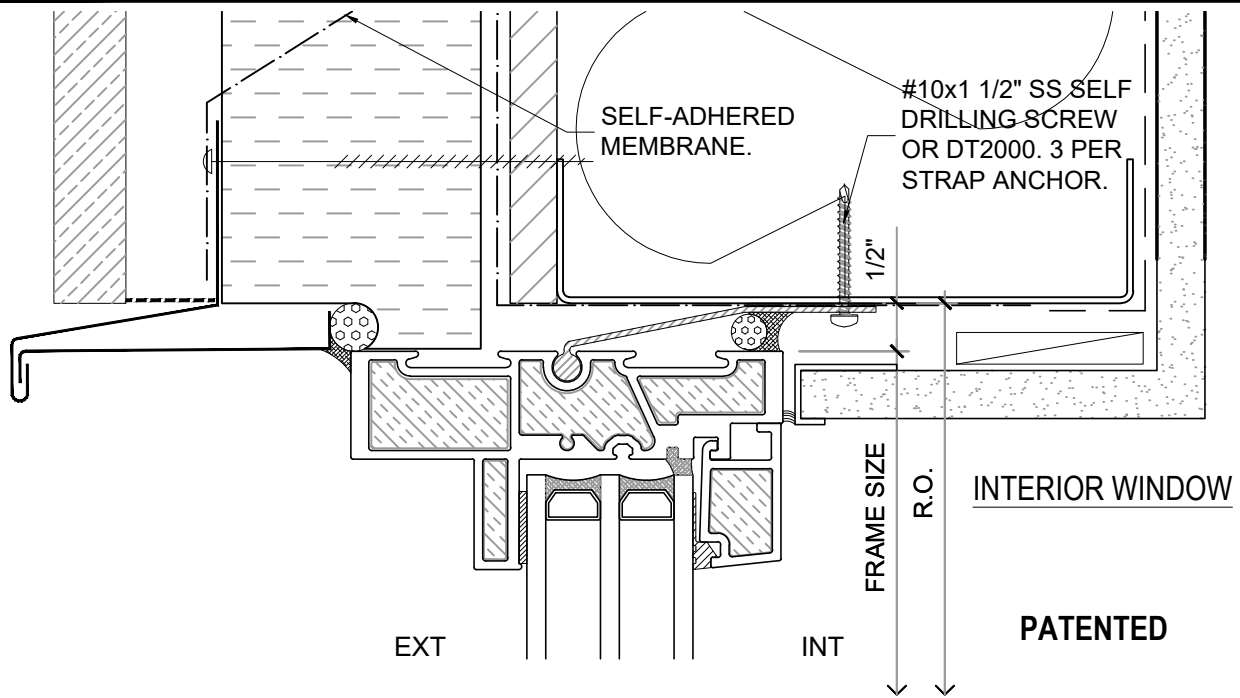
DRAWING NO.: **W-1.04**

SCALE: 6" = 1'-0"

PATENTED

DATE: 26 NOVEMBER, 2018

DRAWN BY: CP



NOTE: "INTERIOR" & "EXTERIOR" REFERS TO THE WINDOW BEING INTERIOR OR EXTERIOR GLAZED

NOTE: THIS DRAFT DETAIL IS FOR GENERAL ARRANGEMENT PURPOSES ONLY, AND DOES NOT NECESSARILY REPRESENT A DETAIL THAT IS APPROPRIATE FOR A SPECIFIC PROJECT. PRODUCTS AND ACCESSORIES PROVIDED BY CASCADIA MUST BE CONFIRMED FOR SPECIFIC PROJECTS.

NOTE: ANCHOR CLIPS AT HEAD AND JAMBS ARE INTERMITTENT

CASCADIA WINDOWS LTD.
 #101-5350 275TH STREET
 LANGLEY, BC, CANADA V4W 0C1

DRAWING TITLE: **UNIVERSAL SERIES - TYPICAL WINDOW HEADS**
RAINSREEN WALL ASSEMBLY, EXTERIOR INSULATION

DRAWING NO.:
W-1.05

SCALE: 6" = 1'-0"

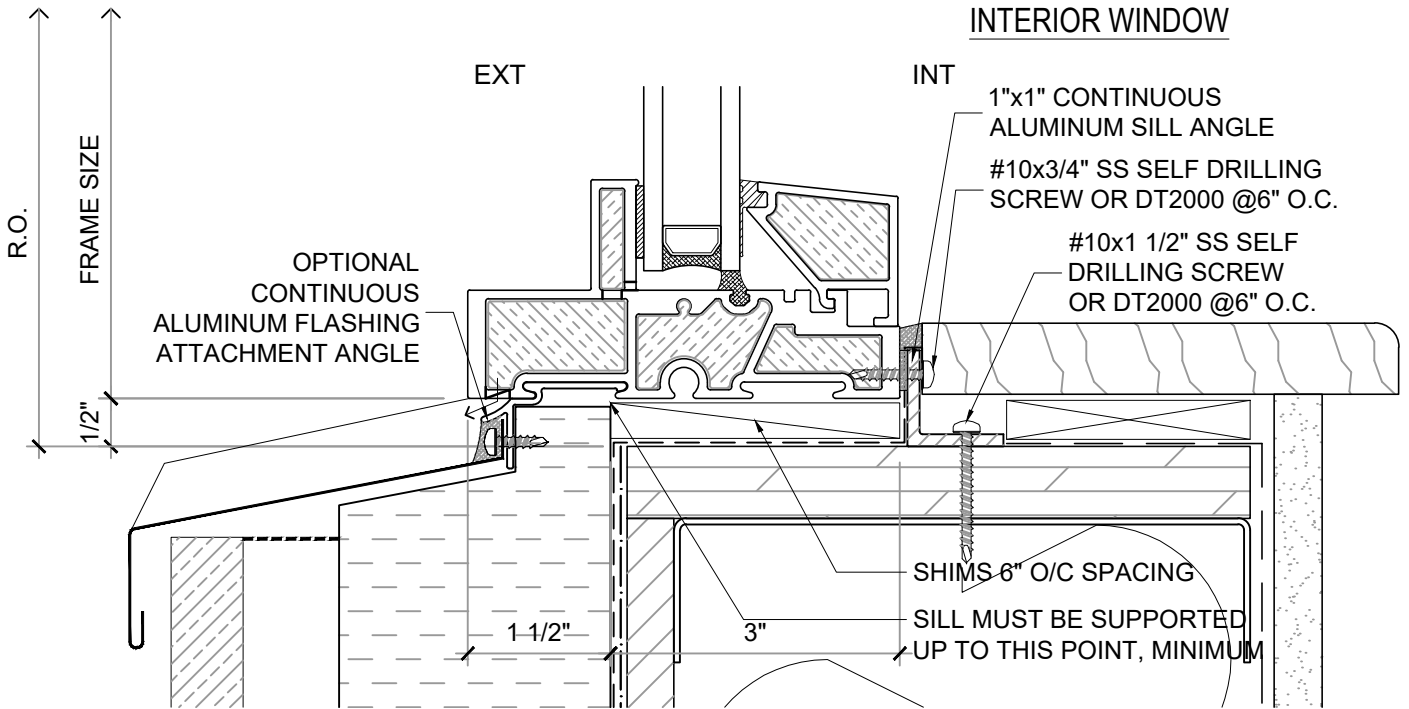
PATENTED

DATE: 26 NOVEMBER, 2018

DRAWN BY: CP

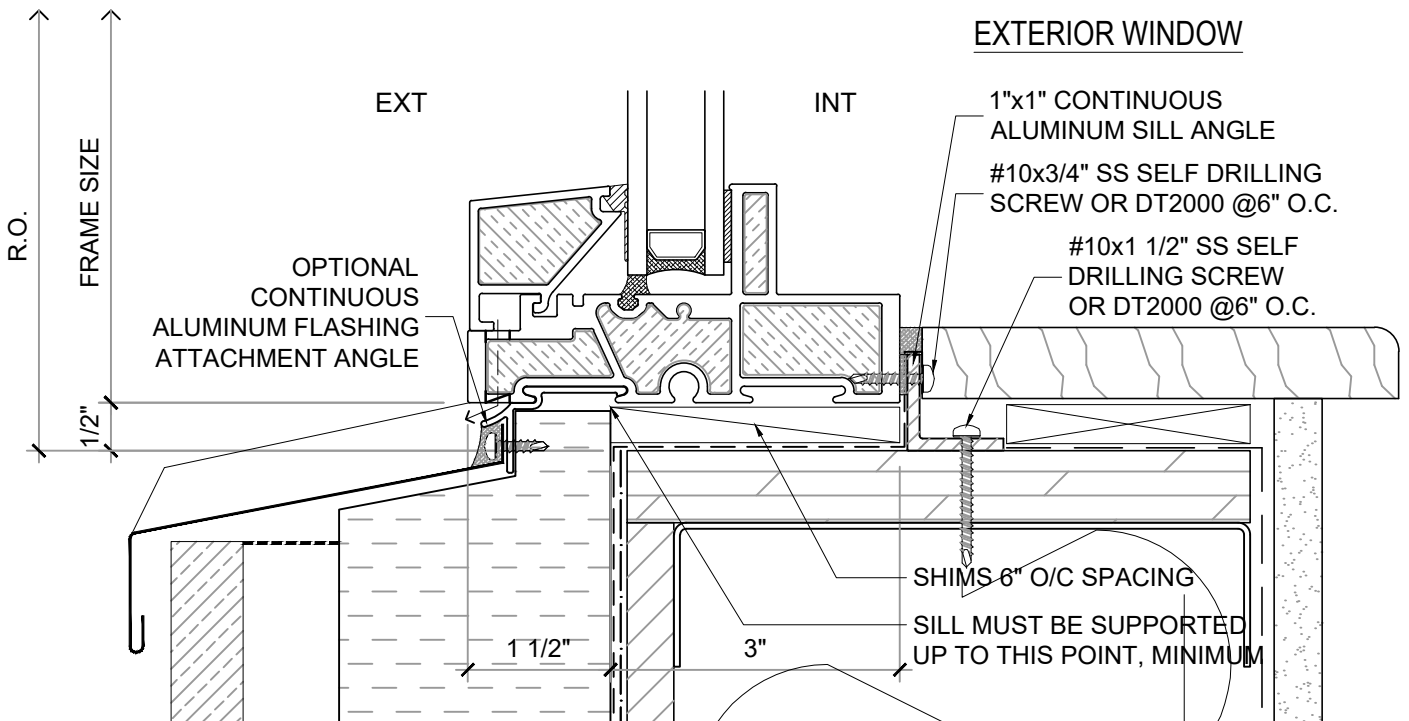
PATENTED

INTERIOR WINDOW



PATENTED

EXTERIOR WINDOW



NOTE: "INTERIOR" & "EXTERIOR" REFERS TO THE WINDOW BEING INTERIOR OR EXTERIOR GLAZED

NOTE: THIS DRAFT DETAIL IS FOR GENERAL ARRANGEMENT PURPOSES ONLY, AND DOES NOT NECESSARILY REPRESENT A DETAIL THAT IS APPROPRIATE FOR A SPECIFIC PROJECT. PRODUCTS AND ACCESSORIES PROVIDED BY CASCADIA MUST BE CONFIRMED FOR SPECIFIC PROJECTS.

CASCADIA WINDOWS LTD.
#101-5350 275TH STREET
LANGLEY, BC, CANADA V4W 0C1

DRAWING TITLE: **UNIVERSAL SERIES - TYPICAL WINDOW SILLS**
RAINSREEN WALL ASSEMBLY, EXTERIOR INSULATION

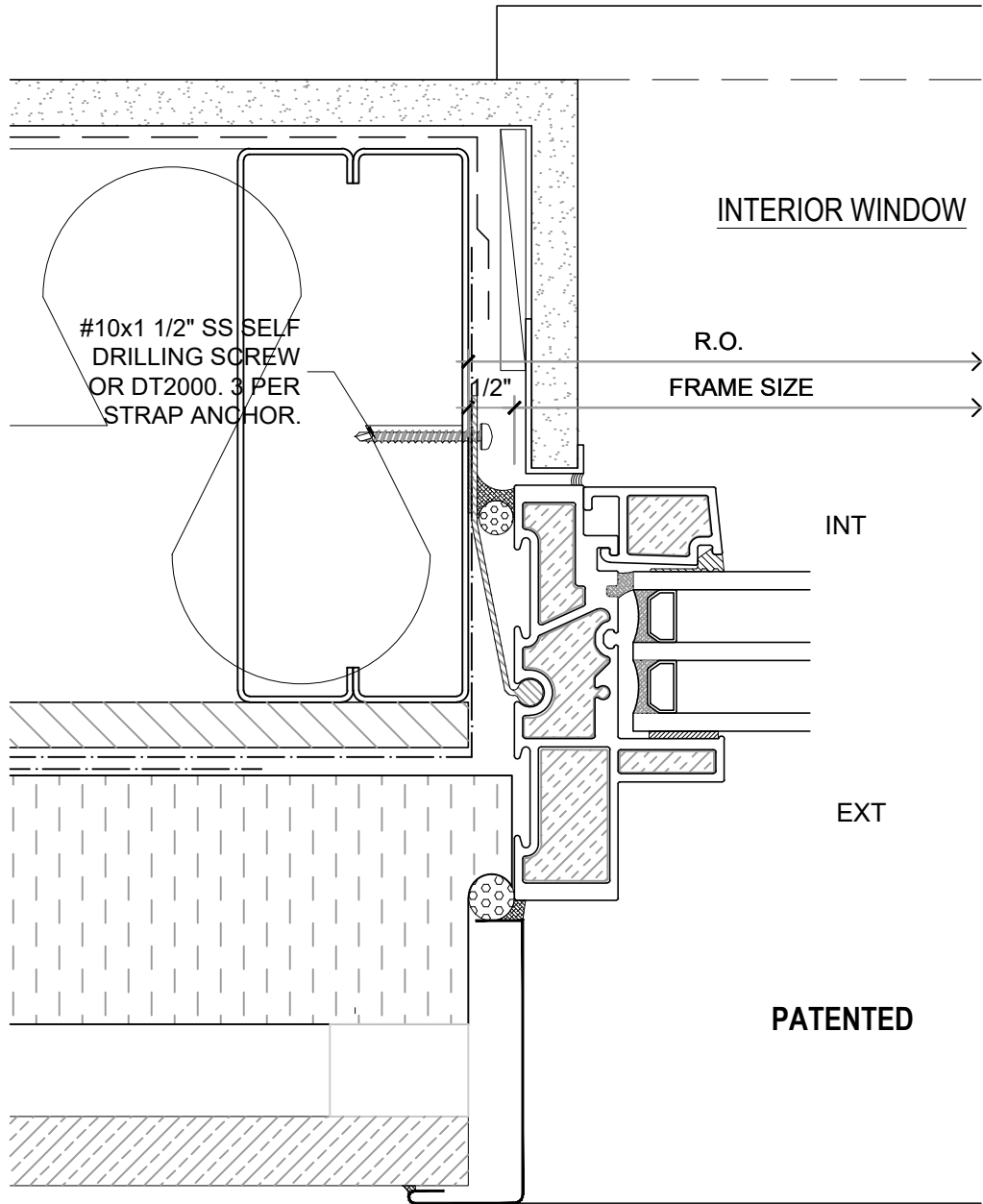
DRAWING NO.: **W-1.06**

SCALE: 6" = 1'-0"

PATENTED

DATE: 26 NOVEMBER, 2018

DRAWN BY: CP



NOTE: "INTERIOR" & "EXTERIOR"
 REFERS TO THE WINDOW BEING
 INTERIOR OR EXTERIOR GLAZED

NOTE: THIS DRAFT DETAIL IS FOR GENERAL ARRANGEMENT PURPOSES ONLY, AND DOES NOT
 NECESSARILY REPRESENT A DETAIL THAT IS APPROPRIATE FOR A SPECIFIC PROJECT. PRODUCTS AND
 ACCESSORIES PROVIDED BY CASCADIA MUST BE CONFIRMED FOR SPECIFIC PROJECTS.

NOTE: ANCHOR CLIPS AT HEAD AND
 JAMBS ARE INTERMITTENT

CASCADIA WINDOWS LTD.
 #101-5350 275TH STREET
 LANGLEY, BC, CANADA V4W 0C1

DRAWING TITLE: **UNIVERSAL SERIES - TYPICAL WINDOW JAMB**
RAINSCREEN WALL ASSEMBLY, EXTERIOR INSULATION

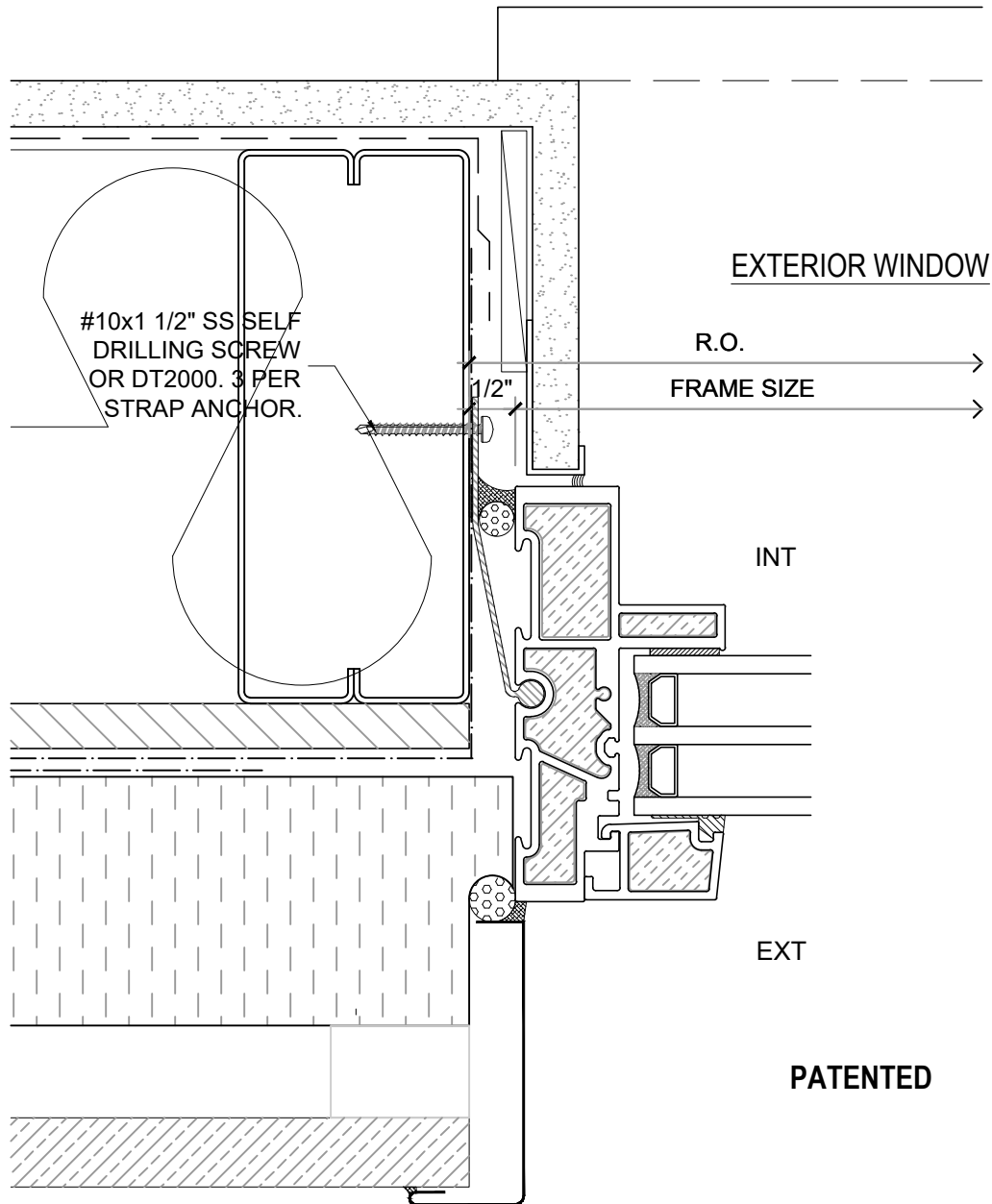
DRAWING NO.:
W-1.07

SCALE: 6" = 1'-0"

PATENTED

DATE: 26 NOVEMBER, 2018

DRAWN BY: CP



NOTE: "INTERIOR" & "EXTERIOR" REFERS TO THE WINDOW BEING INTERIOR OR EXTERIOR GLAZED

NOTE: THIS DRAFT DETAIL IS FOR GENERAL ARRANGEMENT PURPOSES ONLY, AND DOES NOT NECESSARILY REPRESENT A DETAIL THAT IS APPROPRIATE FOR A SPECIFIC PROJECT. PRODUCTS AND ACCESSORIES PROVIDED BY CASCADIA MUST BE CONFIRMED FOR SPECIFIC PROJECTS.

NOTE: ANCHOR CLIPS AT HEAD AND JAMBS ARE INTERMITTENT

CASCADIA WINDOWS LTD.
 #101-5350 275TH STREET
 LANGLEY, BC, CANADA V4W 0C1

DRAWING TITLE: UNIVERSAL SERIES - TYPICAL WINDOW JAMB
 RAINSCREEN WALL ASSEMBLY, EXTERIOR INSULATION

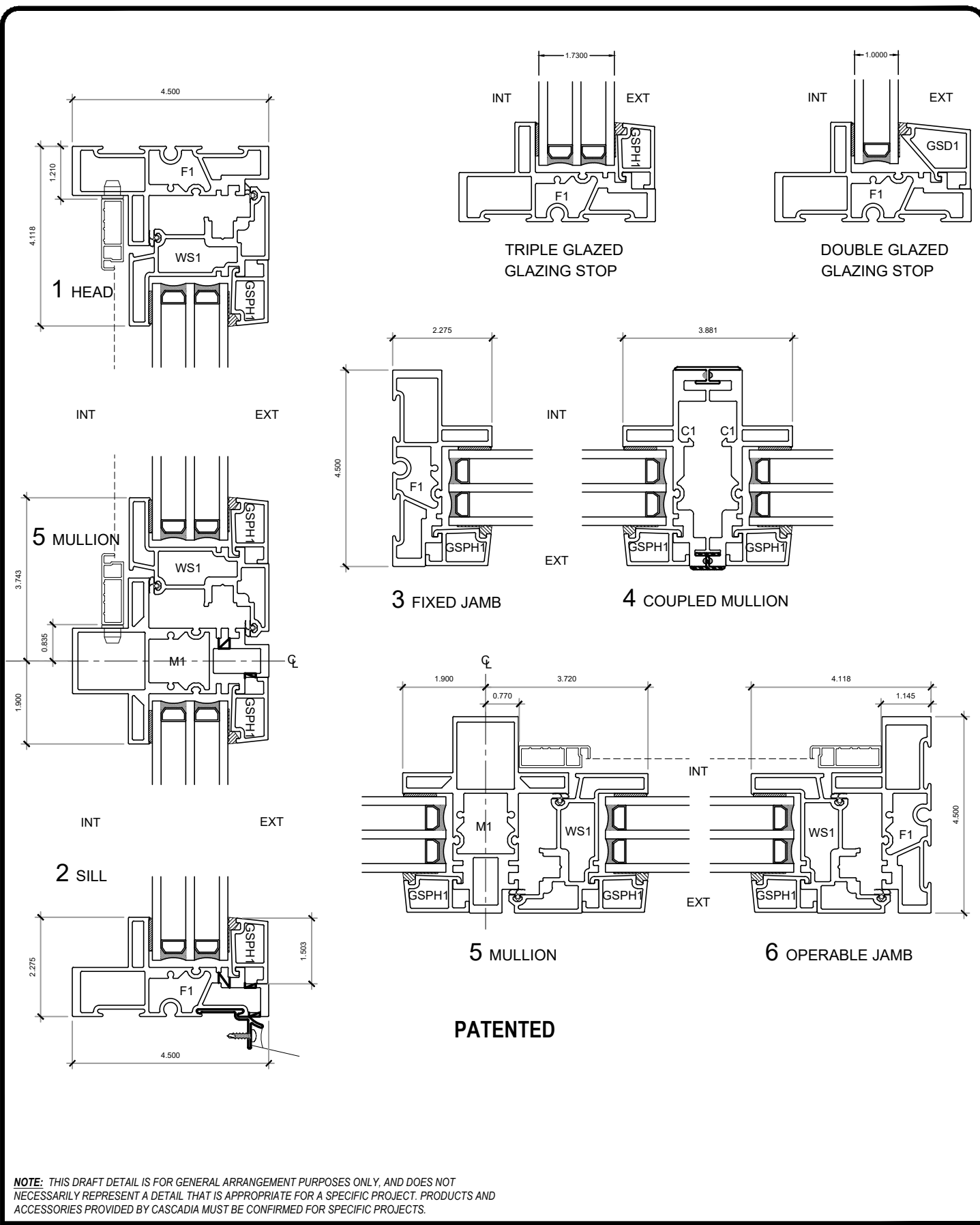
DRAWING NO.:
 W-1.08

SCALE: 6" = 1'-0"

PATENTED

DATE: 26 NOVEMBER, 2018

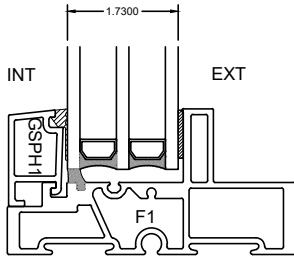
DRAWN BY: CP



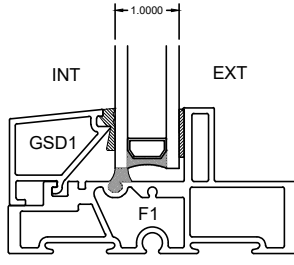
PATENTED

NOTE: THIS DRAFT DETAIL IS FOR GENERAL ARRANGEMENT PURPOSES ONLY, AND DOES NOT NECESSARILY REPRESENT A DETAIL THAT IS APPROPRIATE FOR A SPECIFIC PROJECT. PRODUCTS AND ACCESSORIES PROVIDED BY CASCADIA MUST BE CONFIRMED FOR SPECIFIC PROJECTS.

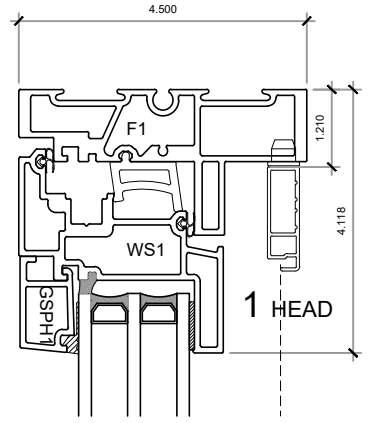
CASCADIA WINDOWS LTD. #101-5350 275TH STREET LANGLEY, BC, CANADA V4W 0C1	DRAWING TITLE: UNIVERSAL SERIES - OUTSWING WINDOW PRODUCT DRAWING		DRAWING NO.: W-2.01
	SCALE: 4" = 1'-0"	PATENTED	DATE: 26 NOVEMBER, 2018



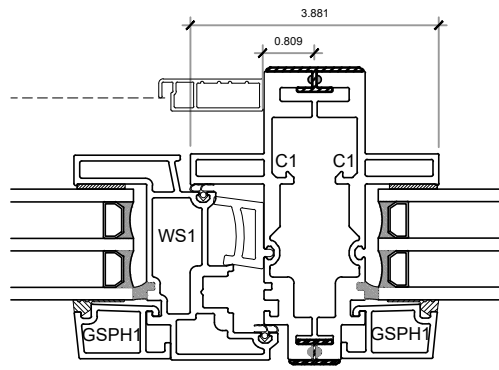
TRIPLE GLAZED
GLAZING STOP



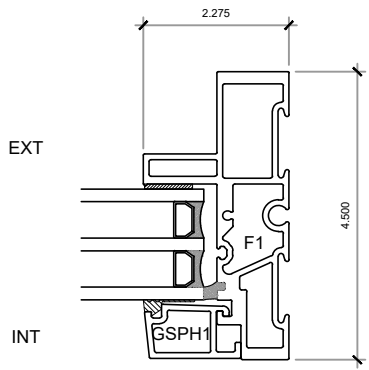
DOUBLE GLAZED
GLAZING STOP



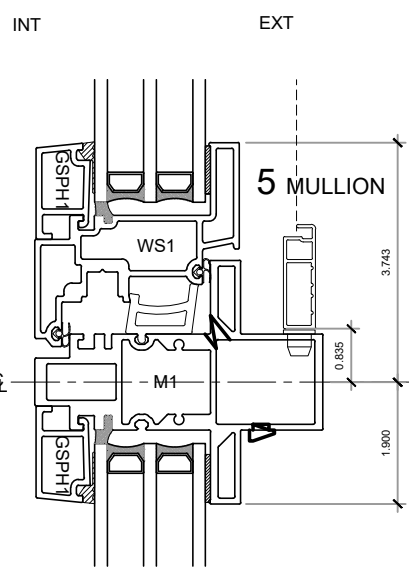
1 HEAD



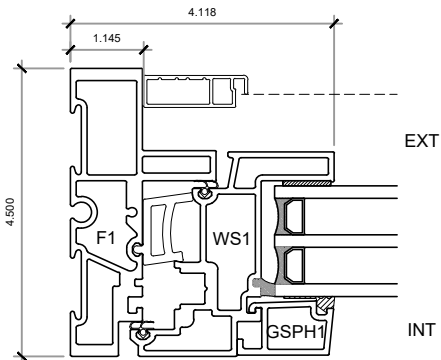
4 COUPLED MULLION



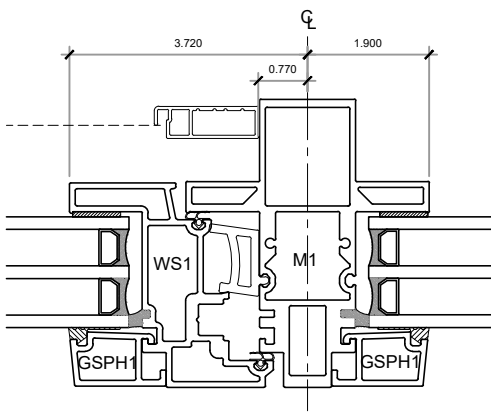
3 FIXED JAMB



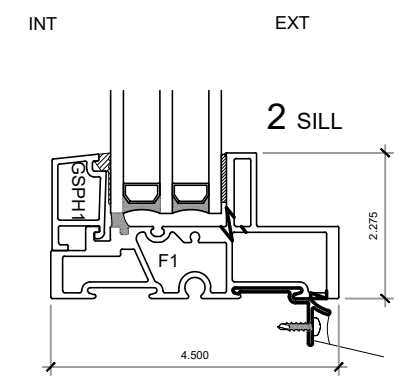
5 MULLION



6 OPERABLE JAMB



5 MULLION



2 SILL

PATENTED

NOTE: THIS DRAFT DETAIL IS FOR GENERAL ARRANGEMENT PURPOSES ONLY, AND DOES NOT NECESSARILY REPRESENT A DETAIL THAT IS APPROPRIATE FOR A SPECIFIC PROJECT. PRODUCTS AND ACCESSORIES PROVIDED BY CASCADIA MUST BE CONFIRMED FOR SPECIFIC PROJECTS.

CASCADIA WINDOWS LTD.
#101-5350 275TH STREET
LANGLEY, BC, CANADA V4W 0C1

DRAWING TITLE: **UNIVERSAL SERIES - INSWING WINDOW**
PRODUCT DRAWING

DRAWING NO.: **W-2.02**

SCALE: 4" = 1'-0"

PATENTED

DATE: 26 NOVEMBER, 2018

DRAWN BY: CP