

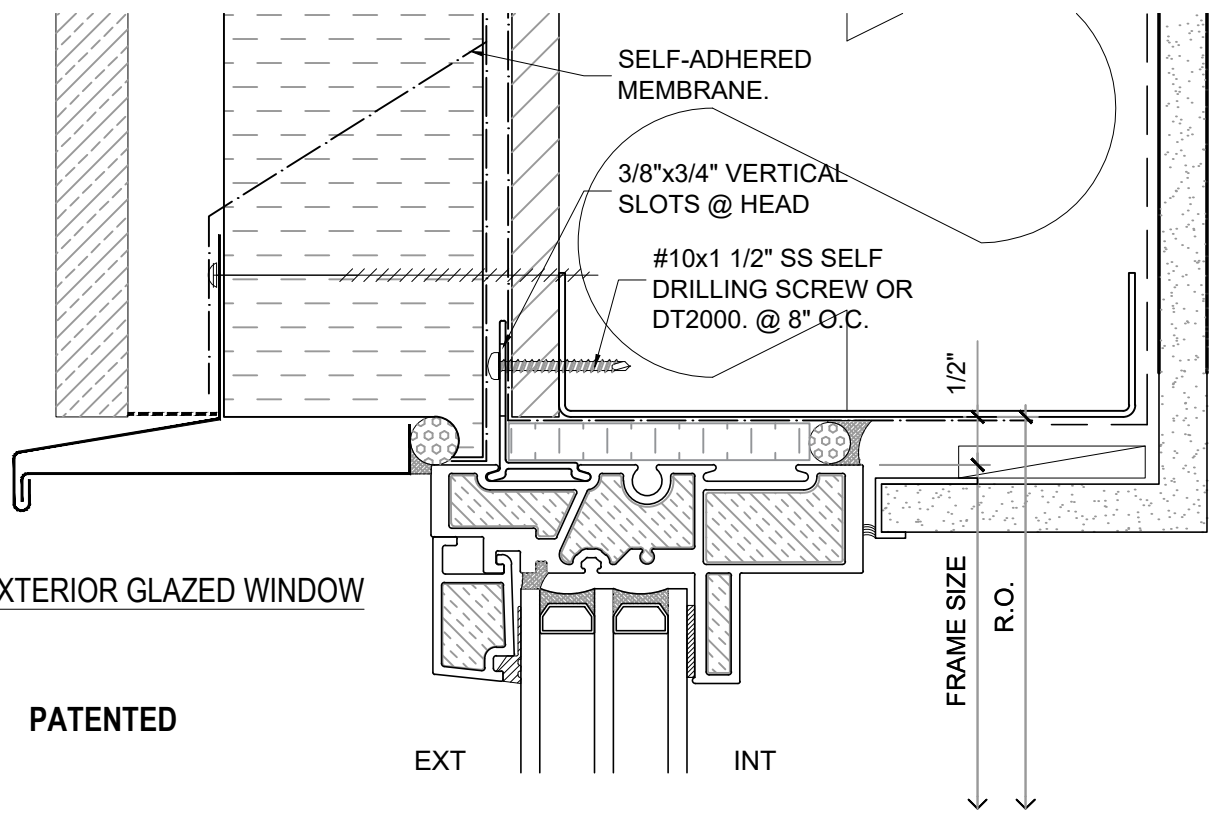
INTERIOR GLAZED WINDOW

PATENTED

EXT

INT

1/2"
FRAME SIZE
R.O.



EXTERIOR GLAZED WINDOW

PATENTED

EXT

INT

1/2"
FRAME SIZE
R.O.

NOTE: THIS DRAFT DETAIL IS FOR GENERAL ARRANGEMENT PURPOSES ONLY, AND DOES NOT NECESSARILY REPRESENT A DETAIL THAT IS APPROPRIATE FOR A SPECIFIC PROJECT. PRODUCTS AND ACCESSORIES PROVIDED BY CASCADIA MUST BE CONFIRMED FOR SPECIFIC PROJECTS.

NOTE: NAIL FLANGE IS CONTINUOUS

CASCADIA WINDOWS LTD.
#101-5350 275TH STREET
LANGLEY, BC, CANADA V4W 0C1

DRAWING TITLE: UNIVERSAL SERIES - WINDOW HEADS
STANDARD NAIL FLANGE INSTALLATION (CW-NF1)

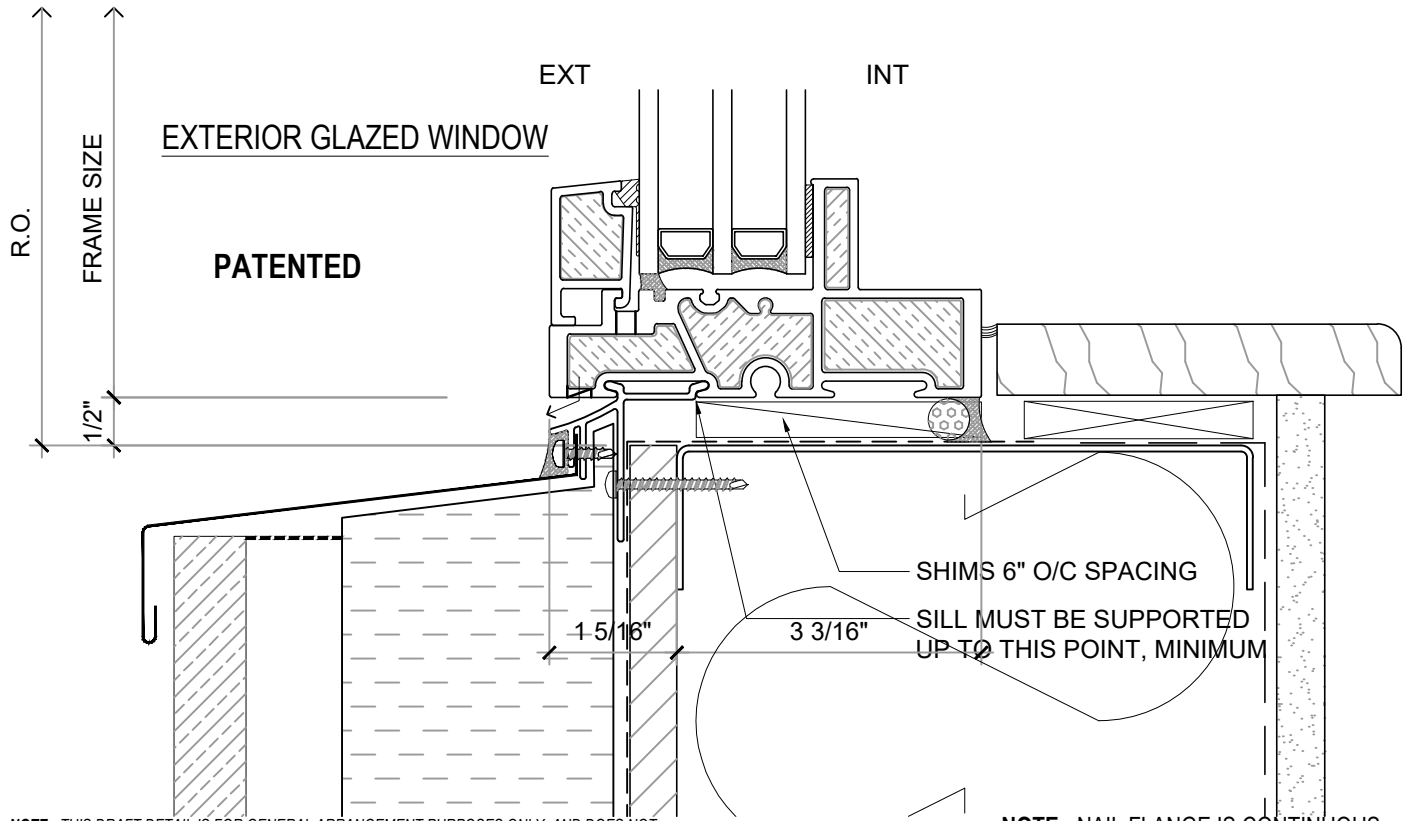
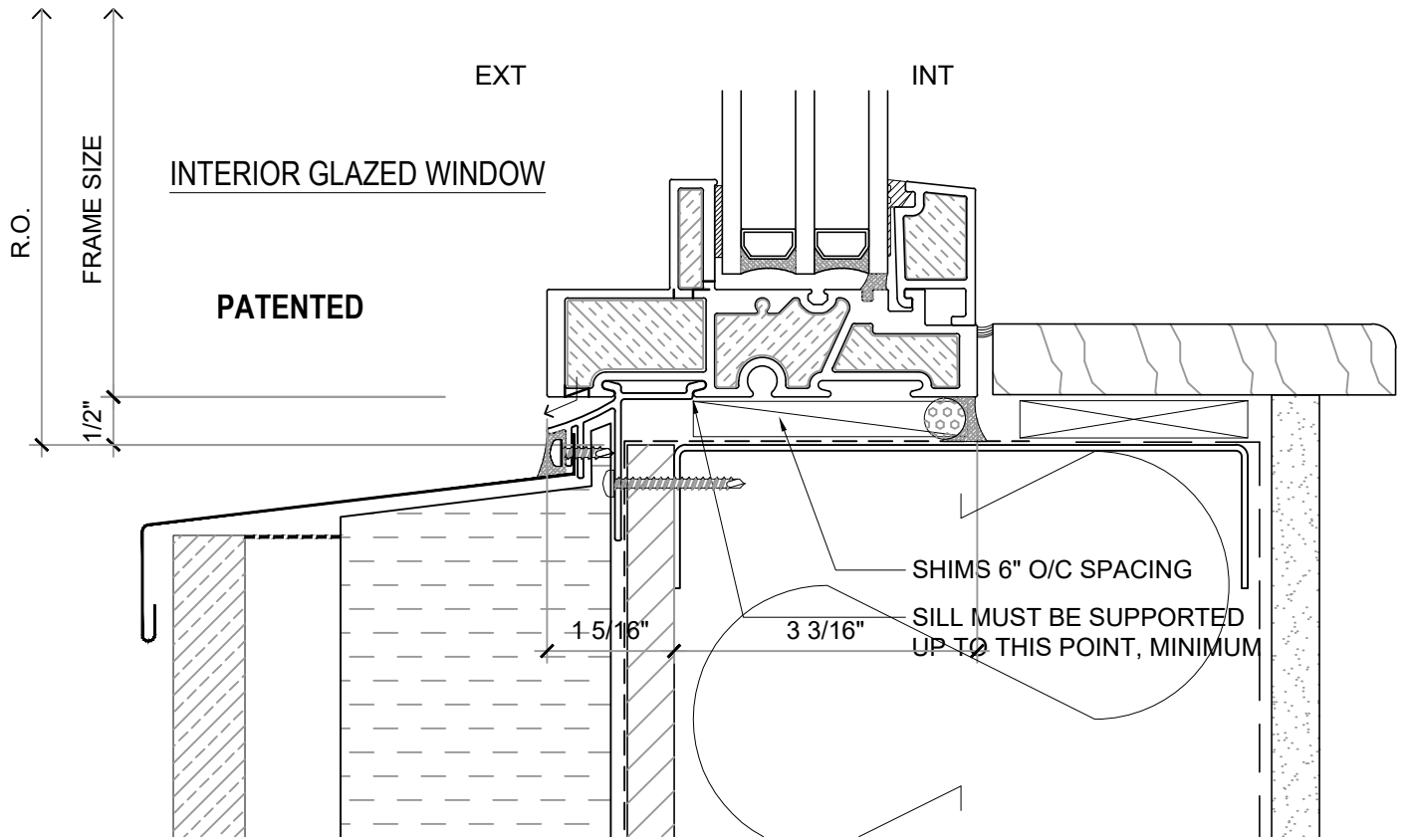
DRAWING NO.: NF-1.01

SCALE: 6" = 1'-0"

PATENTED

DATE: 26 NOVEMBER, 2018

DRAWN BY: CP



NOTE: THIS DRAFT DETAIL IS FOR GENERAL ARRANGEMENT PURPOSES ONLY, AND DOES NOT NECESSARILY REPRESENT A DETAIL THAT IS APPROPRIATE FOR A SPECIFIC PROJECT. PRODUCTS AND ACCESSORIES PROVIDED BY CASCADIA MUST BE CONFIRMED FOR SPECIFIC PROJECTS.

NOTE: NAIL FLANGE IS CONTINUOUS

CASCADIA WINDOWS LTD.
 #101-5350 275TH STREET
 LANGLEY, BC, CANADA V4W 0C1

DRAWING TITLE: **UNIVERSAL SERIES - WINDOW SILLS**
STANDARD NAIL FLANGE INSTALLATION (CW-NF2)

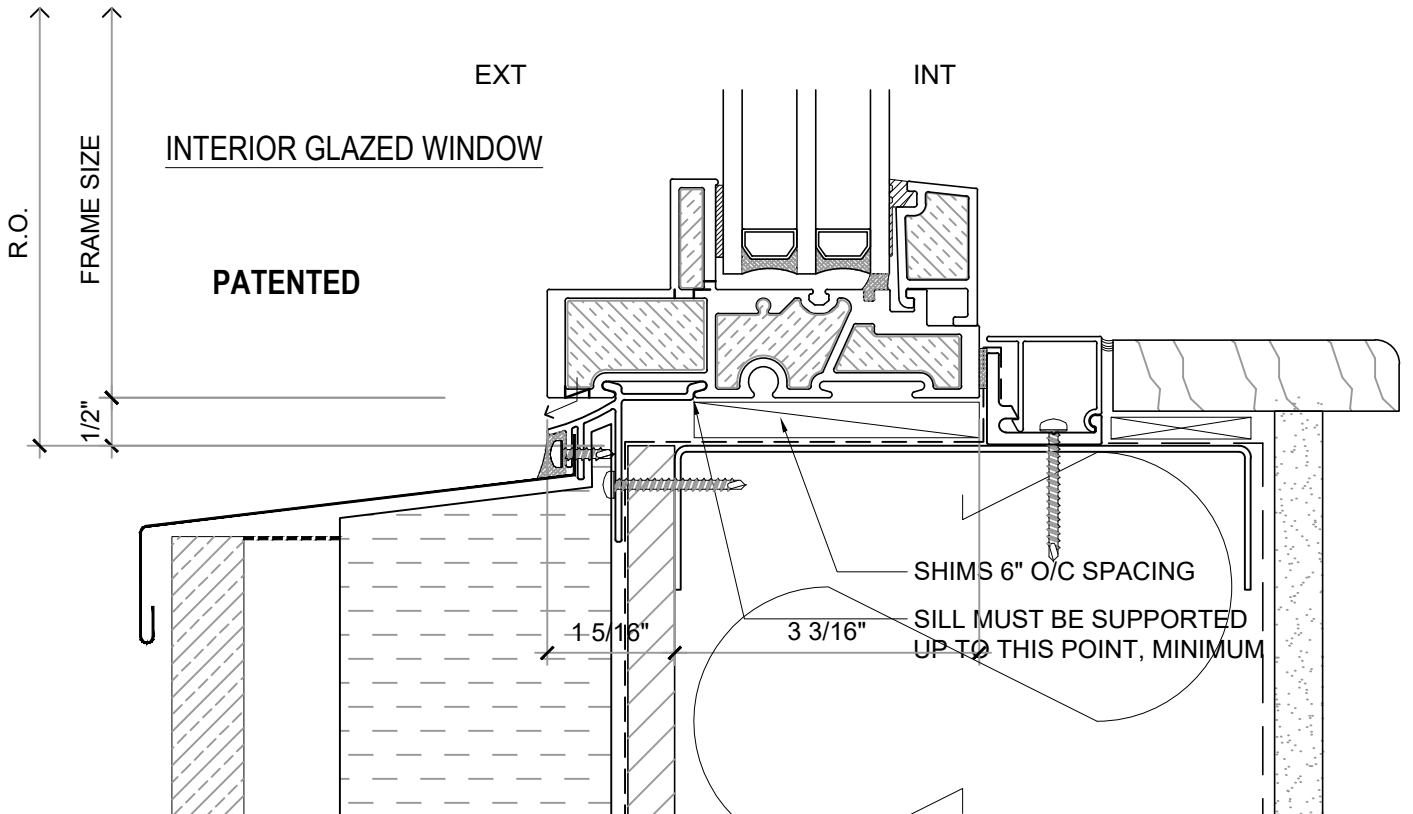
DRAWING NO.: **NF-1.02**

SCALE: 6" = 1'-0"

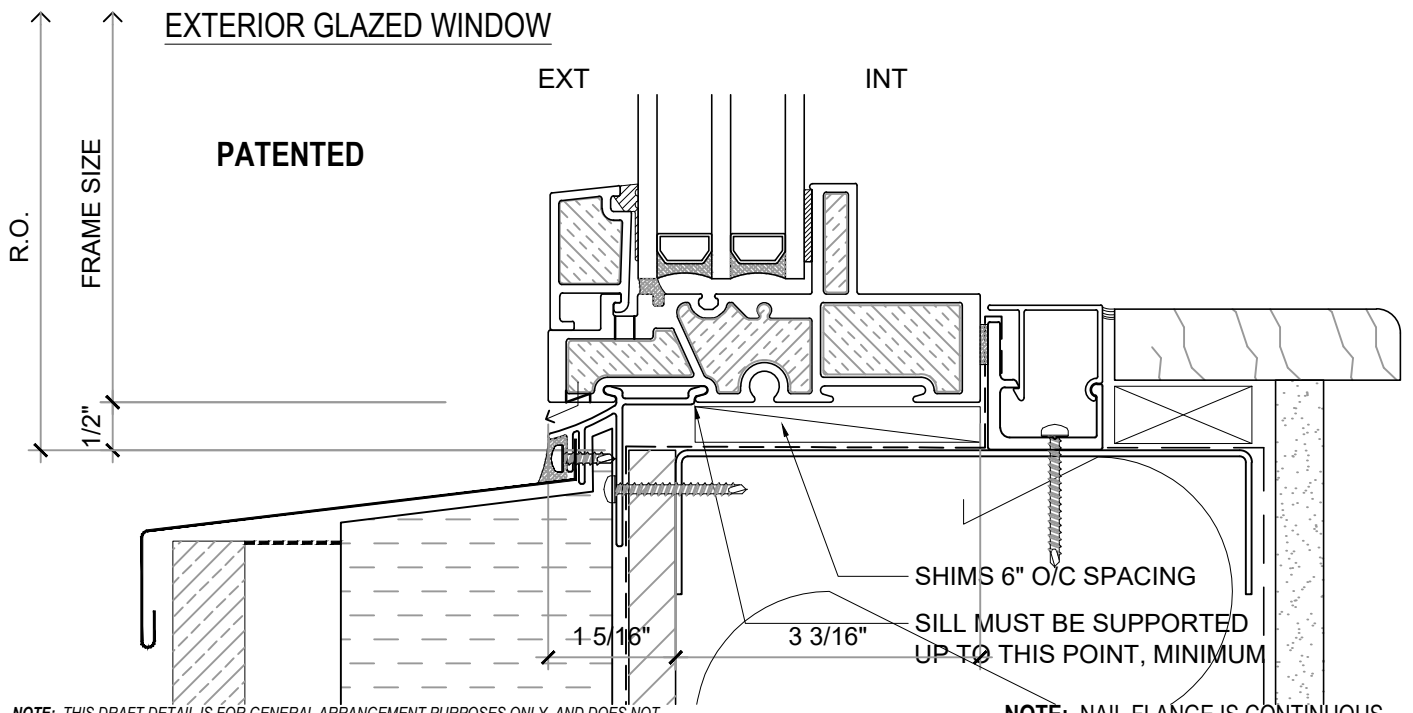
PATENTED

DATE: 26 NOVEMBER, 2018

DRAWN BY: CP



ALTERNATE SILL DETAILS



NOTE: THIS DRAFT DETAIL IS FOR GENERAL ARRANGEMENT PURPOSES ONLY, AND DOES NOT NECESSARILY REPRESENT A DETAIL THAT IS APPROPRIATE FOR A SPECIFIC PROJECT. PRODUCTS AND ACCESSORIES PROVIDED BY CASCADIA MUST BE CONFIRMED FOR SPECIFIC PROJECTS.

NOTE: NAIL FLANGE IS CONTINUOUS

CASCADIA WINDOWS LTD.
 #101-5350 275TH STREET
 LANGLEY, BC, CANADA V4W 0C1

DRAWING TITLE: **UNIVERSAL SERIES - WINDOW SILLS**
STANDARD NAIL FLANGE INSTALLATION (CW-NF2) & SILL ANGLE

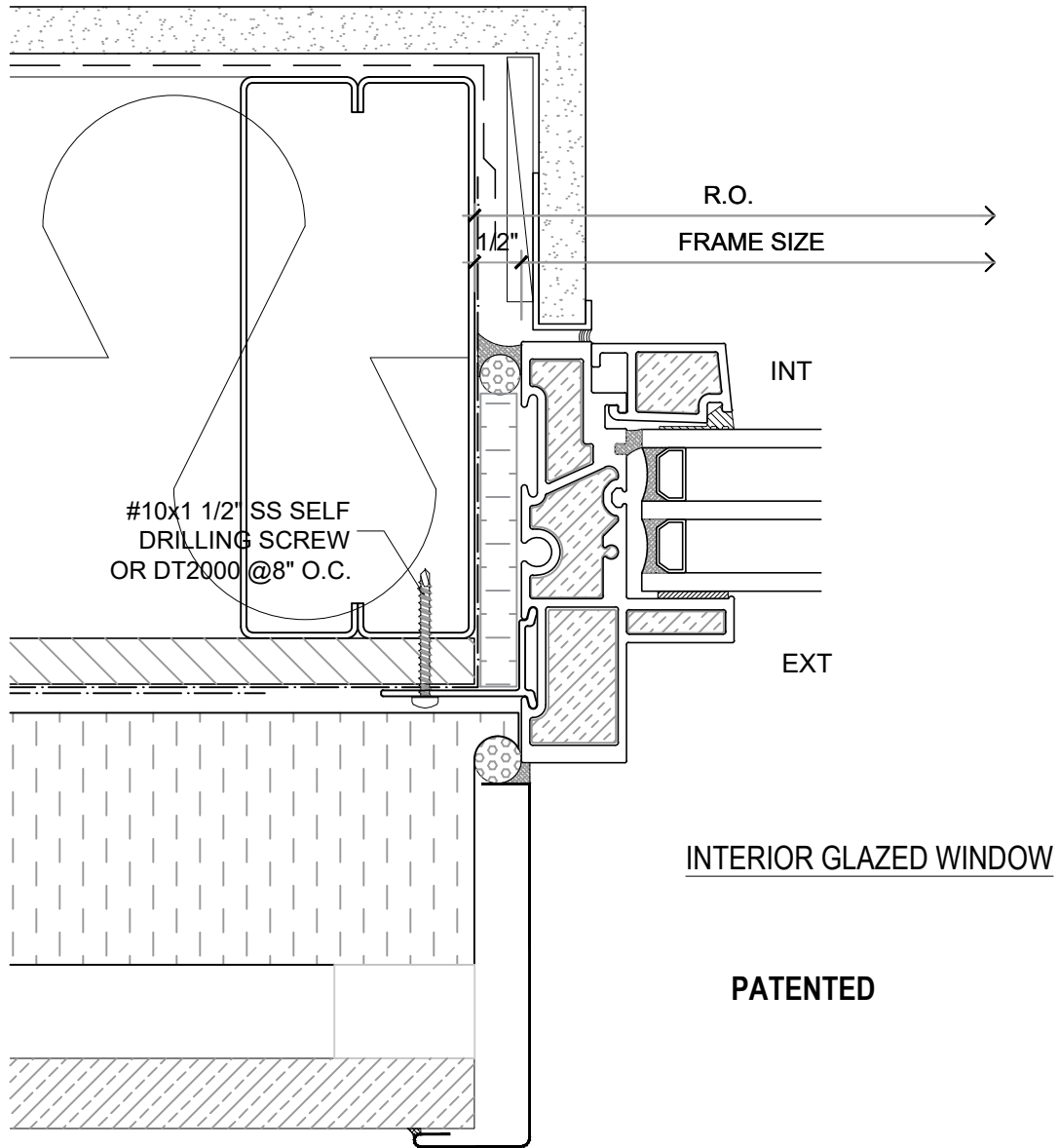
DRAWING NO.: **NF-1.02A**

SCALE: 6" = 1'-0"

PATENTED

DATE: 26 NOVEMBER, 2018

DRAWN BY: CP



NOTE: THIS DRAFT DETAIL IS FOR GENERAL ARRANGEMENT PURPOSES ONLY, AND DOES NOT NECESSARILY REPRESENT A DETAIL THAT IS APPROPRIATE FOR A SPECIFIC PROJECT. PRODUCTS AND ACCESSORIES PROVIDED BY CASCADIA MUST BE CONFIRMED FOR SPECIFIC PROJECTS.

NOTE: NAIL FLANGE IS CONTINUOUS

CASCADIA WINDOWS LTD.
 #101-5350 275TH STREET
 LANGLEY, BC, CANADA V4W 0C1

DRAWING TITLE: UNIVERSAL SERIES - WINDOW JAMB
 STANDARD NAIL FLANGE INSTALLATION (CW-NF1)

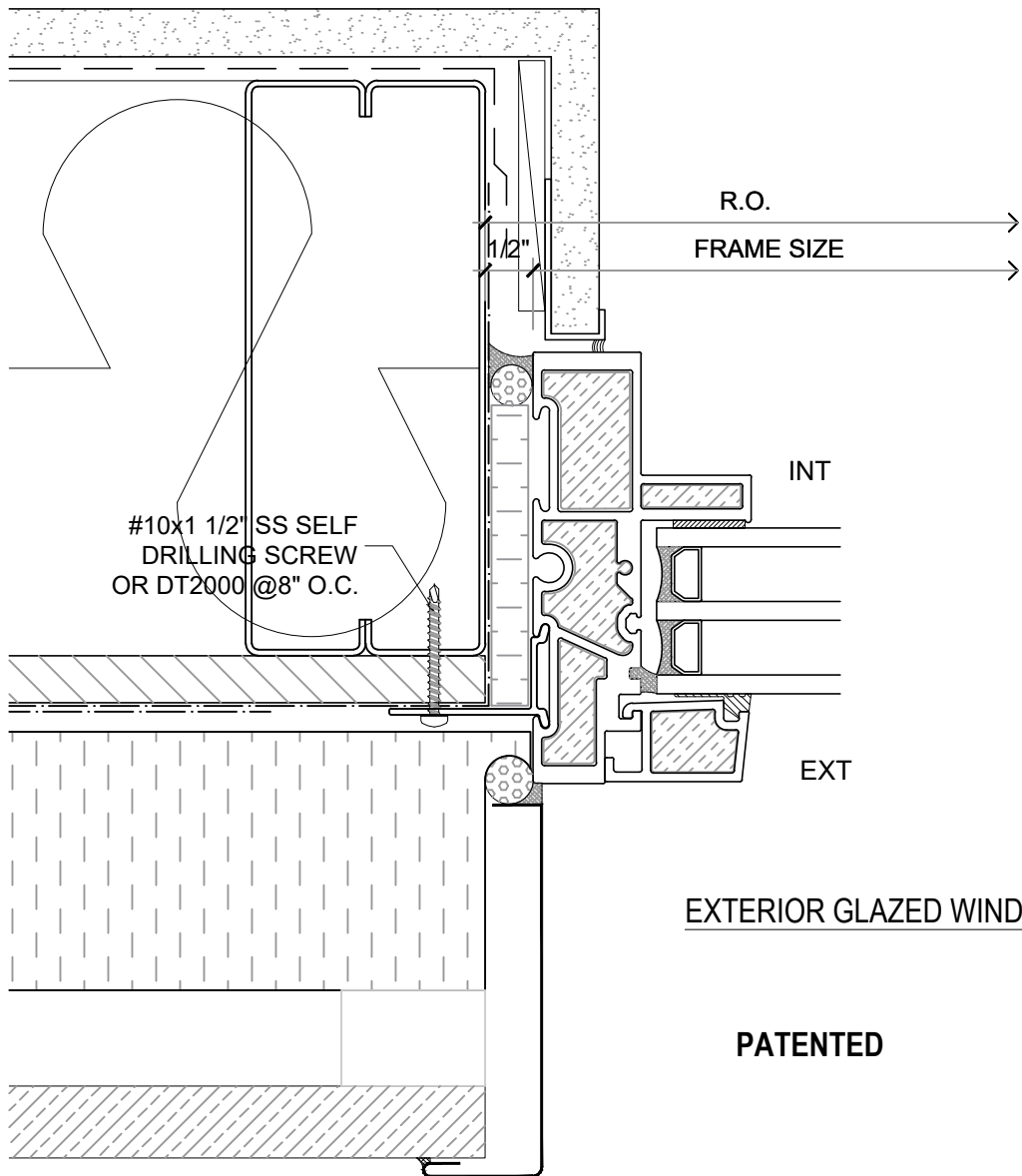
DRAWING NO.: NF-1.03

SCALE: 6" = 1'-0"

PATENTED

DATE: 26 NOVEMBER, 2018

DRAWN BY: CP



NOTE: THIS DRAFT DETAIL IS FOR GENERAL ARRANGEMENT PURPOSES ONLY, AND DOES NOT NECESSARILY REPRESENT A DETAIL THAT IS APPROPRIATE FOR A SPECIFIC PROJECT. PRODUCTS AND ACCESSORIES PROVIDED BY CASCADIA MUST BE CONFIRMED FOR SPECIFIC PROJECTS.

NOTE: NAIL FLANGE IS CONTINUOUS

CASCADIA WINDOWS LTD.
 #101-5350 275TH STREET
 LANGLEY, BC, CANADA V4W 0C1

DRAWING
 TITLE:

UNIVERSAL SERIES - WINDOW JAMB
 STANDARD NAIL FLANGE INSTALLATION (CW-NF1)

DRAWING NO.:

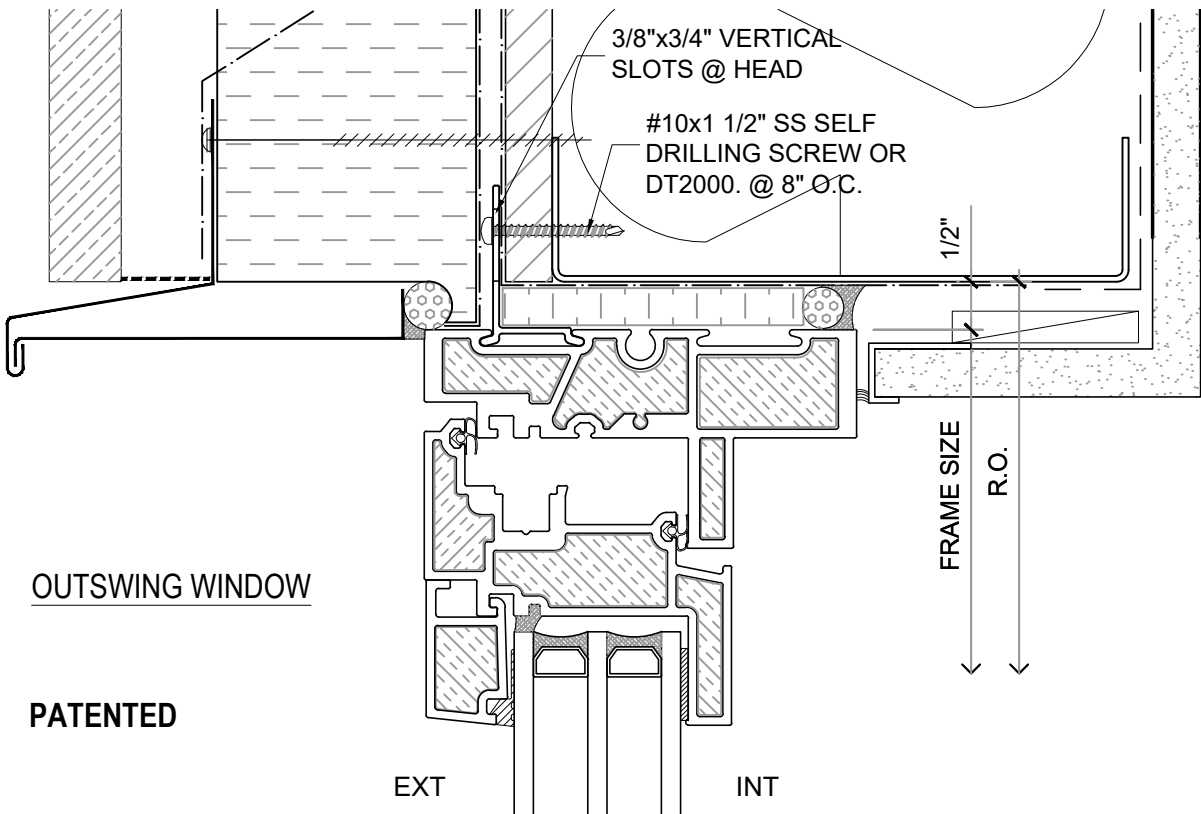
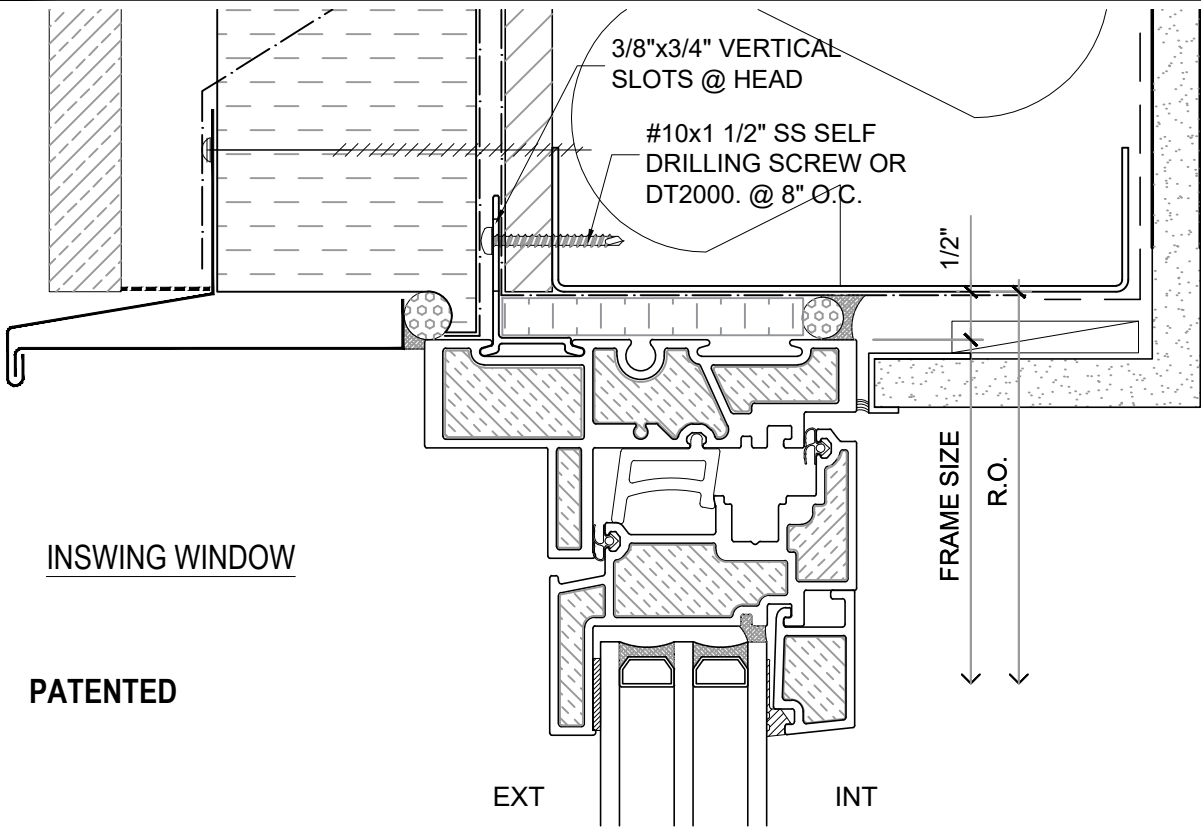
NF-1.04

SCALE: 6" = 1'-0"

PATENTED

DATE: 26 NOVEMBER, 2018

DRAWN BY: CP



NOTE: THIS DRAFT DETAIL IS FOR GENERAL ARRANGEMENT PURPOSES ONLY, AND DOES NOT NECESSARILY REPRESENT A DETAIL THAT IS APPROPRIATE FOR A SPECIFIC PROJECT. PRODUCTS AND ACCESSORIES PROVIDED BY CASCADIA MUST BE CONFIRMED FOR SPECIFIC PROJECTS.

NOTE: NAIL FLANGE IS CONTINUOUS

CASCADIA WINDOWS LTD.
#101-5350 275TH STREET
LANGLEY, BC, CANADA V4W 0C1

DRAWING
TITLE:

UNIVERSAL SERIES - WINDOW HEADS
STANDARD NAIL FLANGE INSTALLATION (CW-NF1)

DRAWING NO.:

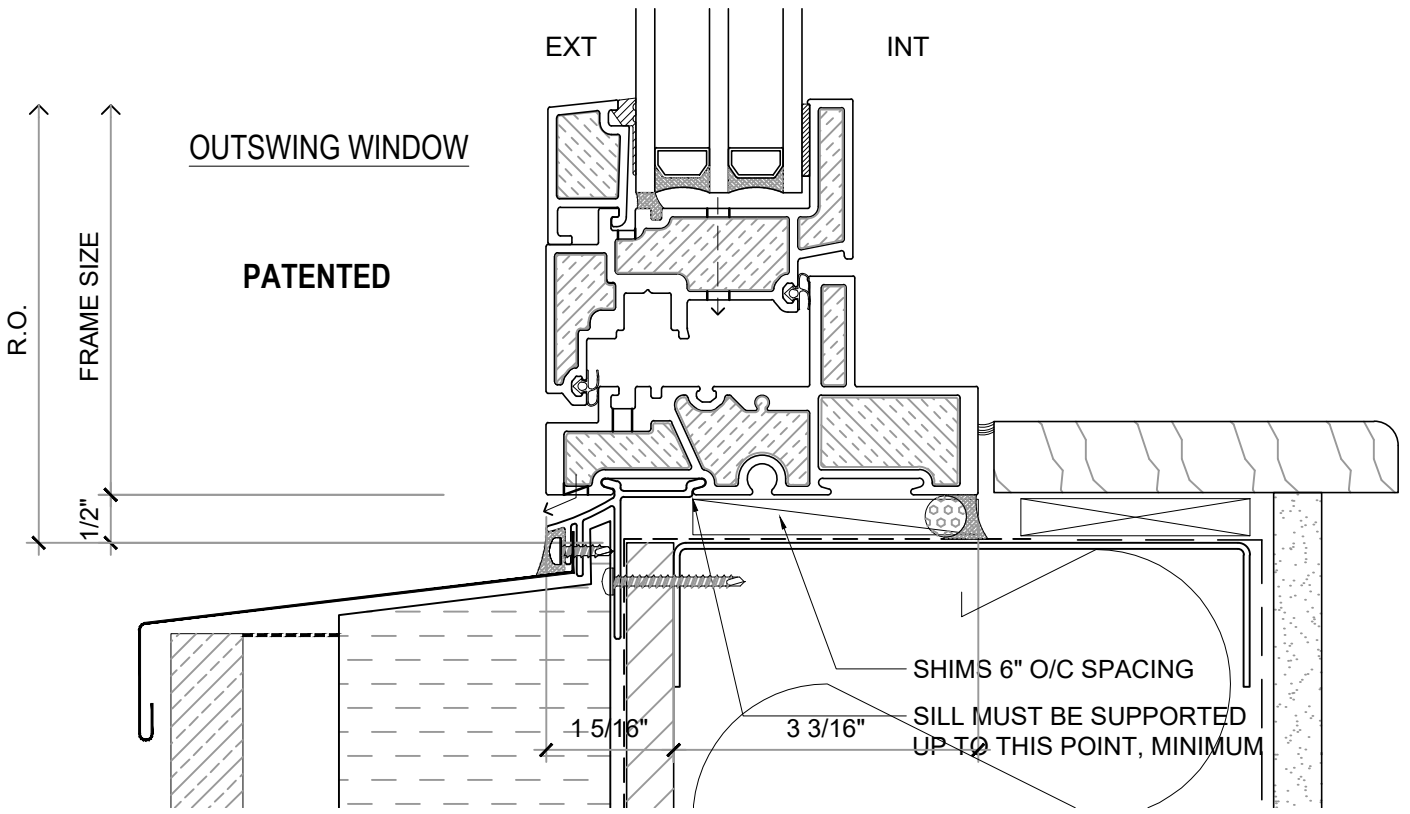
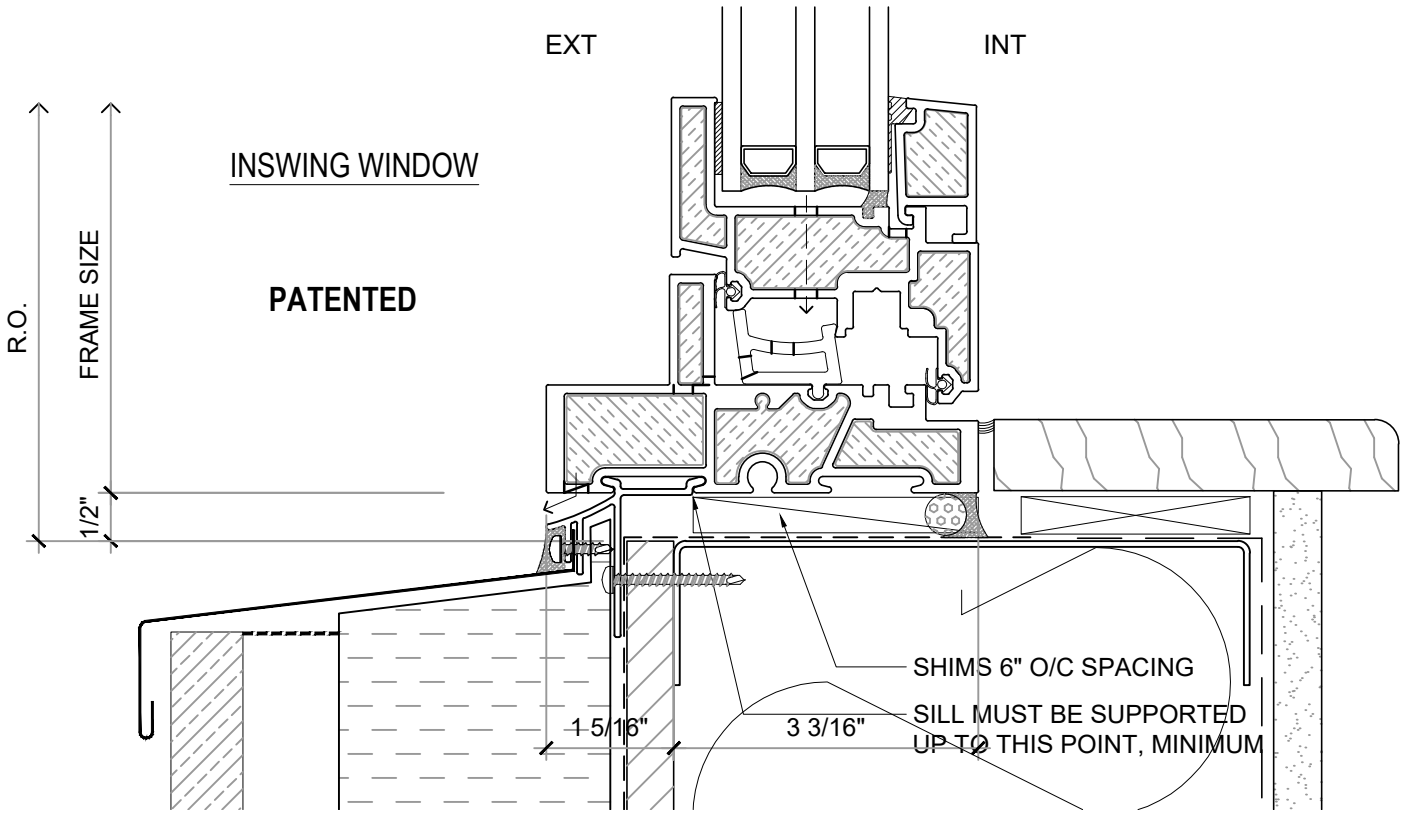
NF-1.05

SCALE: 6" = 1'-0"

PATENTED

DATE: 26 NOVEMBER, 2018

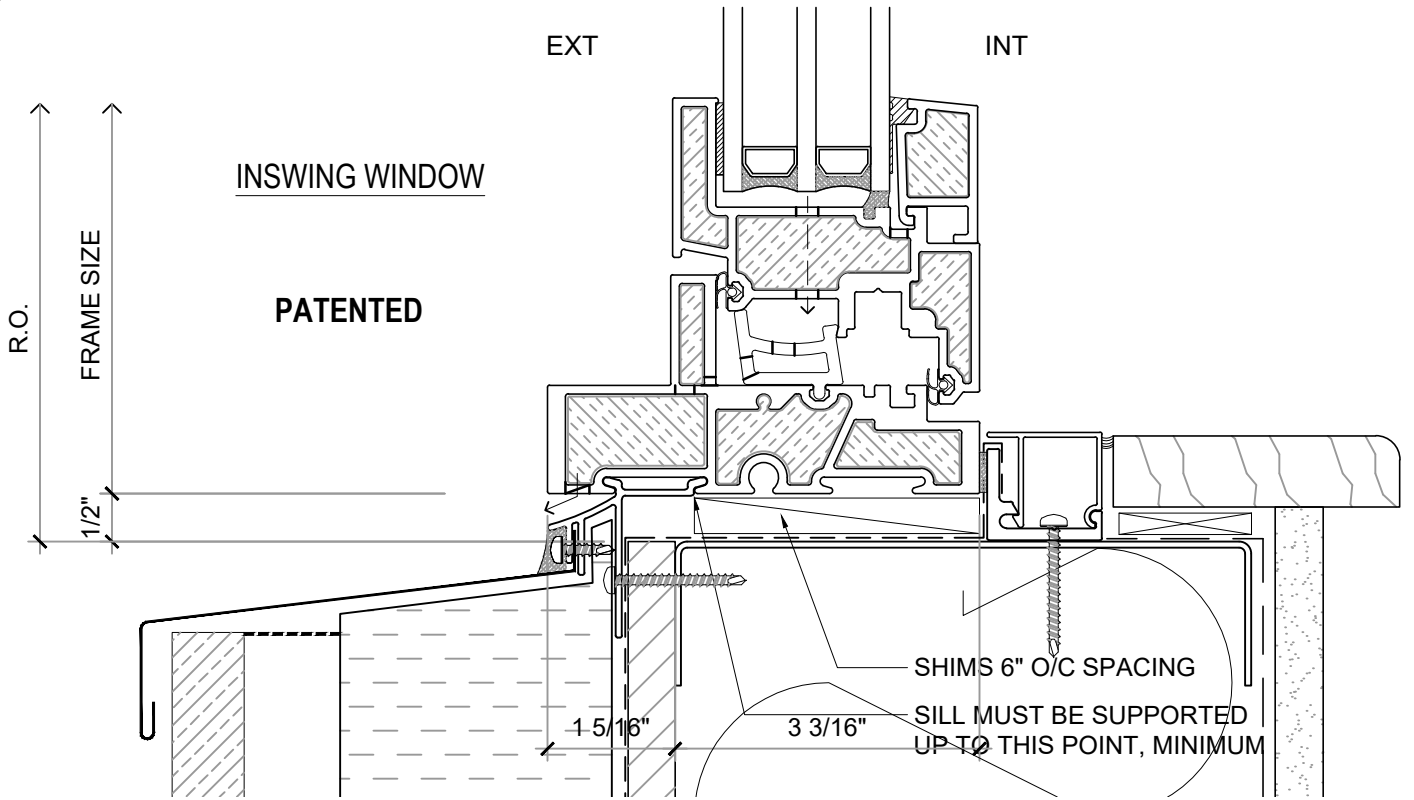
DRAWN BY: CP



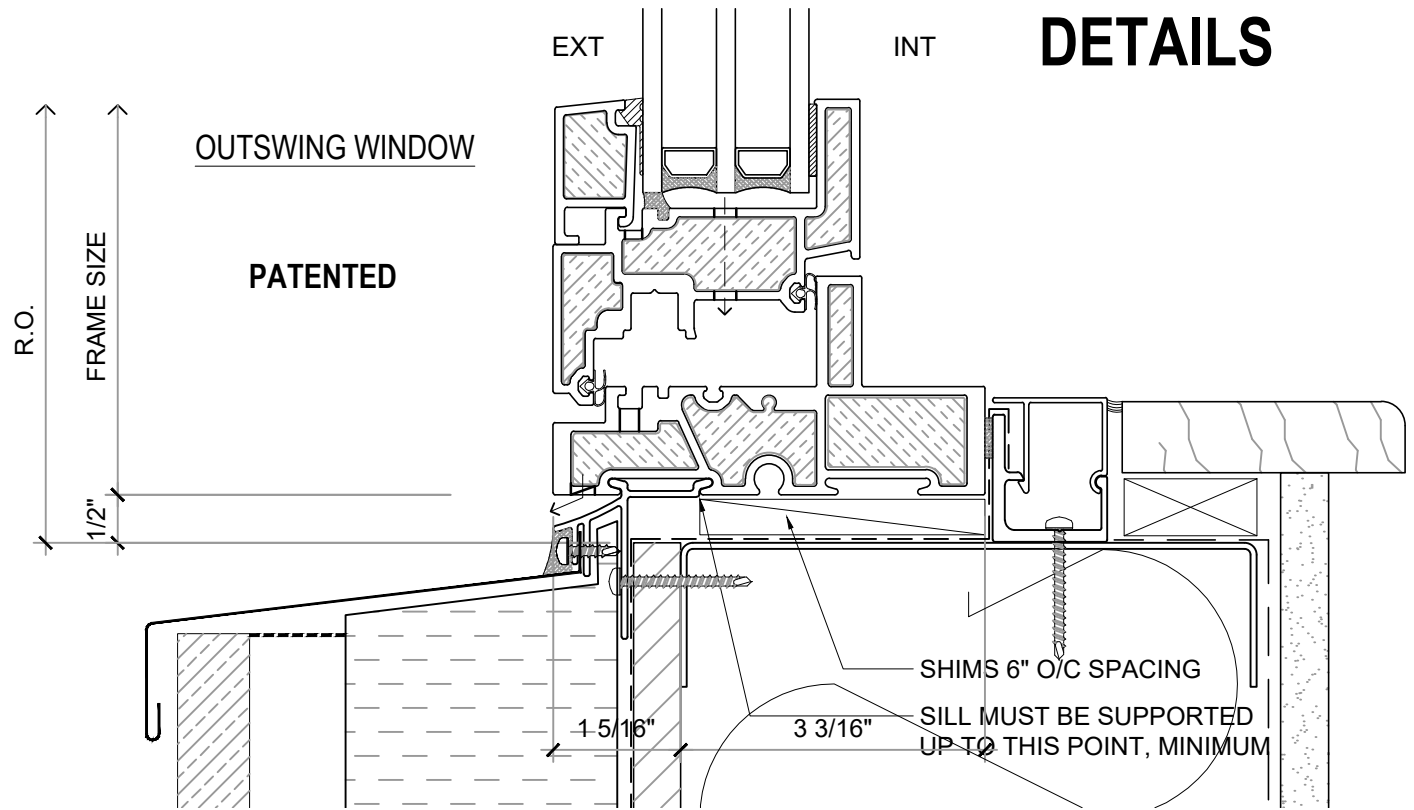
NOTE: THIS DRAFT DETAIL IS FOR GENERAL ARRANGEMENT PURPOSES ONLY, AND DOES NOT NECESSARILY REPRESENT A DETAIL THAT IS APPROPRIATE FOR A SPECIFIC PROJECT. PRODUCTS AND ACCESSORIES PROVIDED BY CASCADIA MUST BE CONFIRMED FOR SPECIFIC PROJECTS.

NOTE: NAIL FLANGE IS CONTINUOUS

CASCADIA WINDOWS LTD. #101-5350 275TH STREET LANGLEY, BC, CANADA V4W 0C1	DRAWING TITLE: UNIVERSAL SERIES - WINDOW SILLS STANDARD NAIL FLANGE INSTALLATION (CW-NF2)	DRAWING NO.: NF-1.06
	SCALE: 6" = 1'-0"	PATENTED



ALTERNATE SILL DETAILS



NOTE: THIS DRAFT DETAIL IS FOR GENERAL ARRANGEMENT PURPOSES ONLY, AND DOES NOT NECESSARILY REPRESENT A DETAIL THAT IS APPROPRIATE FOR A SPECIFIC PROJECT. PRODUCTS AND ACCESSORIES PROVIDED BY CASCADIA MUST BE CONFIRMED FOR SPECIFIC PROJECTS.

NOTE: NAIL FLANGE IS CONTINUOUS

CASCADIA WINDOWS LTD.
#101-5350 275TH STREET
LANGLEY, BC, CANADA V4W 0C1

DRAWING
TITLE:

UNIVERSAL SERIES - WINDOW SILLS
STANDARD NAIL FLANGE INSTALLATION (CW-NF2)

DRAWING NO.:

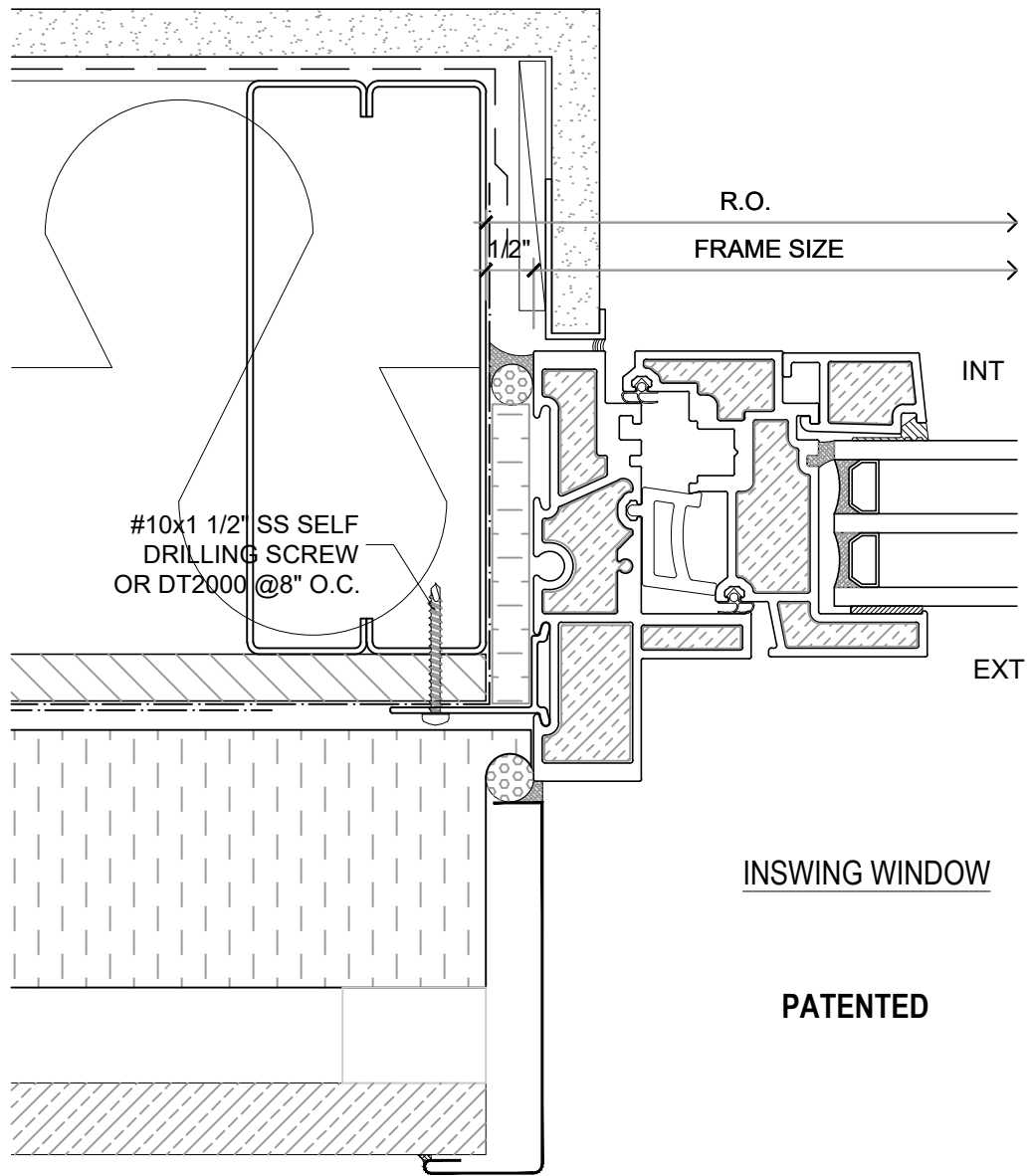
NF-1.06A

SCALE: 6" = 1'-0"

PATENTED

DATE: 26 NOVEMBER, 2018

DRAWN BY: CP



NOTE: THIS DRAFT DETAIL IS FOR GENERAL ARRANGEMENT PURPOSES ONLY, AND DOES NOT NECESSARILY REPRESENT A DETAIL THAT IS APPROPRIATE FOR A SPECIFIC PROJECT. PRODUCTS AND ACCESSORIES PROVIDED BY CASCADIA MUST BE CONFIRMED FOR SPECIFIC PROJECTS.

NOTE: NAIL FLANGE IS CONTINUOUS

CASCADIA WINDOWS LTD.
 #101-5350 275TH STREET
 LANGLEY, BC, CANADA V4W 0C1

DRAWING
 TITLE:

UNIVERSAL SERIES - WINDOW JAMB
STANDARD NAIL FLANGE INSTALLATION (CW-NF1)

DRAWING NO.:

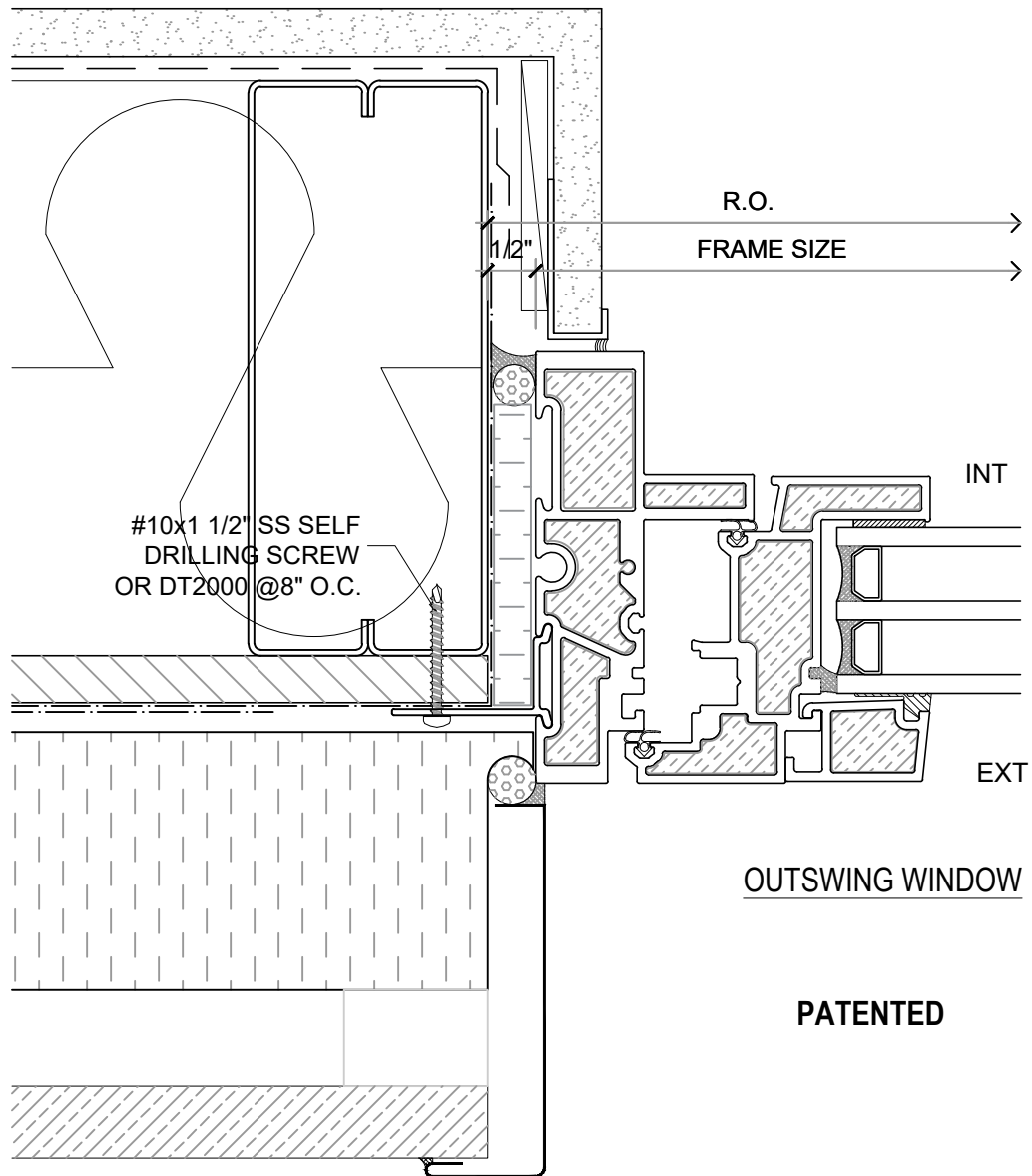
NF-1.07

SCALE: 6" = 1'-0"

PATENTED

DATE: 26 NOVEMBER, 2018

DRAWN BY: CP



#10x1 1/2" SS SELF
DRILLING SCREW
OR DT2000 @8" O.C.

R.O.
FRAME SIZE

INT

EXT

OUTSWING WINDOW

PATENTED

NOTE: THIS DRAFT DETAIL IS FOR GENERAL ARRANGEMENT PURPOSES ONLY, AND DOES NOT NECESSARILY REPRESENT A DETAIL THAT IS APPROPRIATE FOR A SPECIFIC PROJECT. PRODUCTS AND ACCESSORIES PROVIDED BY CASCADIA MUST BE CONFIRMED FOR SPECIFIC PROJECTS.

NOTE: NAIL FLANGE IS CONTINUOUS

CASCADIA WINDOWS LTD.
#101-5350 275TH STREET
LANGLEY, BC, CANADA V4W 0C1

DRAWING
TITLE:

UNIVERSAL SERIES - WINDOW JAMB
STANDARD NAIL FLANGE INSTALLATION (CW-NF1)

DRAWING NO.:

NF-1.08

SCALE: 6" = 1'-0"

PATENTED

DATE: 26 NOVEMBER, 2018

DRAWN BY: CP