

NOTE: THIS DRAFT DETAIL IS FOR GENERAL ARRANGEMENT PURPOSES ONLY, AND DOES NOT NECESSARILY REPRESENT A DETAIL THAT IS APPROPRIATE FOR A SPECIFIC PROJECT. PRODUCTS AND ACCESSORIES PROVIDED BY CASCADIA MUST BE CONFIRMED FOR SPECIFIC PROJECTS.

CASCADIA WINDOWS LTD.
 #101-5350 275TH STREET
 LANGLEY, BC, CANADA V4W 0C1

DRAWING TITLE: **UNIVERSAL SERIES - TYPICAL DOOR HEADS**
RAINSREEN WALL ASSEMBLY, EXTERIOR INSULATION

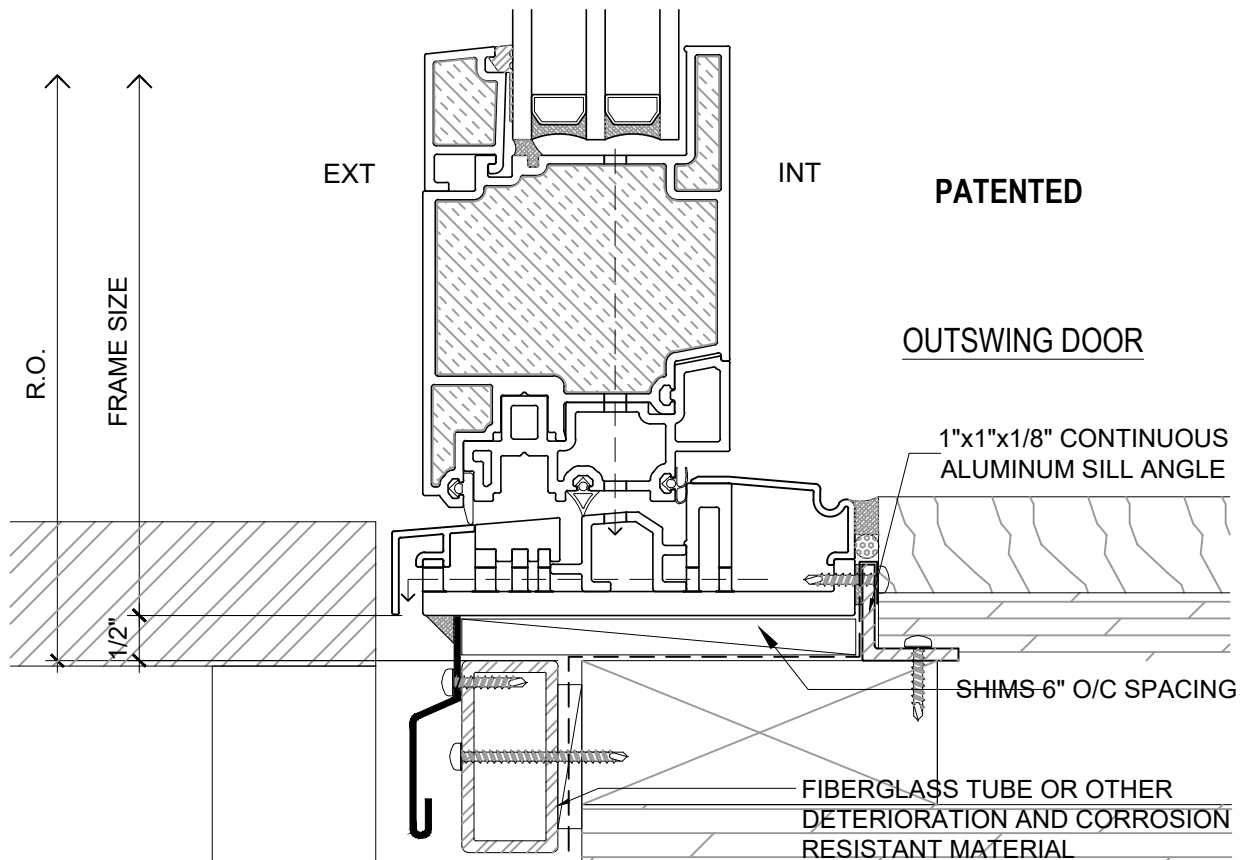
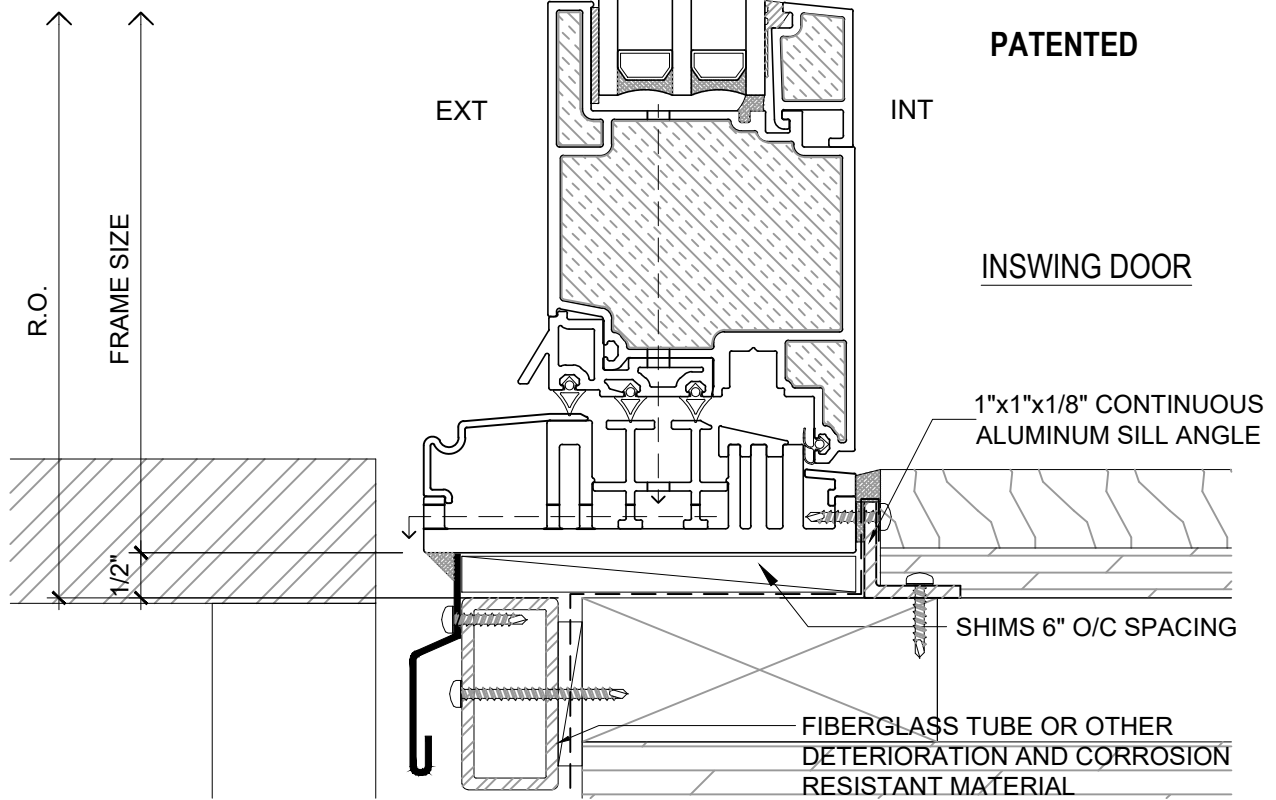
DRAWING NO.: **D-1.01**

SCALE: 6" = 1'-0"

PATENTED

DATE: 26 NOVEMBER 2018

DRAWN BY: CP



NOTE: THIS DRAFT DETAIL IS FOR GENERAL ARRANGEMENT PURPOSES ONLY, AND DOES NOT NECESSARILY REPRESENT A DETAIL THAT IS APPROPRIATE FOR A SPECIFIC PROJECT. PRODUCTS AND ACCESSORIES PROVIDED BY CASCADIA MUST BE CONFIRMED FOR SPECIFIC PROJECTS.

CASCADIA WINDOWS LTD.
 #101-5350 275TH STREET
 LANGLEY, BC, CANADA V4W 0C1

DRAWING TITLE: **UNIVERSAL SERIES - TYPICAL DOOR SILLS**
RAINSREEN WALL ASSEMBLY, EXTERIOR INSULATION

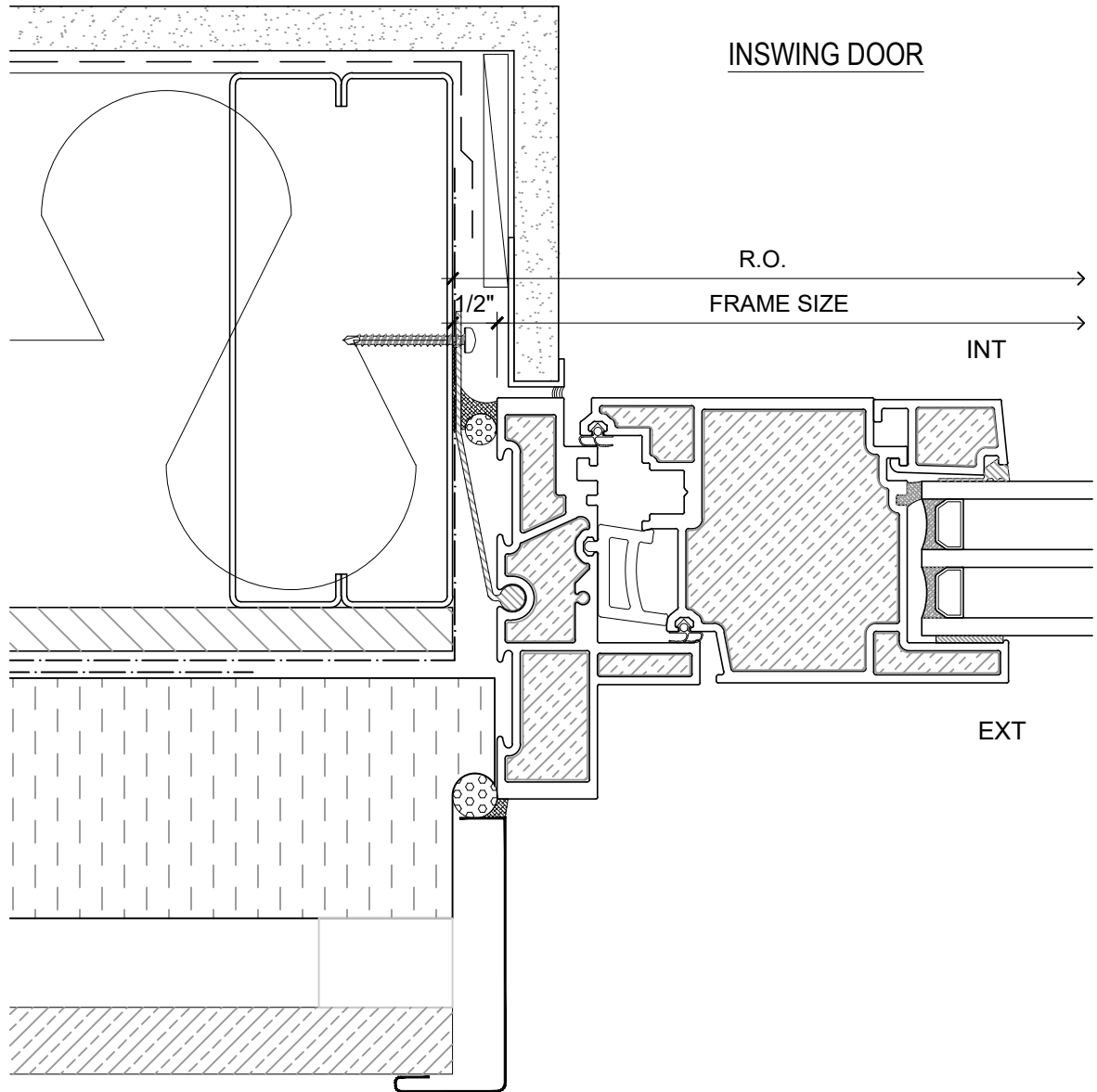
DRAWING NO.: **D-1.02**

SCALE: 6" = 1'-0"

PATENTED

DATE: 26 NOVEMBER 2018

DRAWN BY: CP



PATENTED

NOTE: THIS DRAFT DETAIL IS FOR GENERAL ARRANGEMENT PURPOSES ONLY, AND DOES NOT NECESSARILY REPRESENT A DETAIL THAT IS APPROPRIATE FOR A SPECIFIC PROJECT. PRODUCTS AND ACCESSORIES PROVIDED BY CASCADIA MUST BE CONFIRMED FOR SPECIFIC PROJECTS.

NOTE: SUB-CLIPS AND ANCHOR CLIPS AT HEAD AND JAMBS ARE INTERMITTENT

CASCADIA WINDOWS LTD.
 #101-5350 275TH STREET
 LANGLEY, BC, CANADA V4W 0C1

DRAWING TITLE: **UNIVERSAL SERIES - TYPICAL DOOR JAMB**
RAINSCREEN WALL ASSEMBLY, EXTERIOR INSULATION

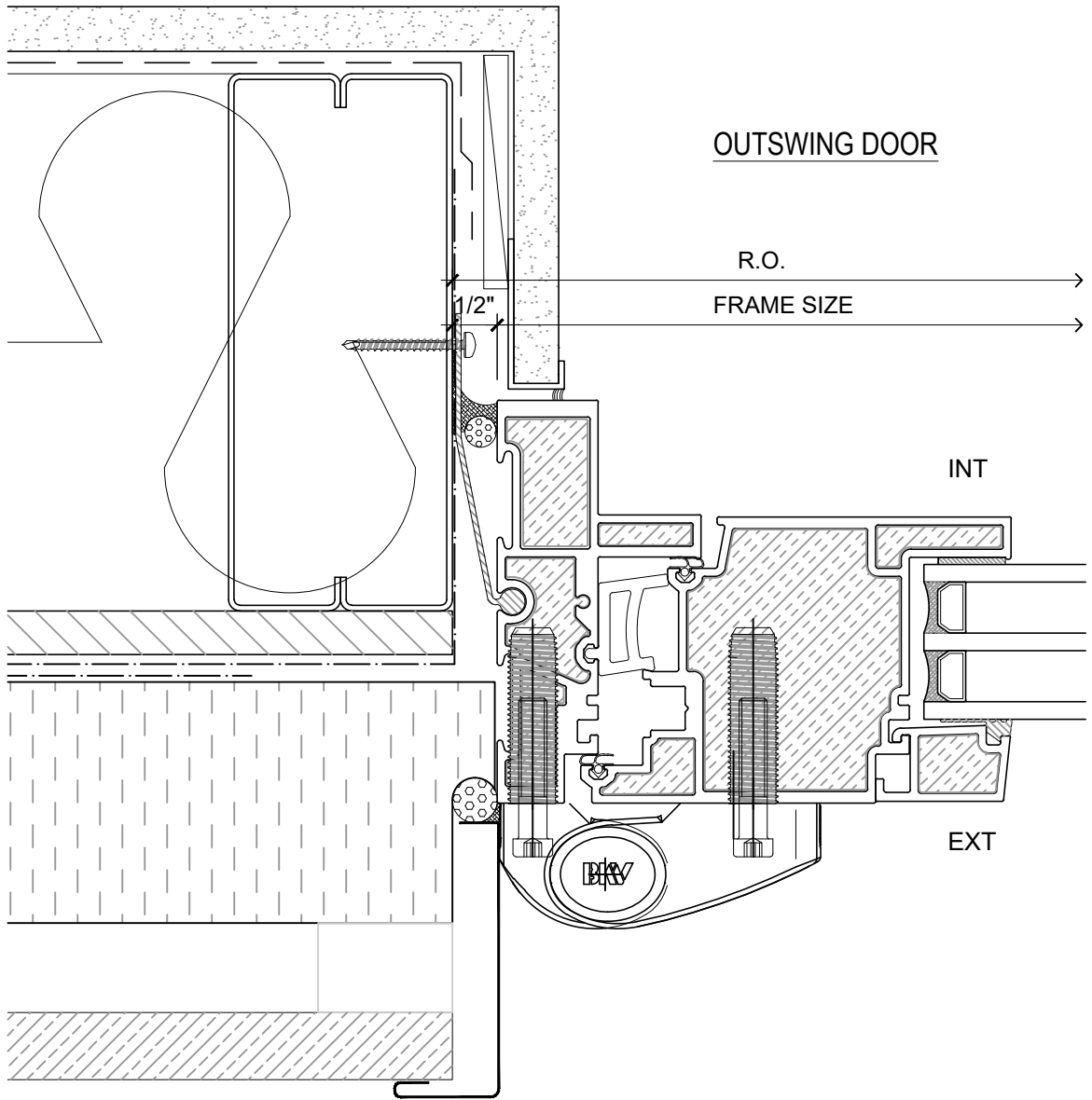
DRAWING NO.: **D-1.03**

SCALE: 6" = 1'-0"

PATENTED

DATE: 26 NOVEMBER 2018

DRAWN BY: CP



PATENTED

NOTE: THIS DRAFT DETAIL IS FOR GENERAL ARRANGEMENT PURPOSES ONLY, AND DOES NOT NECESSARILY REPRESENT A DETAIL THAT IS APPROPRIATE FOR A SPECIFIC PROJECT. PRODUCTS AND ACCESSORIES PROVIDED BY CASCADIA MUST BE CONFIRMED FOR SPECIFIC PROJECTS.

NOTE: SUB-CLIPS AND ANCHOR CLIPS AT HEAD AND JAMBS ARE INTERMITTENT

CASCADIA WINDOWS LTD.
 #101-5350 275TH STREET
 LANGLEY, BC, CANADA V4W 0C1

DRAWING TITLE: **UNIVERSAL SERIES - TYPICAL DOOR JAMB**
RAINSCREEN WALL ASSEMBLY, EXTERIOR INSULATION

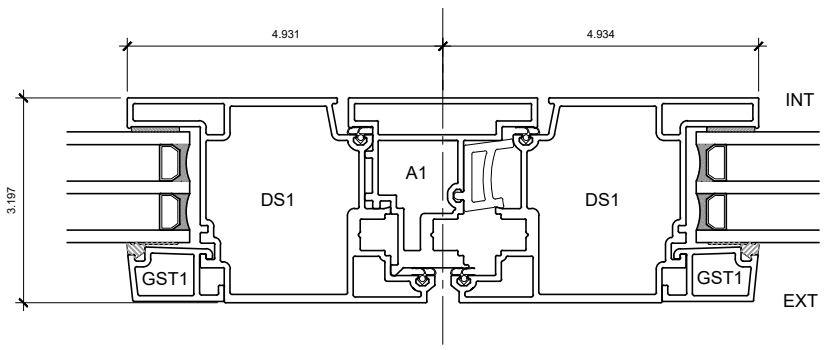
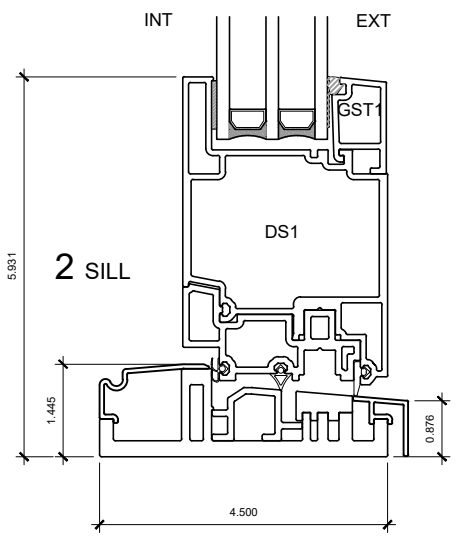
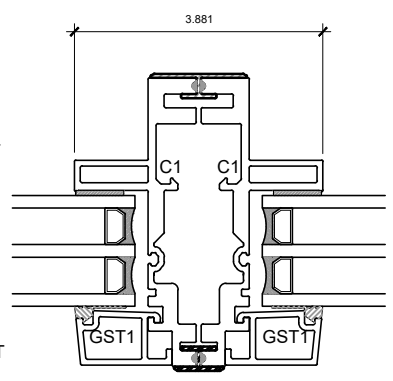
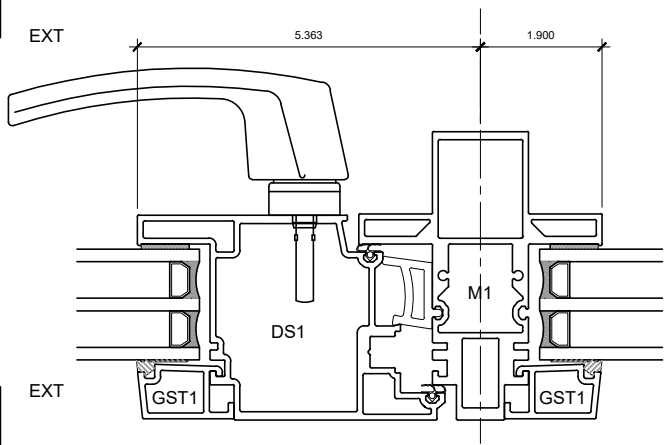
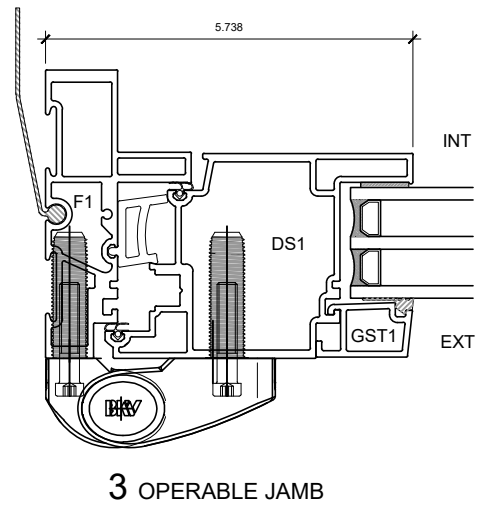
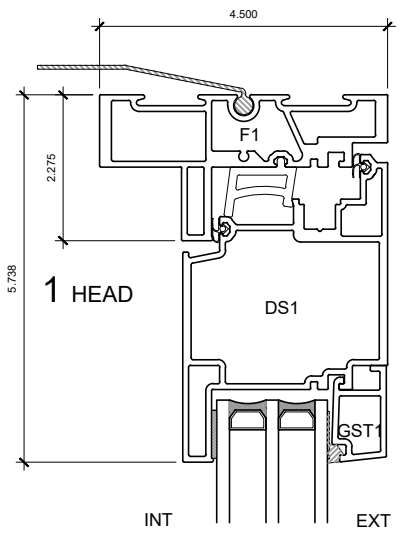
DRAWING NO.: **D-1.04**

SCALE: 6" = 1'-0"

PATENTED

DATE: 26 NOVEMBER 2018

DRAWN BY: CP



PATENTED

NOTE: THIS DRAFT DETAIL IS FOR GENERAL ARRANGEMENT PURPOSES ONLY, AND DOES NOT NECESSARILY REPRESENT A DETAIL THAT IS APPROPRIATE FOR A SPECIFIC PROJECT. PRODUCTS AND ACCESSORIES PROVIDED BY CASCADIA MUST BE CONFIRMED FOR SPECIFIC PROJECTS.

CASCADIA WINDOWS LTD.
 #101-5350 275TH STREET
 LANGLEY, BC, CANADA V4W 0C1

DRAWING TITLE: **UNIVERSAL SERIES - OUTSWING DOOR**
 PRODUCT DRAWING

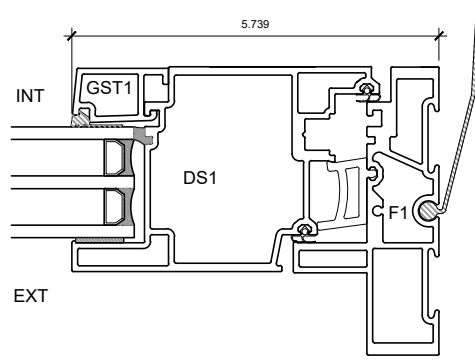
DRAWING NO.: **D-2.01**

SCALE: 4" = 1'-0"

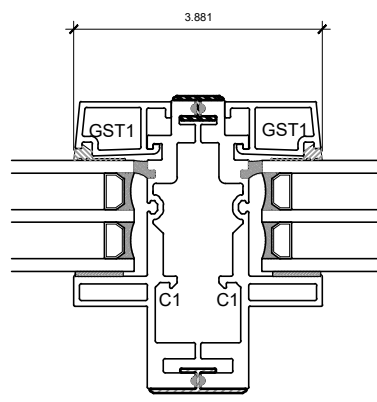
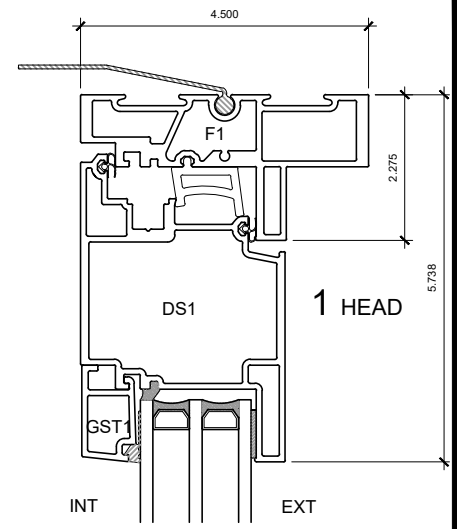
PATENTED

DATE: 26 NOVEMBER 2018

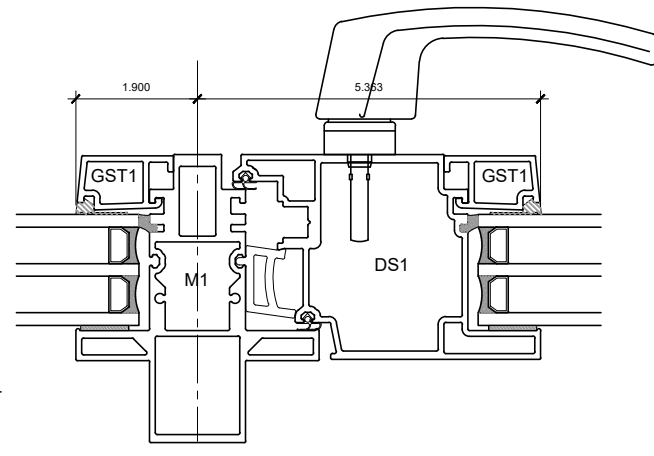
DRAWN BY: CP



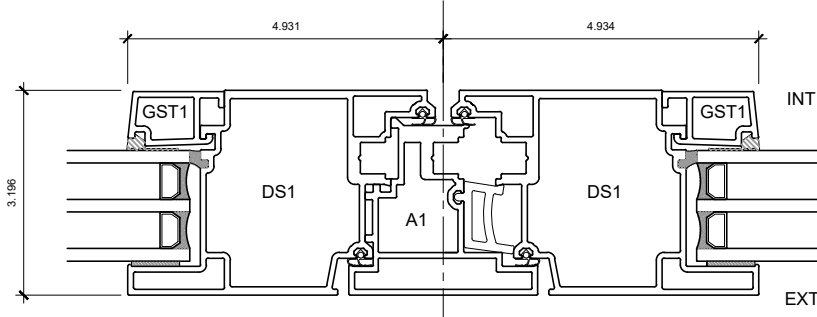
3 OPERABLE JAMB



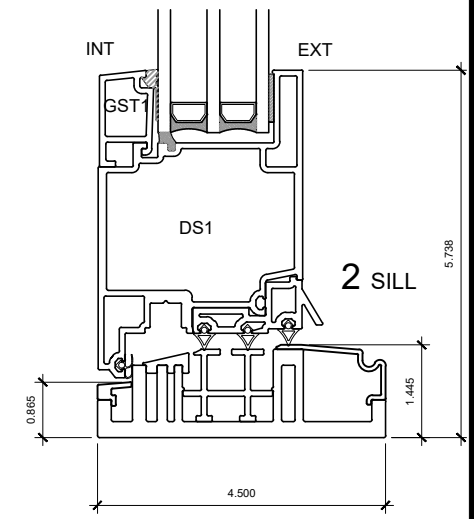
5 COUPLED MULLION



4 MULLION



6 ASTRAGAL



2 SILL

PATENTED

NOTE: THIS DRAFT DETAIL IS FOR GENERAL ARRANGEMENT PURPOSES ONLY, AND DOES NOT NECESSARILY REPRESENT A DETAIL THAT IS APPROPRIATE FOR A SPECIFIC PROJECT. PRODUCTS AND ACCESSORIES PROVIDED BY CASCADIA MUST BE CONFIRMED FOR SPECIFIC PROJECTS.

CASCADIA WINDOWS LTD.
 #101-5350 275TH STREET
 LANGLEY, BC, CANADA V4W 0C1

DRAWING TITLE: **UNIVERSAL SERIES - INSWING DOOR**
 PRODUCT DRAWING

DRAWING NO.: **D-2.02**

SCALE: 4" = 1'-0"

PATENTED

DATE: 26 NOVEMBER 2018

DRAWN BY: CP