

**NOTE:** THIS DRAFT DETAIL IS FOR GENERAL ARRANGEMENT PURPOSES ONLY, AND DOES NOT NECESSARILY REPRESENT A DETAIL THAT IS APPROPRIATE FOR A SPECIFIC PROJECT. PRODUCTS AND ACCESSORIES PROVIDED BY CASCADIA MUST BE CONFIRMED FOR SPECIFIC PROJECTS.

**CASCADIA WINDOWS LTD.**  
 #101-5350 275TH STREET  
 LANGLEY, BC, CANADA V4W 0C1

DRAWING TITLE: **UNIVERSAL SERIES - TYPICAL DOOR HEADS**  
**RAINSREEN WALL ASSEMBLY, EXTERIOR INSULATION**

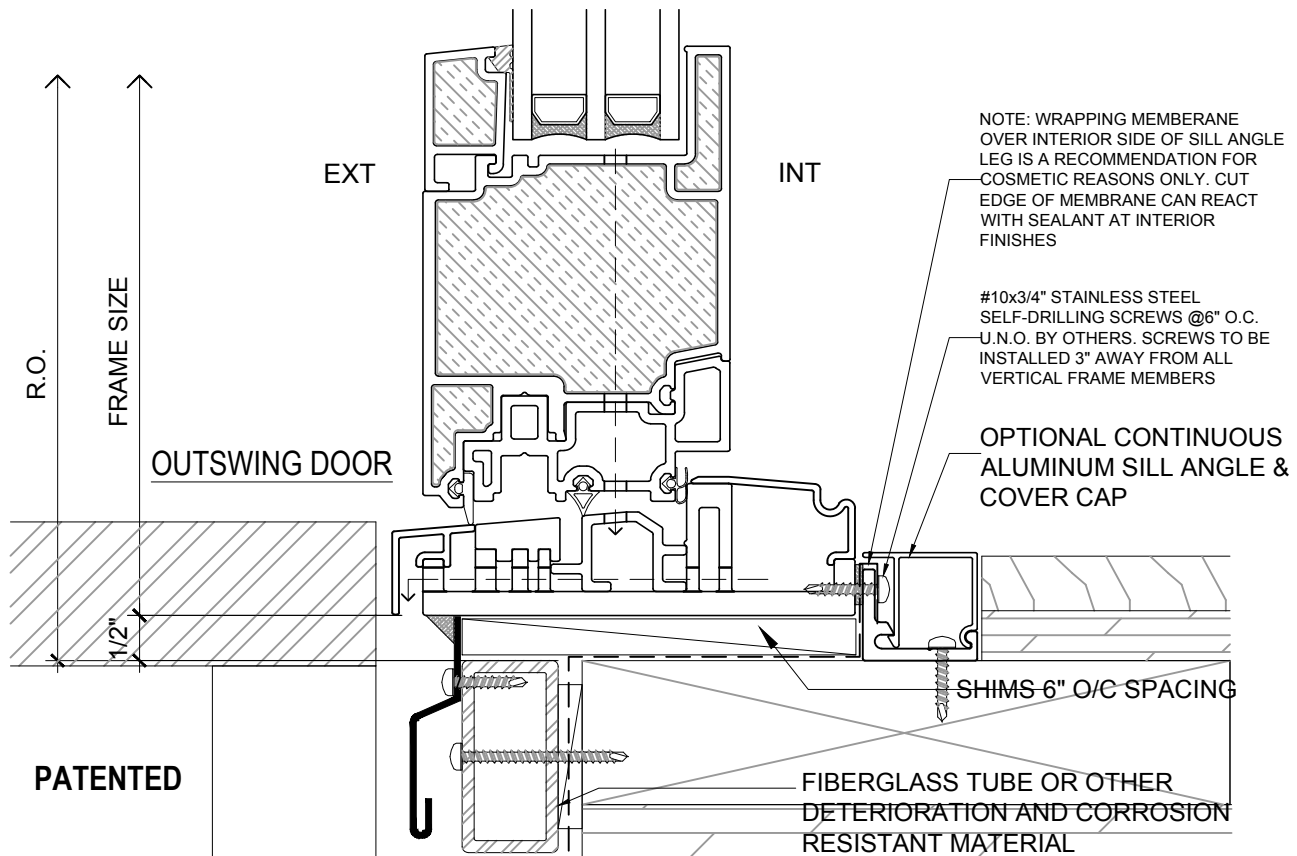
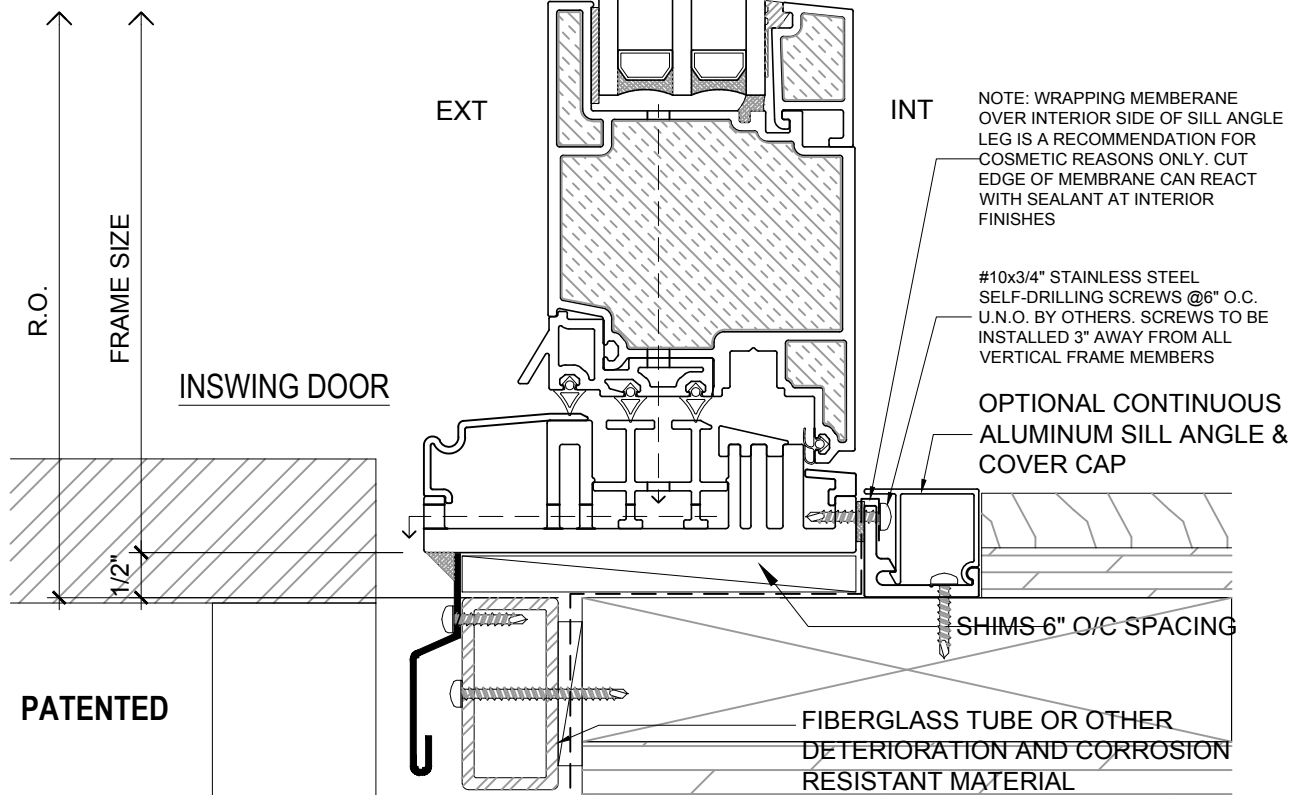
DRAWING NO.:  
**D-1.01**

SCALE: 6" = 1'-0"

PATENTED

DATE: 18 JUNE, 2018

DRAWN BY: CP



**NOTE:** THIS DRAFT DETAIL IS FOR GENERAL ARRANGEMENT PURPOSES ONLY, AND DOES NOT NECESSARILY REPRESENT A DETAIL THAT IS APPROPRIATE FOR A SPECIFIC PROJECT. PRODUCTS AND ACCESSORIES PROVIDED BY CASCADIA MUST BE CONFIRMED FOR SPECIFIC PROJECTS.

**CASCADIA WINDOWS LTD.**  
 #101-5350 275TH STREET  
 LANGLEY, BC, CANADA V4W 0C1

DRAWING TITLE: **UNIVERSAL SERIES - TYPICAL DOOR SILLS**  
**RAINSREEN WALL ASSEMBLY, EXTERIOR INSULATION**

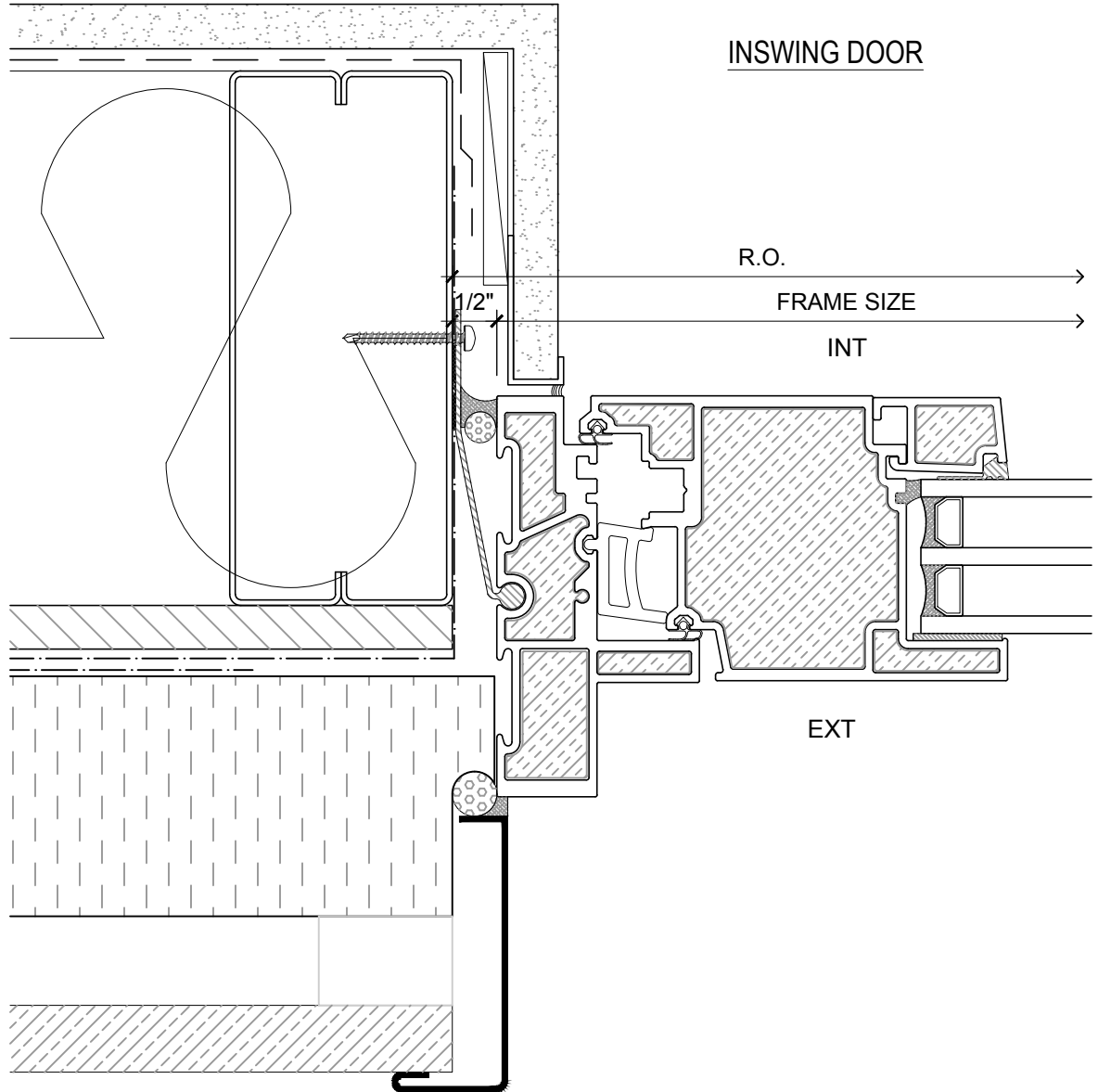
DRAWING NO.: **D-1.02**

SCALE: 6" = 1'-0"

PATENTED

DATE: 18 JUNE, 2018

DRAWN BY: CP

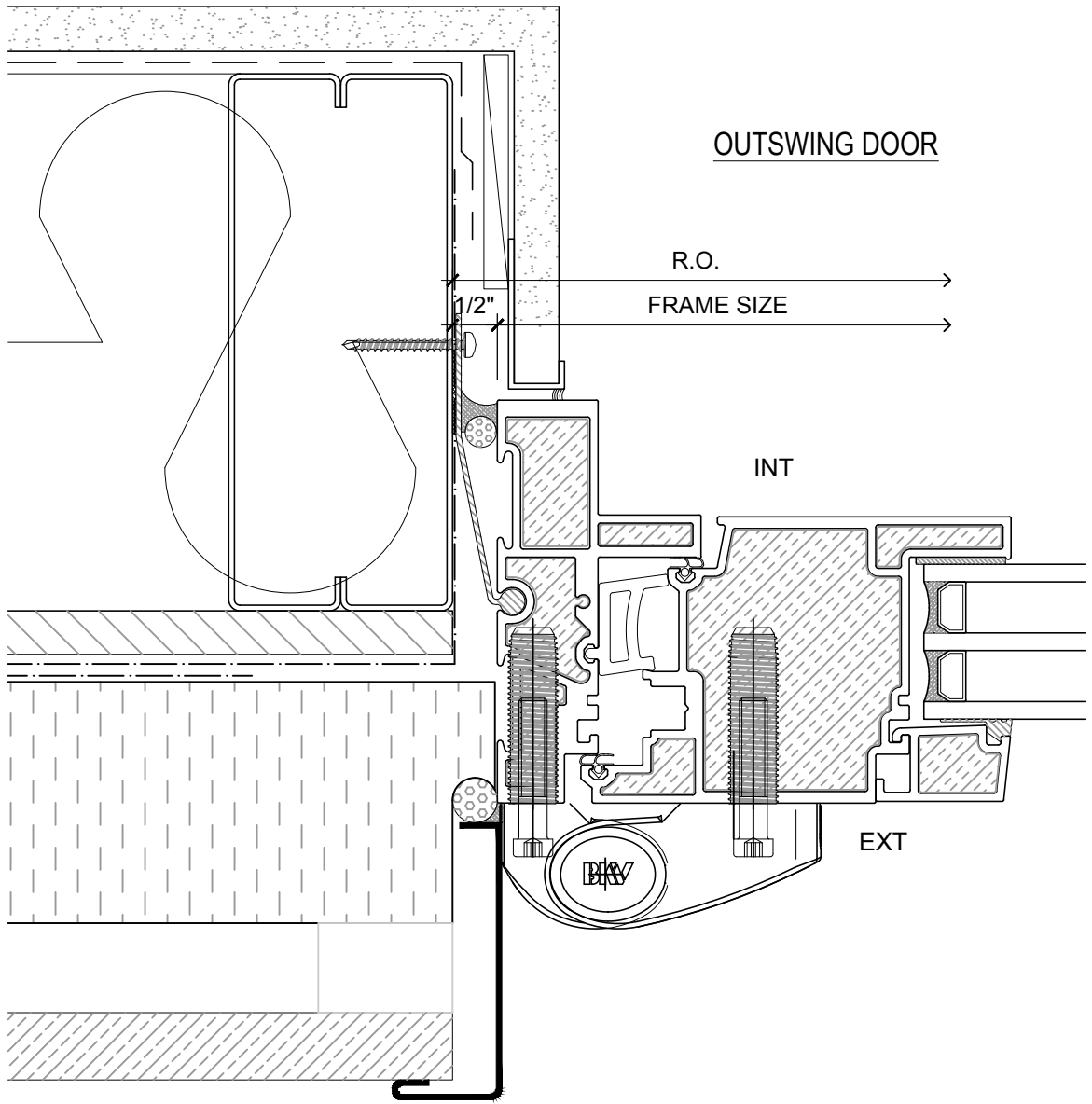


**PATENTED**

*NOTE: THIS DRAFT DETAIL IS FOR GENERAL ARRANGEMENT PURPOSES ONLY, AND DOES NOT NECESSARILY REPRESENT A DETAIL THAT IS APPROPRIATE FOR A SPECIFIC PROJECT. PRODUCTS AND ACCESSORIES PROVIDED BY CASCADIA MUST BE CONFIRMED FOR SPECIFIC PROJECTS.*

**NOTE:** SUB-CLIPS AND ANCHOR CLIPS AT HEAD AND JAMBS ARE INTERMITTENT

<b>CASCADIA WINDOWS LTD.</b> #101-5350 275TH STREET LANGLEY, BC, CANADA V4W 0C1	DRAWING TITLE: <b>UNIVERSAL SERIES - TYPICAL DOOR JAMB</b> <b>RAINSCREEN WALL ASSEMBLY, EXTERIOR INSULATION</b>		DRAWING NO.: <b>D-1.03</b>
	SCALE: 6" = 1'-0"	PATENTED	DATE: 18 JUNE, 2018

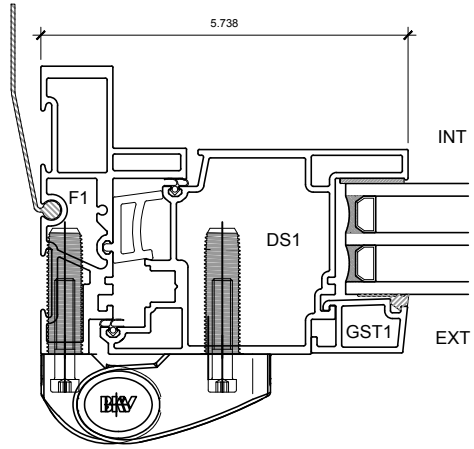
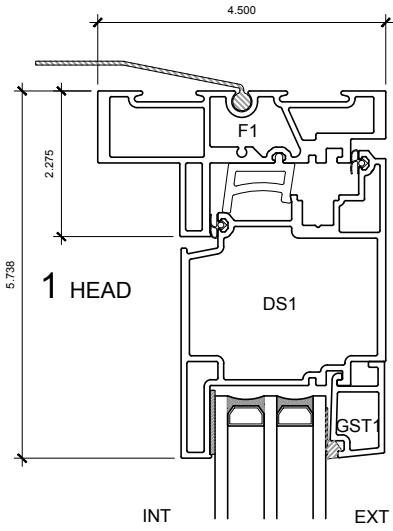


**PATENTED**

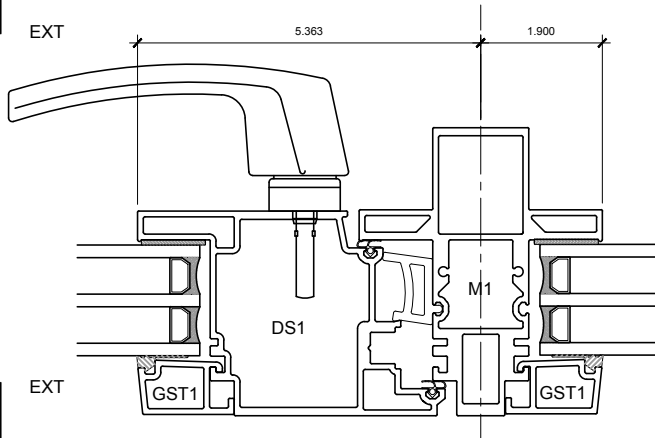
**NOTE:** THIS DRAFT DETAIL IS FOR GENERAL ARRANGEMENT PURPOSES ONLY, AND DOES NOT NECESSARILY REPRESENT A DETAIL THAT IS APPROPRIATE FOR A SPECIFIC PROJECT. PRODUCTS AND ACCESSORIES PROVIDED BY CASCADIA MUST BE CONFIRMED FOR SPECIFIC PROJECTS.

**NOTE:** SUB-CLIPS AND ANCHOR CLIPS AT HEAD AND JAMBS ARE INTERMITTENT

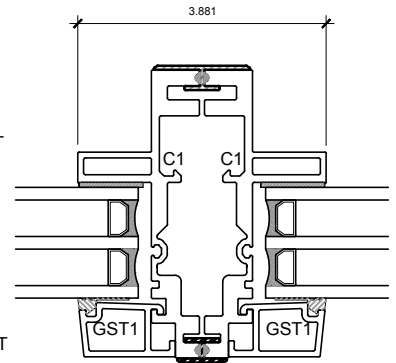
<b>CASCADIA WINDOWS LTD.</b> #101-5350 275TH STREET LANGLEY, BC, CANADA V4W 0C1	<b>DRAWING TITLE:</b> UNIVERSAL SERIES - TYPICAL DOOR JAMB RAINSCREEN WALL ASSEMBLY, EXTERIOR INSULATION		<b>DRAWING NO.:</b> <b>D-1.04</b>
	<b>SCALE:</b> 6" = 1'-0"	<b>PATENTED</b>	<b>DATE:</b> 18 JUNE, 2018



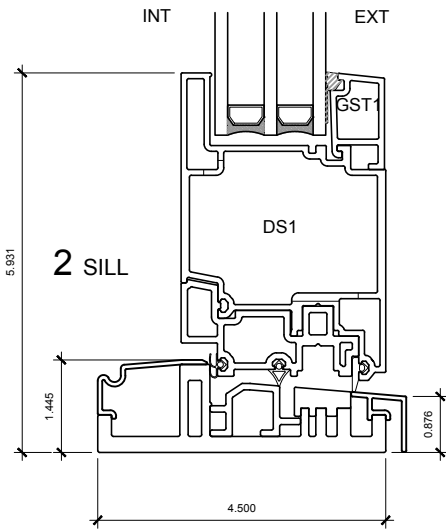
3 OPERABLE JAMB



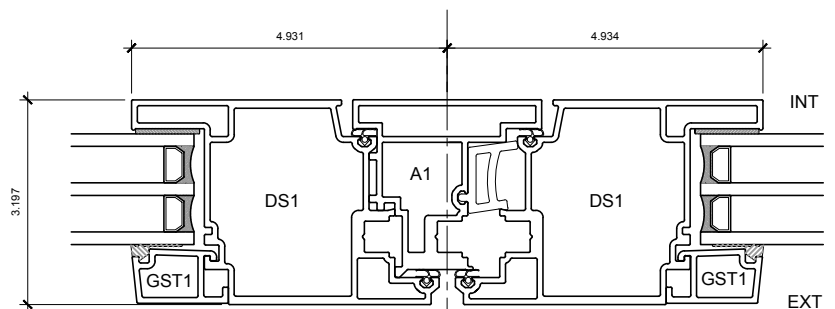
4 MULLION



5 COUPLED MULLION



2 SILL



6 ASTRAGAL

PATENTED

NOTE: THIS DRAFT DETAIL IS FOR GENERAL ARRANGEMENT PURPOSES ONLY, AND DOES NOT NECESSARILY REPRESENT A DETAIL THAT IS APPROPRIATE FOR A SPECIFIC PROJECT. PRODUCTS AND ACCESSORIES PROVIDED BY CASCADIA MUST BE CONFIRMED FOR SPECIFIC PROJECTS.

CASCADIA WINDOWS LTD.  
#101-5350 275TH STREET  
LANGLEY, BC, CANADA V4W 0C1

DRAWING  
TITLE:

UNIVERSAL SERIES - OUTSWING DOOR  
PRODUCT DRAWING

DRAWING NO.:

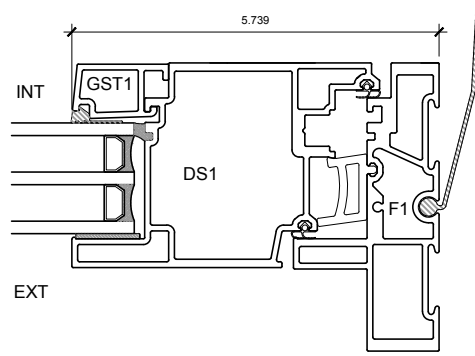
D-2.01

SCALE: 4" = 1'-0"

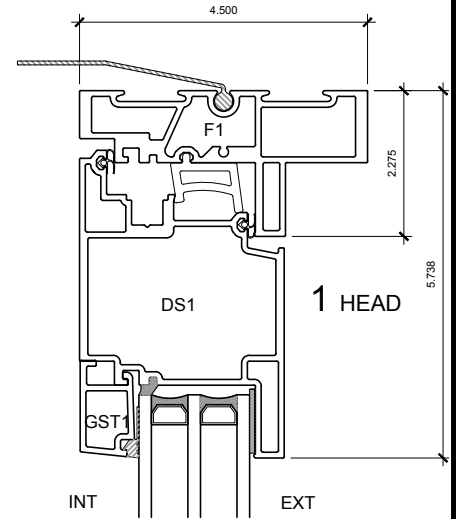
PATENTED

DATE: 18 JUNE, 2018

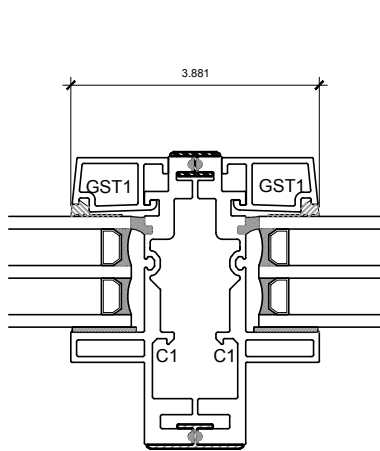
DRAWN BY: CP



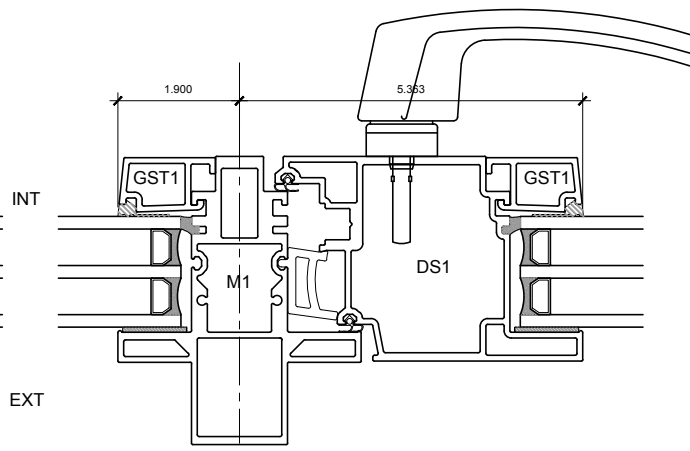
3 OPERABLE JAMB



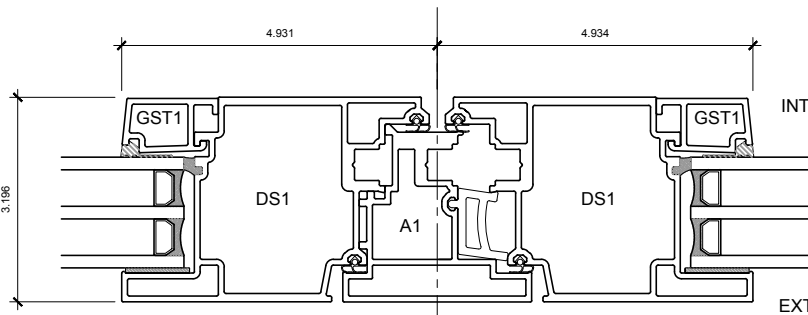
1 HEAD



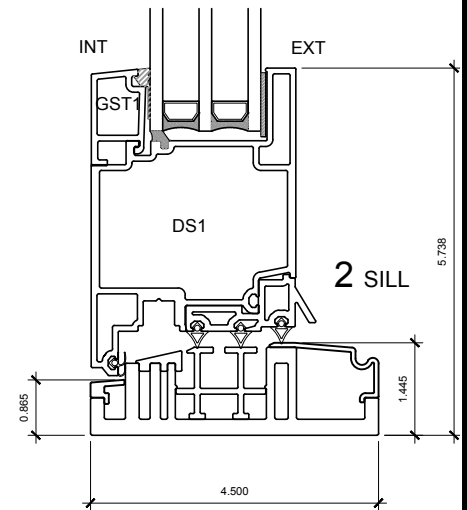
5 COUPLED MULLION



4 MULLION



6 ASTRAGAL



2 SILL

PATENTED

NOTE: THIS DRAFT DETAIL IS FOR GENERAL ARRANGEMENT PURPOSES ONLY, AND DOES NOT NECESSARILY REPRESENT A DETAIL THAT IS APPROPRIATE FOR A SPECIFIC PROJECT. PRODUCTS AND ACCESSORIES PROVIDED BY CASCADIA MUST BE CONFIRMED FOR SPECIFIC PROJECTS.

CASCADIA WINDOWS LTD.  
#101-5350 275TH STREET  
LANGLEY, BC, CANADA V4W 0C1

DRAWING  
TITLE:

UNIVERSAL SERIES - INSWING DOOR  
PRODUCT DRAWING

DRAWING NO.:

D-2.02

SCALE: 4" = 1'-0"

PATENTED

DATE: 18 JUNE, 2018

DRAWN BY: CP