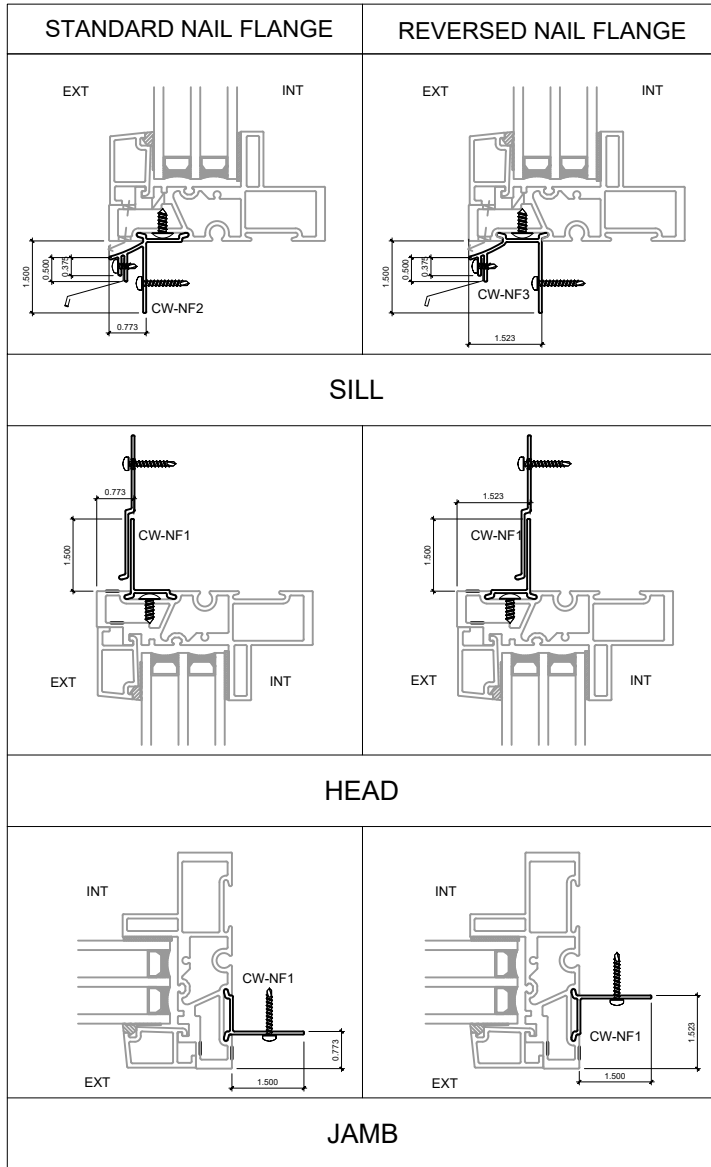
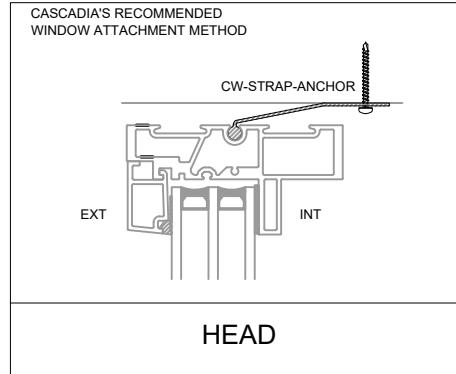


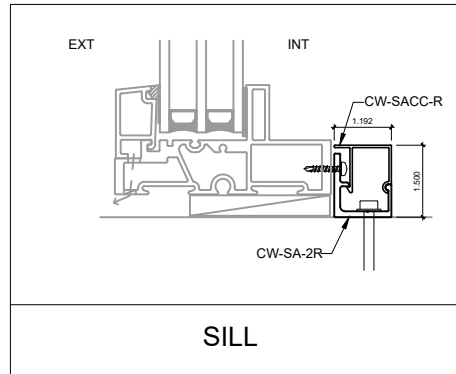
NAIL FLANGE



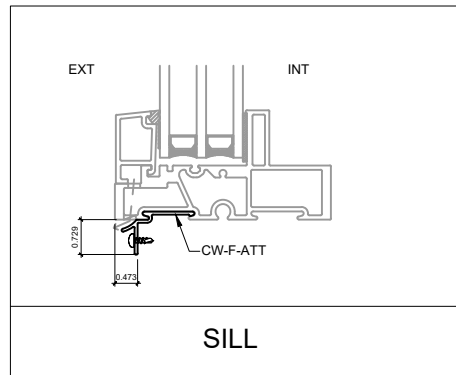
STRAP ANCHOR



SILL ANGLE AND COVER CAP



FLASHING ATTACHMENT ANGLE



UNIVERSAL SERIES EXTERIOR GLAZED AND OUTSWING WINDOWS

NOTE: THIS DRAFT DETAIL IS FOR GENERAL ARRANGEMENT PURPOSES ONLY, AND DOES NOT NECESSARILY REPRESENT A DETAIL THAT IS APPROPRIATE FOR A SPECIFIC PROJECT. PRODUCTS AND ACCESSORIES PROVIDED BY CASCADIA MUST BE CONFIRMED FOR SPECIFIC PROJECTS.

CASCADIA WINDOWS LTD.
#101-5350 275TH STREET
LANGLEY, BC, CANADA V4W 0C1

DRAWING TITLE: **UNIVERSAL SERIES © ACCESSORIES**
STRAP ANCHOR, NAIL FLANGE, FLASHING ATTACHMENT ANGLE,
SILL ANGLE AND COVER CAP

DRAWING NO.: **1.01**

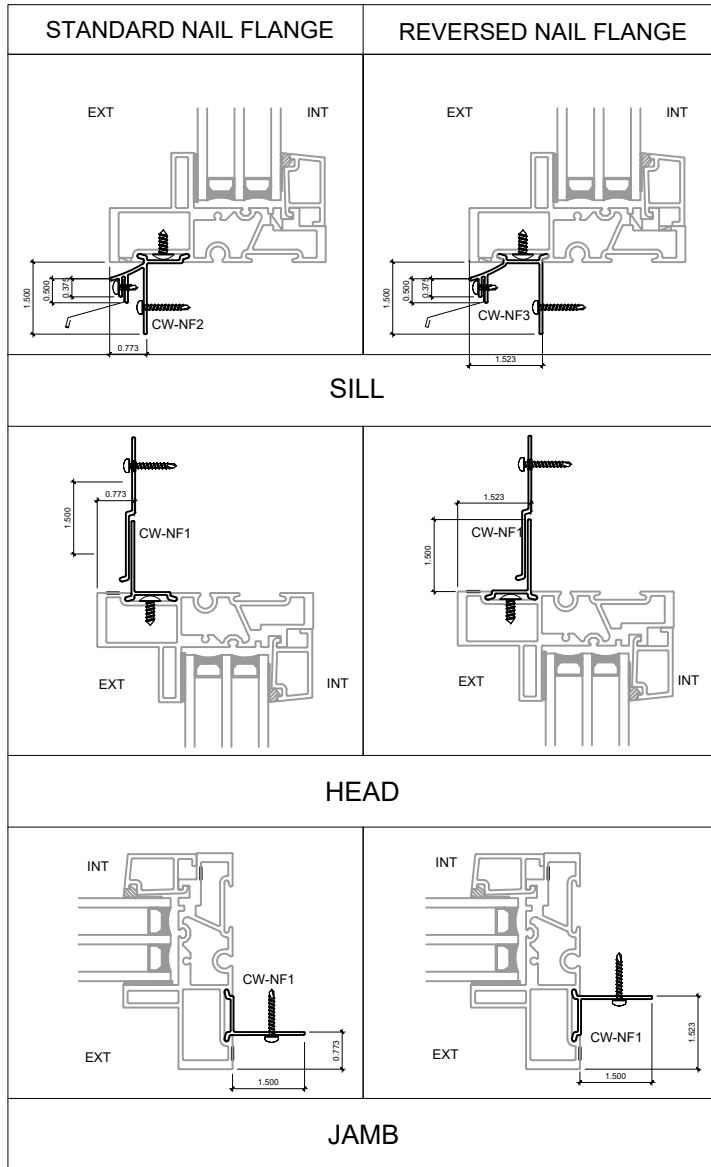
SCALE: 3" = 1'-0"

PATENTED

DATE: JUNE 24, 2021

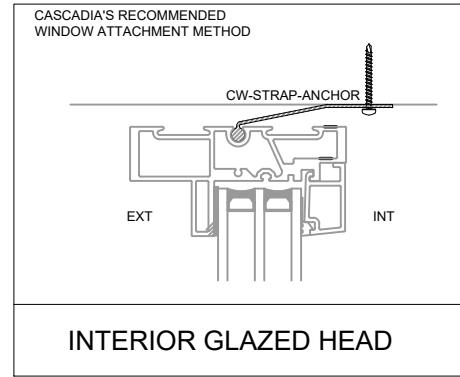
DRAWN BY: AP

NAIL FLANGE

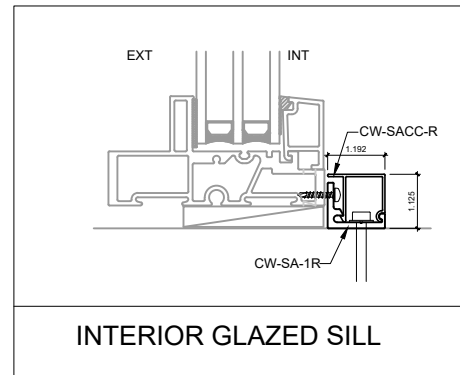


UNIVERSAL SERIES INTERIOR GLAZED AND INSWING WINDOWS

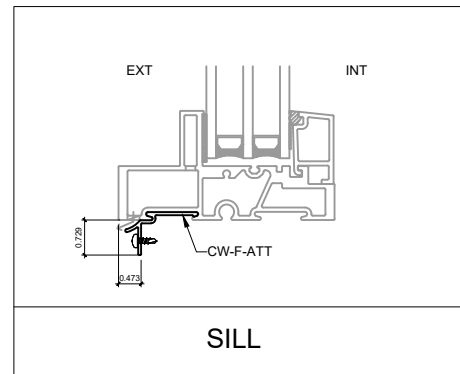
STRAP ANCHOR



SILL ANGLE AND COVER CAP



FLASHING ATTACHMENT ANGLE



NOTE: THIS DRAFT DETAIL IS FOR GENERAL ARRANGEMENT PURPOSES ONLY, AND DOES NOT NECESSARILY REPRESENT A DETAIL THAT IS APPROPRIATE FOR A SPECIFIC PROJECT. PRODUCTS AND ACCESSORIES PROVIDED BY CASCADIA MUST BE CONFIRMED FOR SPECIFIC PROJECTS.

CASCADIA WINDOWS LTD.
#101-5350 275TH STREET
LANGLEY, BC, CANADA V4W 0C1

DRAWING TITLE: **UNIVERSAL SERIES ® ACCESSORIES**
STRAP ANCHOR, NAIL FLANGE, FLASHING ATTACHMENT ANGLE,
SILL ANGLE AND COVER CAP

DRAWING NO.: **1.02**

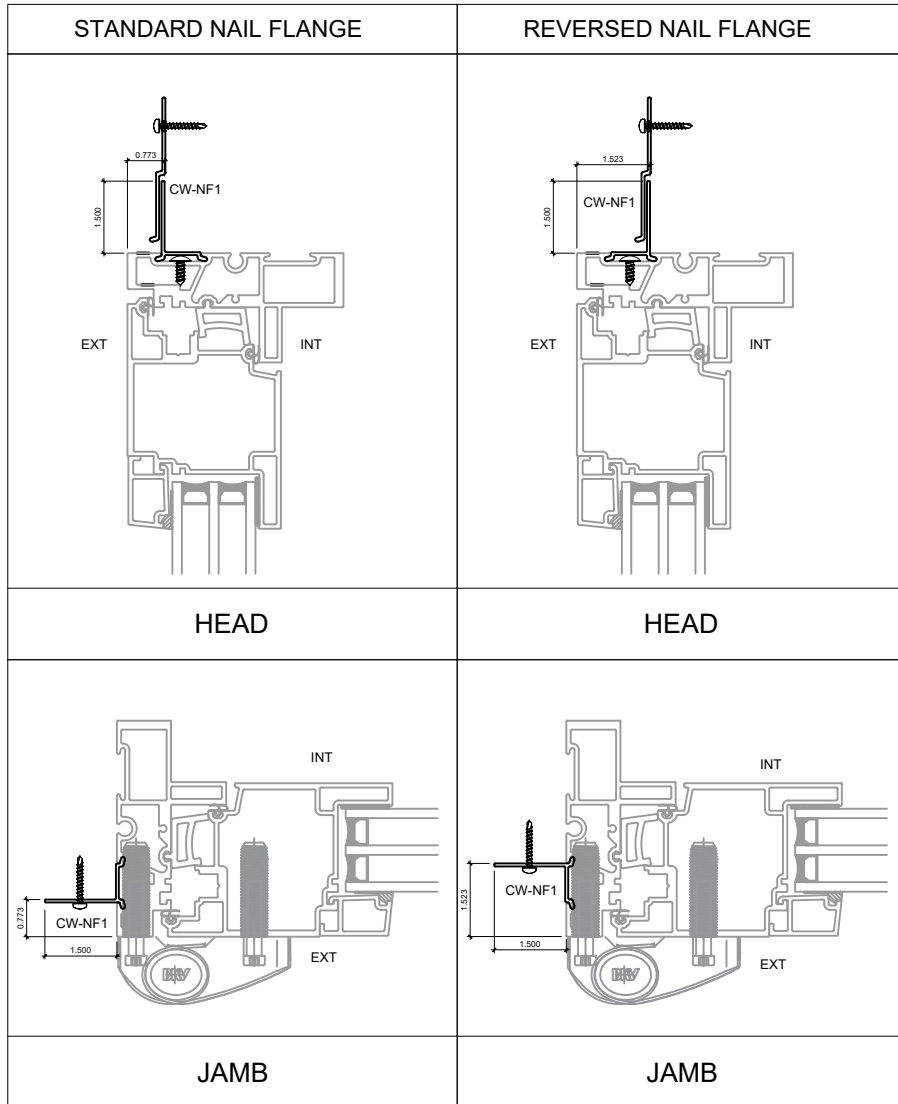
SCALE: 3" = 1'-0"

PATENTED

DATE: JUNE 24, 2021

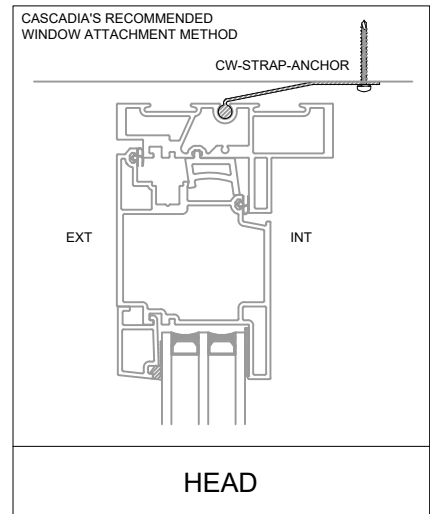
DRAWN BY: AP

NAIL FLANGE

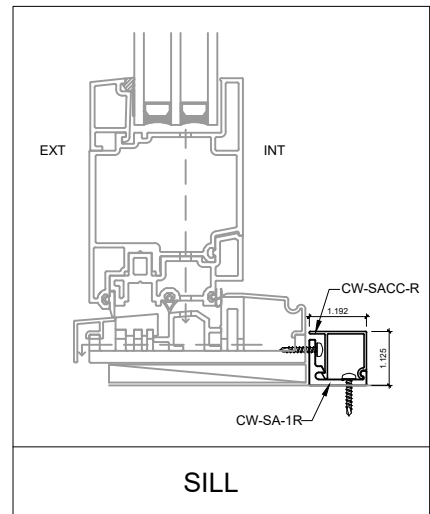


UNIVERSAL SERIES OUTSWING DOORS

STRAP ANCHOR



SILL ANGLE AND COVER CAP



FLASHING ATTACHMENT ANGLE & SILL NAIL FLANGE IS NOT AVAILABLE FOR UNIVERSAL DOORS

NOTE: THIS DRAFT DETAIL IS FOR GENERAL ARRANGEMENT PURPOSES ONLY, AND DOES NOT NECESSARILY REPRESENT A DETAIL THAT IS APPROPRIATE FOR A SPECIFIC PROJECT. PRODUCTS AND ACCESSORIES PROVIDED BY CASCADIA MUST BE CONFIRMED FOR SPECIFIC PROJECTS.

CASCADIA WINDOWS LTD.
#101-5350 275TH STREET
LANGLEY, BC, CANADA V4W 0C1

DRAWING TITLE:

UNIVERSAL SERIES © ACCESSORIES
STRAP ANCHOR, NAIL FLANGE, SILL ANGLE AND COVER CAP

DRAWING NO.:

1.03

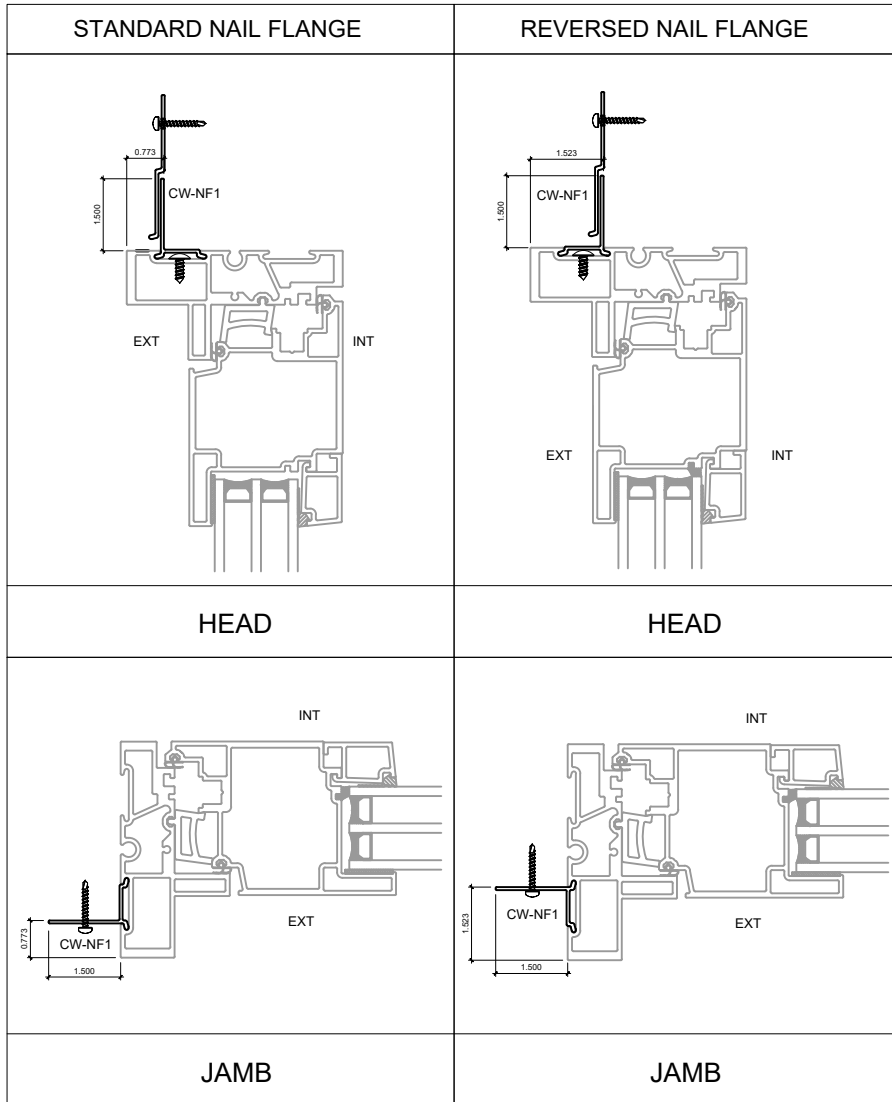
SCALE: 3" = 1'-0"

PATENTED

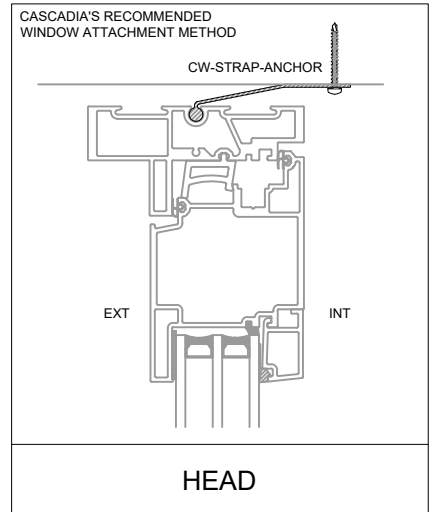
DATE: JUNE 24, 2021

DRAWN BY: AP

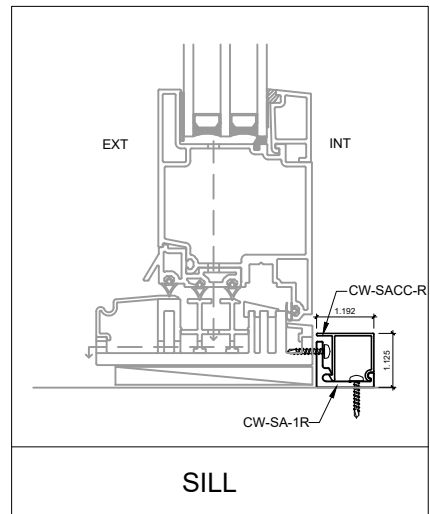
NAIL FLANGE



STRAP ANCHOR



SILL ANGLE AND COVER CAP



UNIVERSAL SERIES IN SWING DOORS

FLASHING ATTACHMENT ANGLE & SILL NAIL FLANGE IS NOT AVAILABLE FOR UNIVERSAL DOORS

NOTE: THIS DRAFT DETAIL IS FOR GENERAL ARRANGEMENT PURPOSES ONLY, AND DOES NOT NECESSARILY REPRESENT A DETAIL THAT IS APPROPRIATE FOR A SPECIFIC PROJECT. PRODUCTS AND ACCESSORIES PROVIDED BY CASCADIA MUST BE CONFIRMED FOR SPECIFIC PROJECTS.

CASCADIA WINDOWS LTD. #101-5350 275TH STREET LANGLEY, BC, CANADA V4W 0C1	DRAWING TITLE: UNIVERSAL SERIES © ACCESSORIES STRAP ANCHOR, NAIL FLANGE, SILL ANGLE AND COVER CAP	DRAWING NO.: 1.04
	SCALE: 3" = 1'-0"	PATENTED
		DRAWN BY: AP