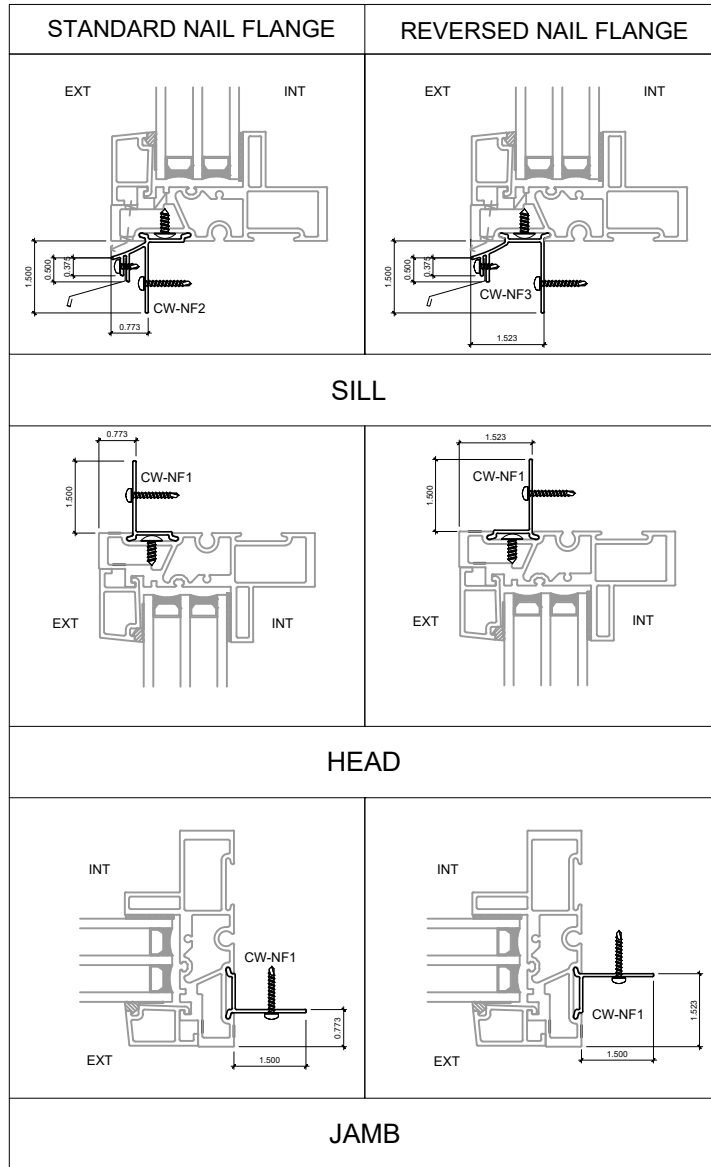
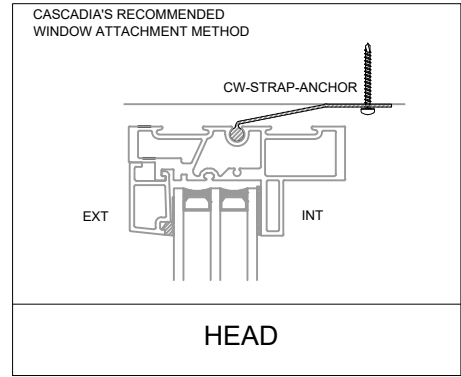


## NAIL FLANGE

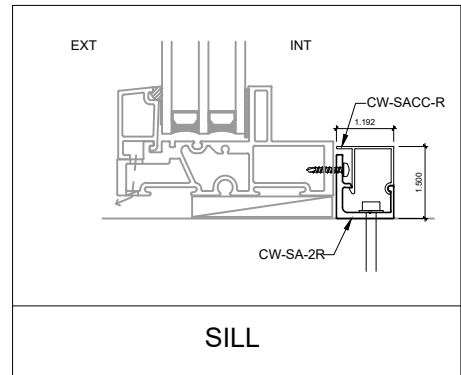


# UNIVERSAL SERIES EXTERIOR GLAZED AND OUTSWING WINDOWS

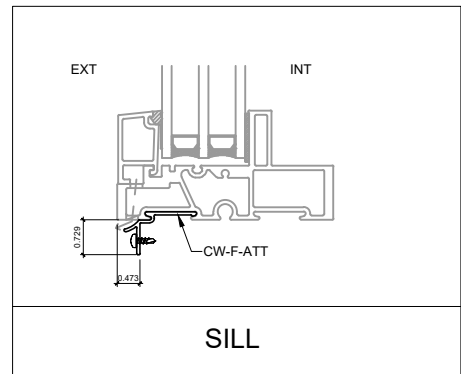
## STRAP ANCHOR



## SILL ANGLE AND COVER CAP



## FLASHING ATTACHMENT ANGLE



**NOTE:** THIS DRAFT DETAIL IS FOR GENERAL ARRANGEMENT PURPOSES ONLY, AND DOES NOT NECESSARILY REPRESENT A DETAIL THAT IS APPROPRIATE FOR A SPECIFIC PROJECT. PRODUCTS AND ACCESSORIES PROVIDED BY CASCADIA MUST BE CONFIRMED FOR SPECIFIC PROJECTS.

CASCADIA WINDOWS LTD.  
#101-5350 275TH STREET  
LANGLEY, BC, CANADA V4W 0C1

DRAWING  
TITLE:

UNIVERSAL SERIES © ACCESSORIES  
STRAP ANCHOR, NAIL FLANGE, FLASHING ATTACHMENT ANGLE,  
SILL ANGLE AND COVER CAP

DRAWING NO.:

1.01

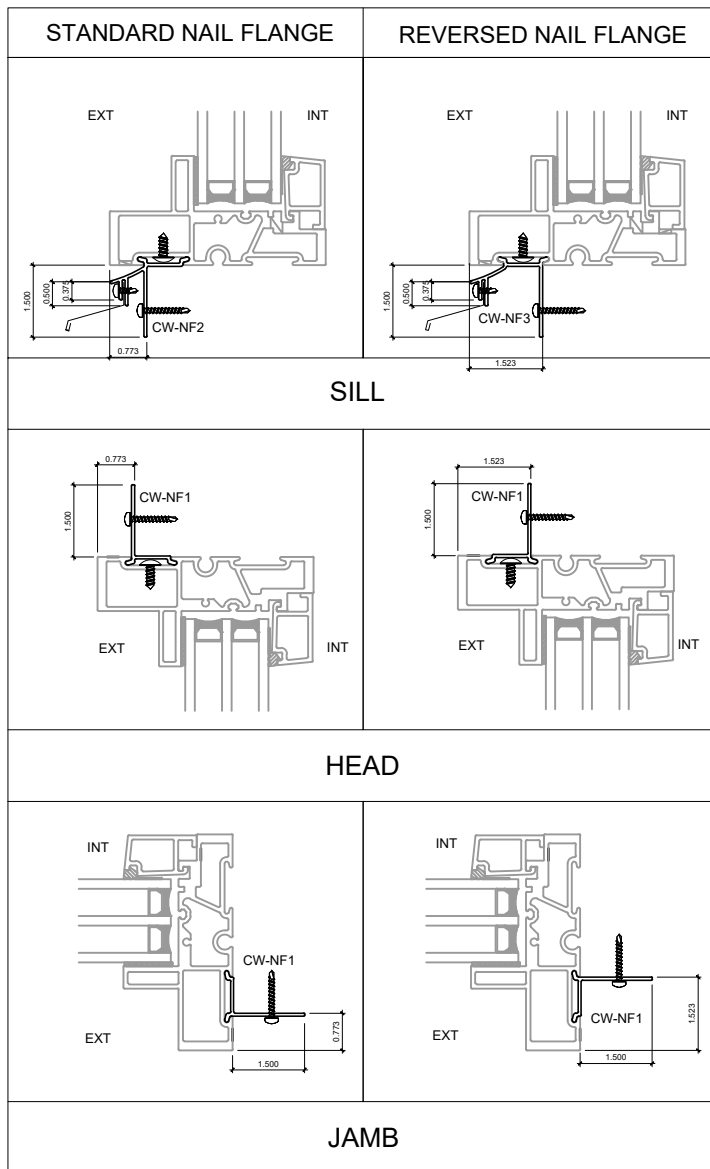
SCALE: 3" = 1'-0"

PATENTED

DATE: 19 DECEMBER, 2018

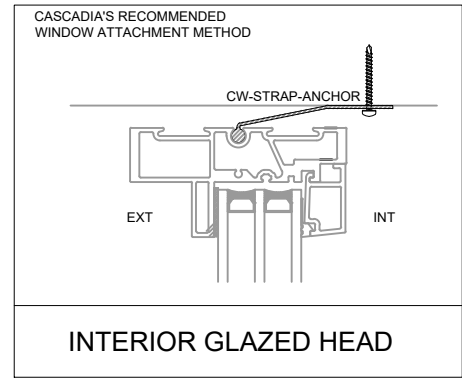
DRAWN BY: JT

## NAIL FLANGE

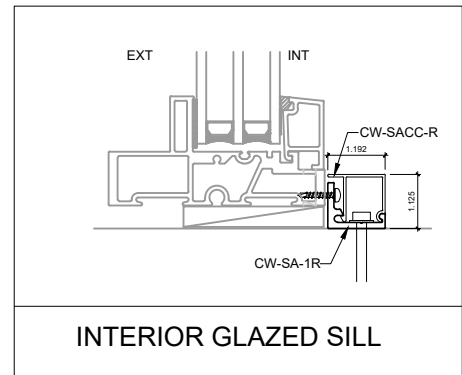


## UNIVERSAL SERIES INTERIOR GLAZED AND INSWING WINDOWS

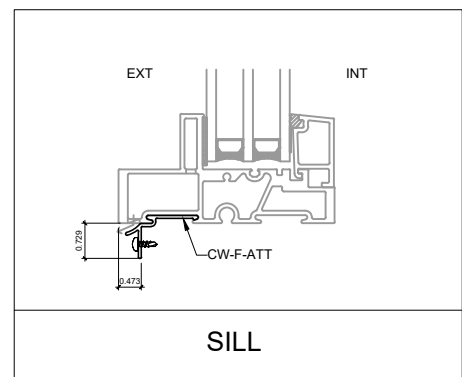
## STRAP ANCHOR



## SILL ANGLE AND COVER CAP



## FLASHING ATTACHMENT ANGLE



**NOTE:** THIS DRAFT DETAIL IS FOR GENERAL ARRANGEMENT PURPOSES ONLY, AND DOES NOT NECESSARILY REPRESENT A DETAIL THAT IS APPROPRIATE FOR A SPECIFIC PROJECT. PRODUCTS AND ACCESSORIES PROVIDED BY CASCADIA MUST BE CONFIRMED FOR SPECIFIC PROJECTS.

CASCADIA WINDOWS LTD.  
#101-5350 275TH STREET  
LANGLEY, BC, CANADA V4W 0C1

DRAWING  
TITLE:

UNIVERSAL SERIES © ACCESSORIES  
STRAP ANCHOR, NAIL FLANGE, FLASHING ATTACHMENT ANGLE,  
SILL ANGLE AND COVER CAP

DRAWING NO.:

1.02

SCALE: 3" = 1'-0"

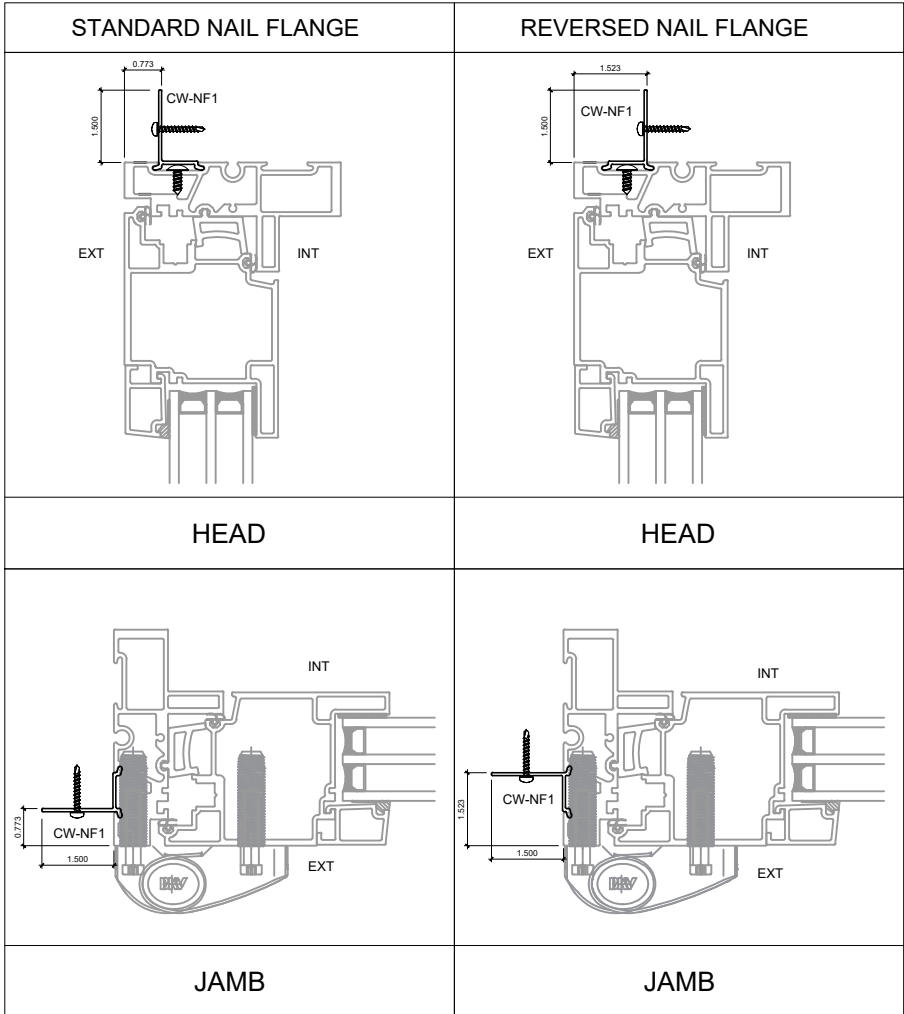
PATENTED

DATE: 19 DECEMBER, 2018

DRAWN BY:

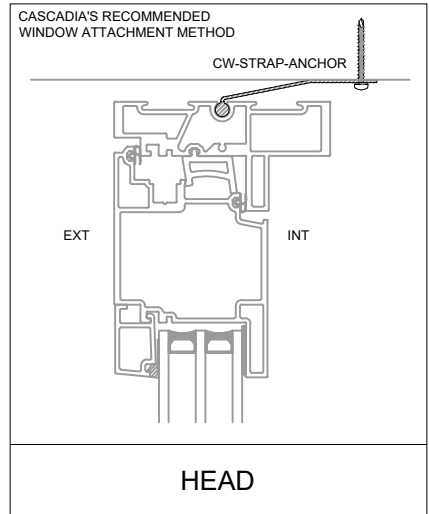
JT

# NAIL FLANGE

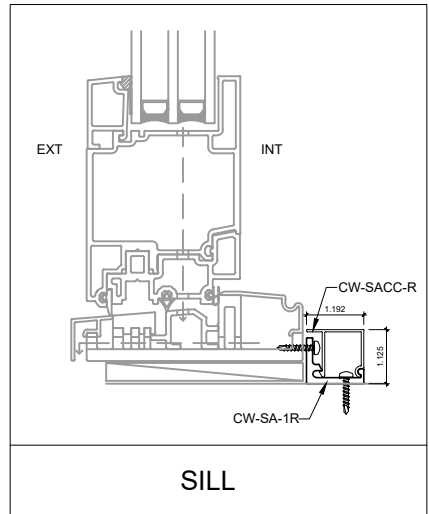


# UNIVERSAL SERIES OUTSWING DOORS

# STRAP ANCHOR



# SILL ANGLE AND COVER CAP

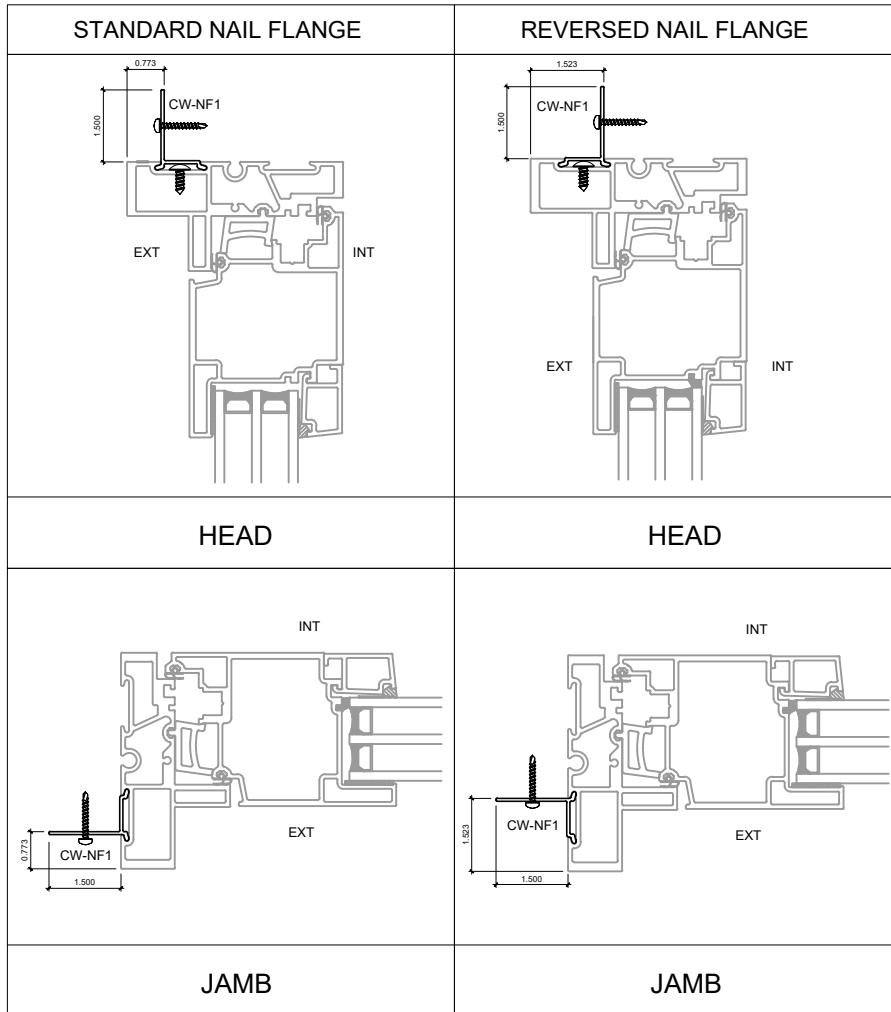


FLASHING ATTACHMENT ANGLE & SILL NAIL FLANGE IS NOT AVAILABLE FOR UNIVERSAL DOORS

**NOTE:** THIS DRAFT DETAIL IS FOR GENERAL ARRANGEMENT PURPOSES ONLY, AND DOES NOT NECESSARILY REPRESENT A DETAIL THAT IS APPROPRIATE FOR A SPECIFIC PROJECT. PRODUCTS AND ACCESSORIES PROVIDED BY CASCADIA MUST BE CONFIRMED FOR SPECIFIC PROJECTS.

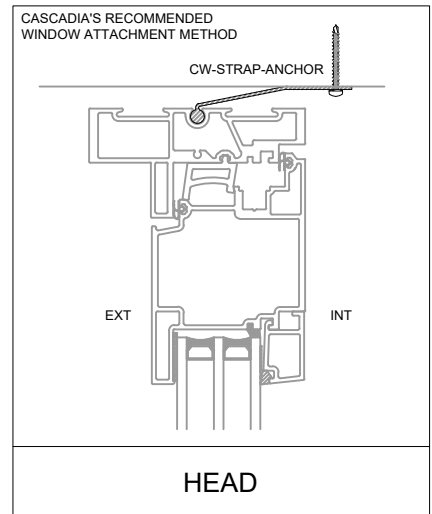
<b>CASCADIA WINDOWS LTD.</b> #101-5350 275TH STREET LANGLEY, BC, CANADA V4W 0C1	DRAWING TITLE: <b>UNIVERSAL SERIES © ACCESSORIES</b> STRAP ANCHOR, NAIL FLANGE, SILL ANGLE AND COVER CAP		DRAWING NO.: <b>1.03</b>
	SCALE: 3" = 1'-0"	PATENTED	DATE: 19 DECEMBER, 2018

## NAIL FLANGE

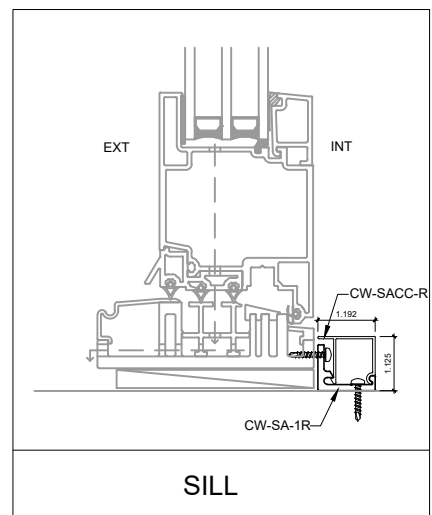


## UNIVERSAL SERIES INSWING DOORS

## STRAP ANCHOR



## SILL ANGLE AND COVER CAP



FLASHING ATTACHMENT ANGLE & SILL NAIL FLANGE IS NOT AVAILABLE FOR UNIVERSAL DOORS

**NOTE:** THIS DRAFT DETAIL IS FOR GENERAL ARRANGEMENT PURPOSES ONLY, AND DOES NOT NECESSARILY REPRESENT A DETAIL THAT IS APPROPRIATE FOR A SPECIFIC PROJECT. PRODUCTS AND ACCESSORIES PROVIDED BY CASCADIA MUST BE CONFIRMED FOR SPECIFIC PROJECTS.

CASCADIA WINDOWS LTD.  
#101-5350 275TH STREET  
LANGLEY, BC, CANADA V4W 0C1

DRAWING  
TITLE:

UNIVERSAL SERIES © ACCESSORIES  
STRAP ANCHOR, NAIL FLANGE, SILL ANGLE AND COVER CAP

DRAWING NO.:

1.04

SCALE: 3" = 1'-0"

PATENTED

DATE: 19 DECEMBER, 2018

DRAWN BY:

JT