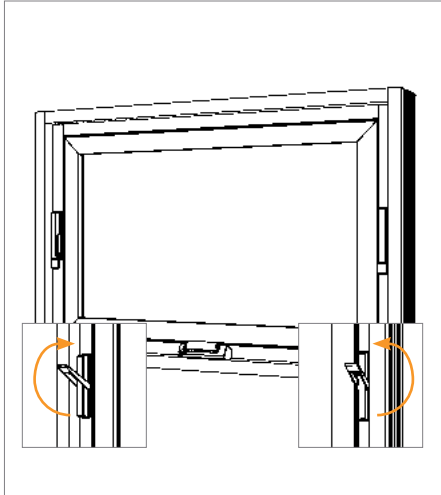


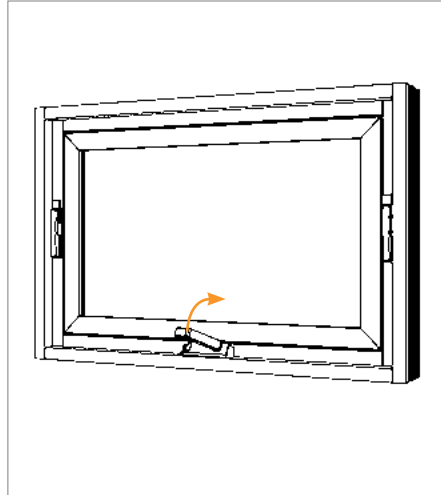
UNIVERSAL SERIES™

Operation Guide - Awning Window

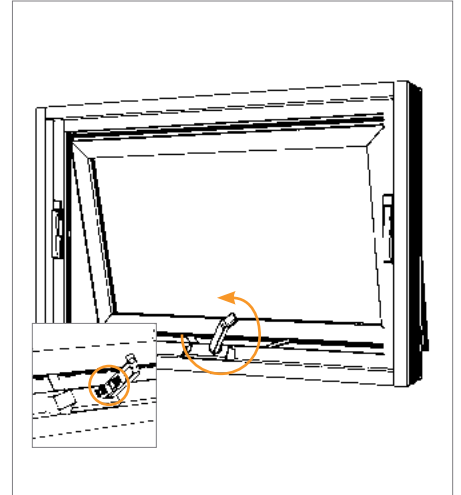
OPENING THE WINDOW



1. Lift window locks to up position.

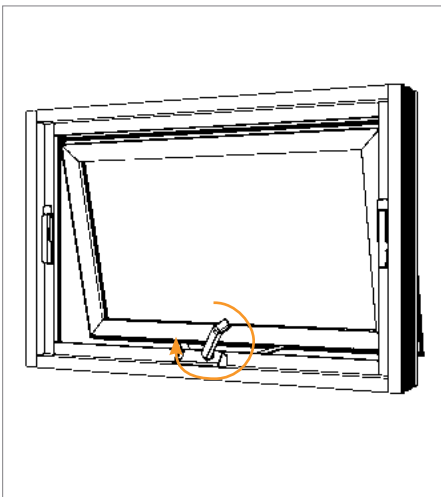


2. Lift operator arm.

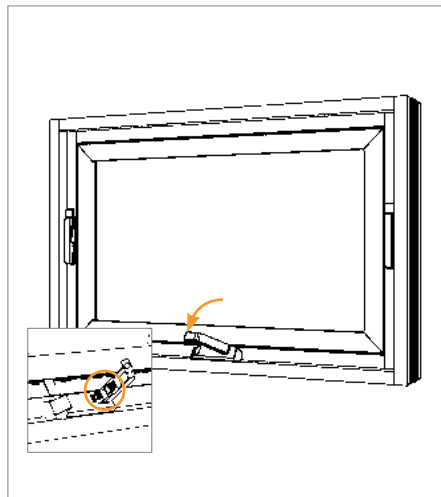


3. Spin operator counter clockwise. Once open, press release tab at base of operator arm to lower.

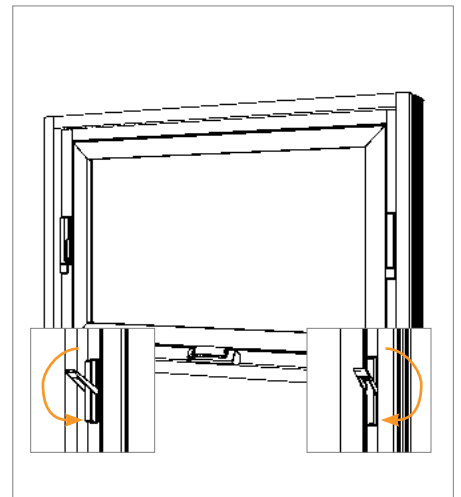
CLOSING THE WINDOW



1. Lift operator arm. Spin operator clockwise.



2. Press release tab at the base of the operator arm. Lower operator arm.



3. Lower window locks to down position.