

CASCADIA CLIP®

ADJUSTABILITY GUIDE

The Cascadia Clip® fiberglass thermal spacer allows architects and specifiers to design thinner, lighter and more cost-effective exterior cladding solutions, while at the same time drastically improving a building's overall energy performance.

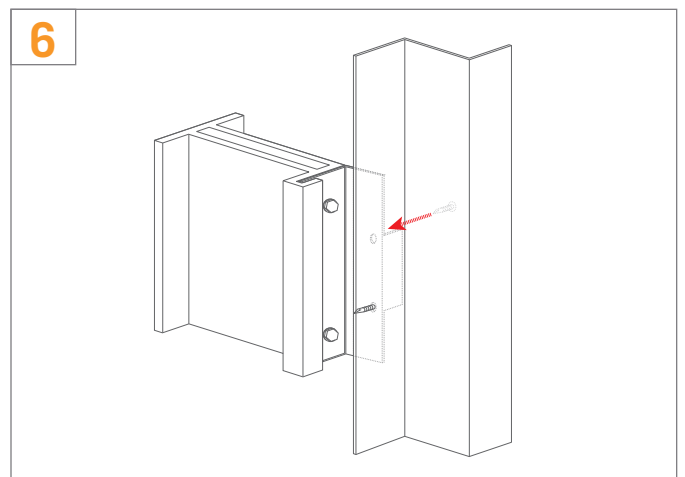
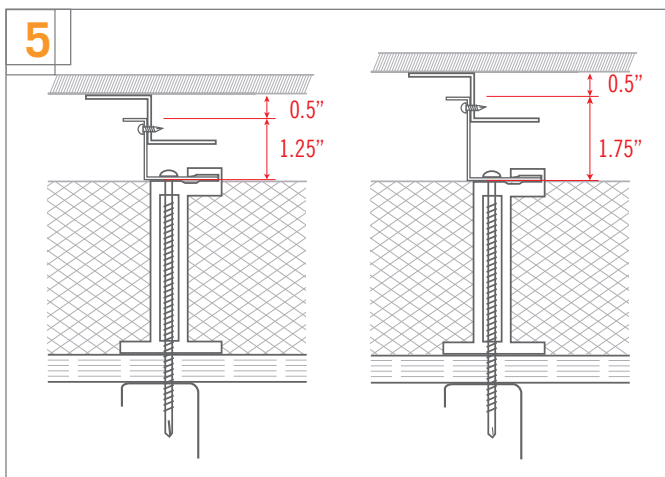
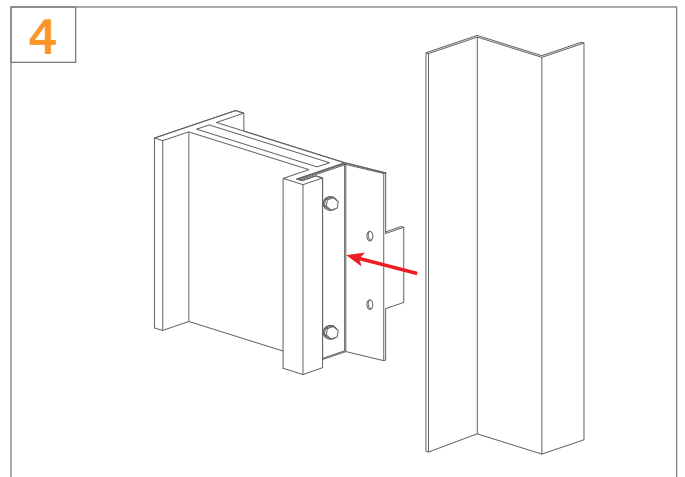
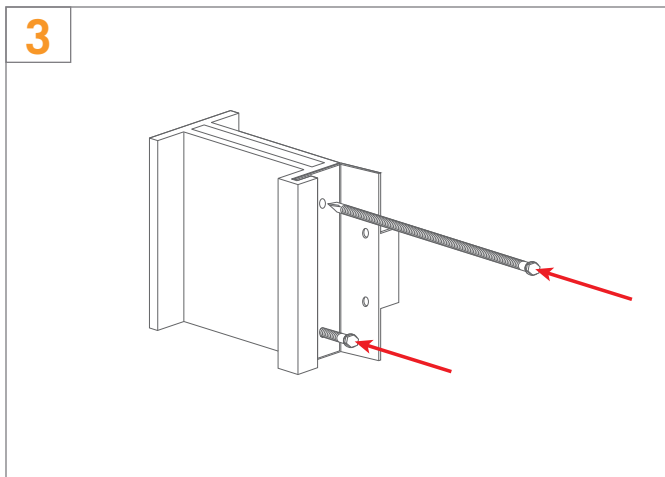
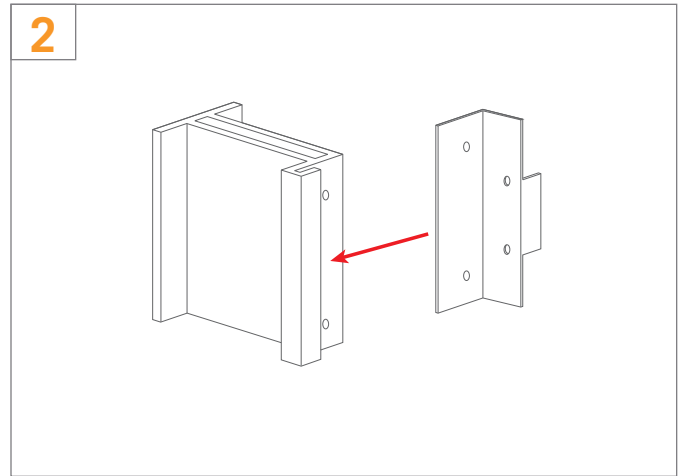
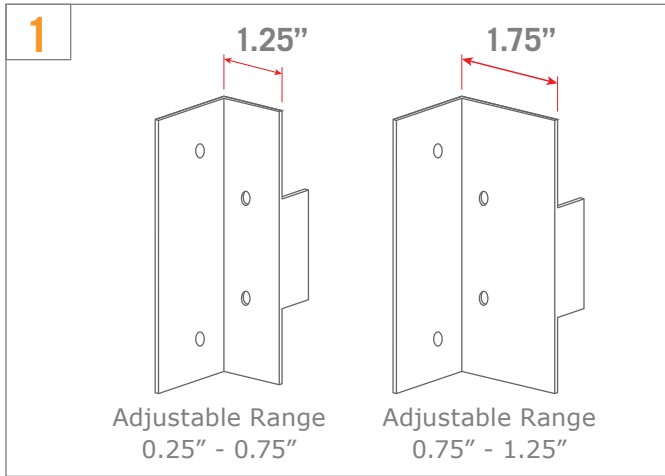
The fully adjustable, the Cascadia Clip® can be used with steel frame, concrete and wood back-up walls, in combustible and non-combustible buildings. Compatible with z-girt and hat-track cladding systems, Cascadia's 8 different clip sizes are fully adjustable allowing for fast and easy installation.

This guide offers information on how to adjust Cascadia Clips® in both horizontal (hat-tracks) and vertical (z-girt applications).

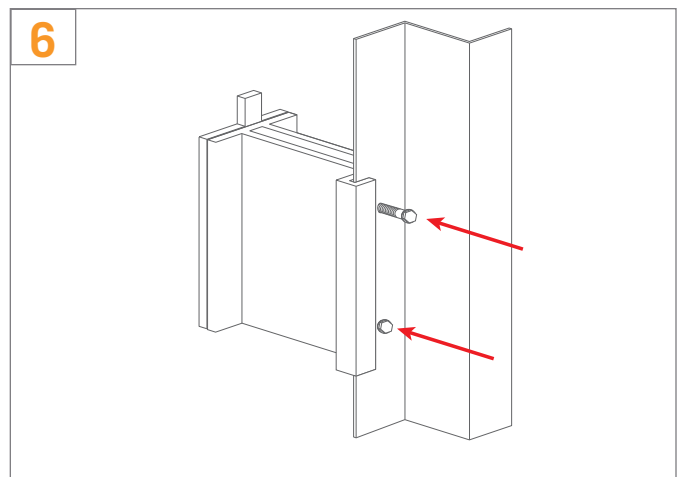
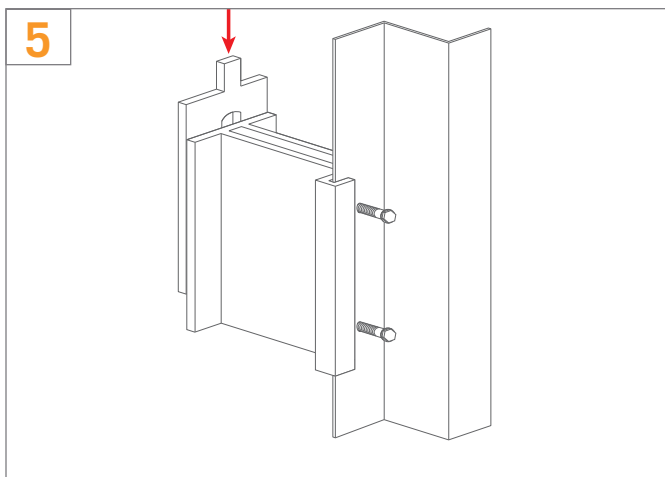
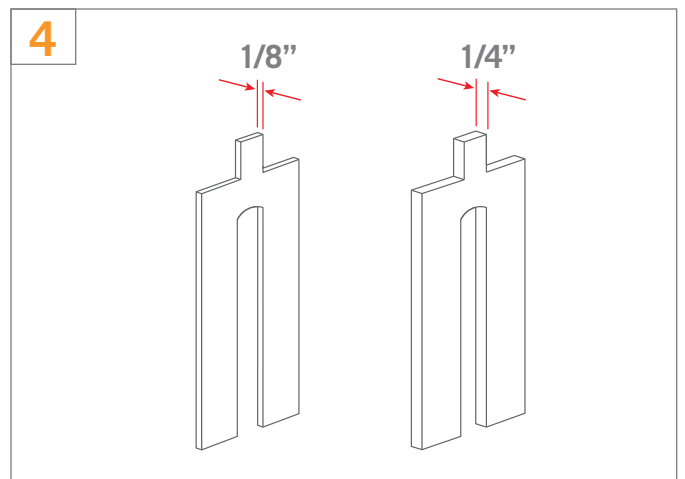
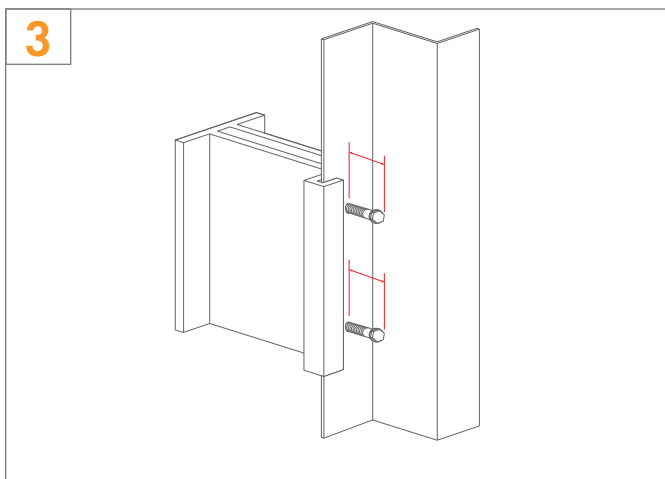
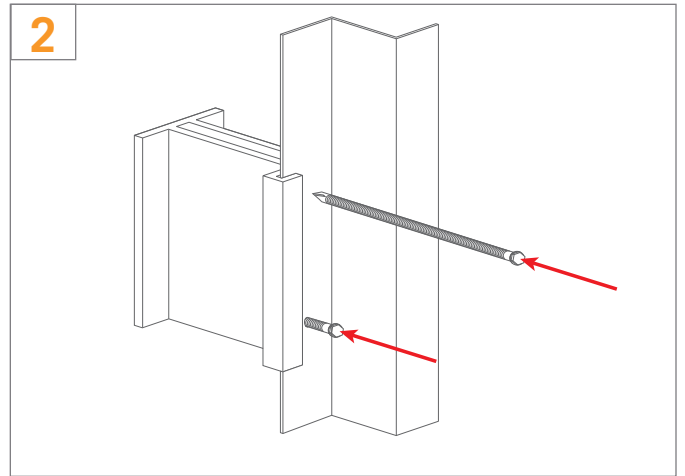
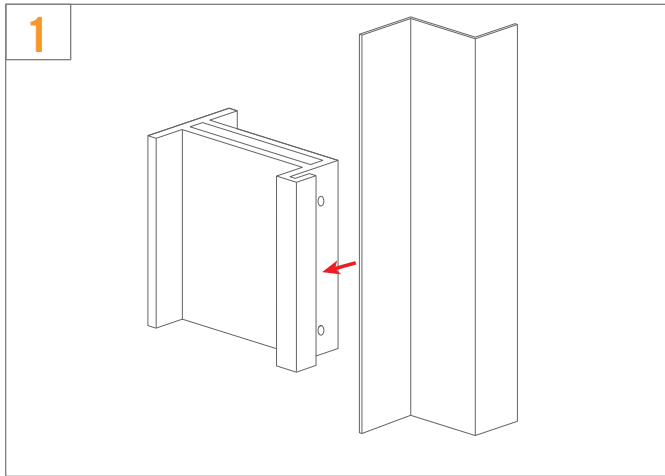
For complete architectural details for clip adjustments, please visit cascadiaclip.com



VERTICAL ADJUSTMENT GUIDE - BRACKET



VERTICAL ADJUSTMENT GUIDE - SHIMS



HORIZONTAL ADJUSTMENT GUIDE

