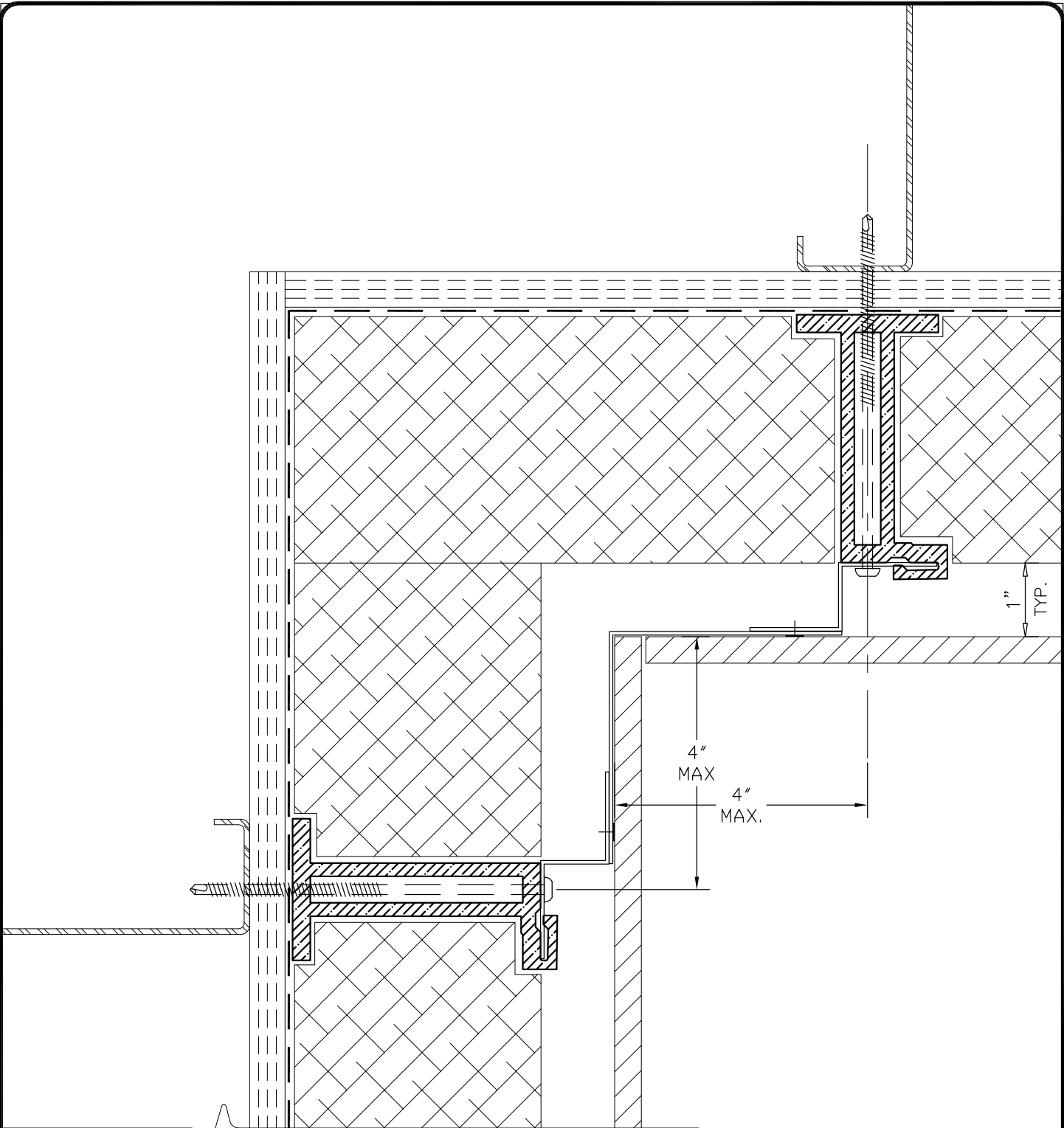


**CASCADIA WINDOWS LTD.**  
27050 BLUESHER WAY  
LANGLEY, BC CANADA, V4W 3Y5

PROJECT NAME: <b>FIBERGLASS THERMAL SPACER</b>			DRAWING NO.: 1.1
DRAWING TITLE: <b>HORIZONTAL WALL SECTION</b>			PROJECT NO.: <b>CFTS</b>
ISSUE	DESCRIPTION	DATE	SCALE: 1/2"=1"
1	VERSION 1	10 OCT., 2011	DATE: 10 OCT., 2011
2	VERSION 2	09 DEC., 2011	DRAWN BY: RLEE
3			CHECKED BY: -



**CASCADIA WINDOWS LTD.**  
 27050 OLIVER WAY  
 LANGLEY, BC CANADA, V4W 3Y5

PROJECT NAME:  
**FIBERGLASS THERMAL SPACER**

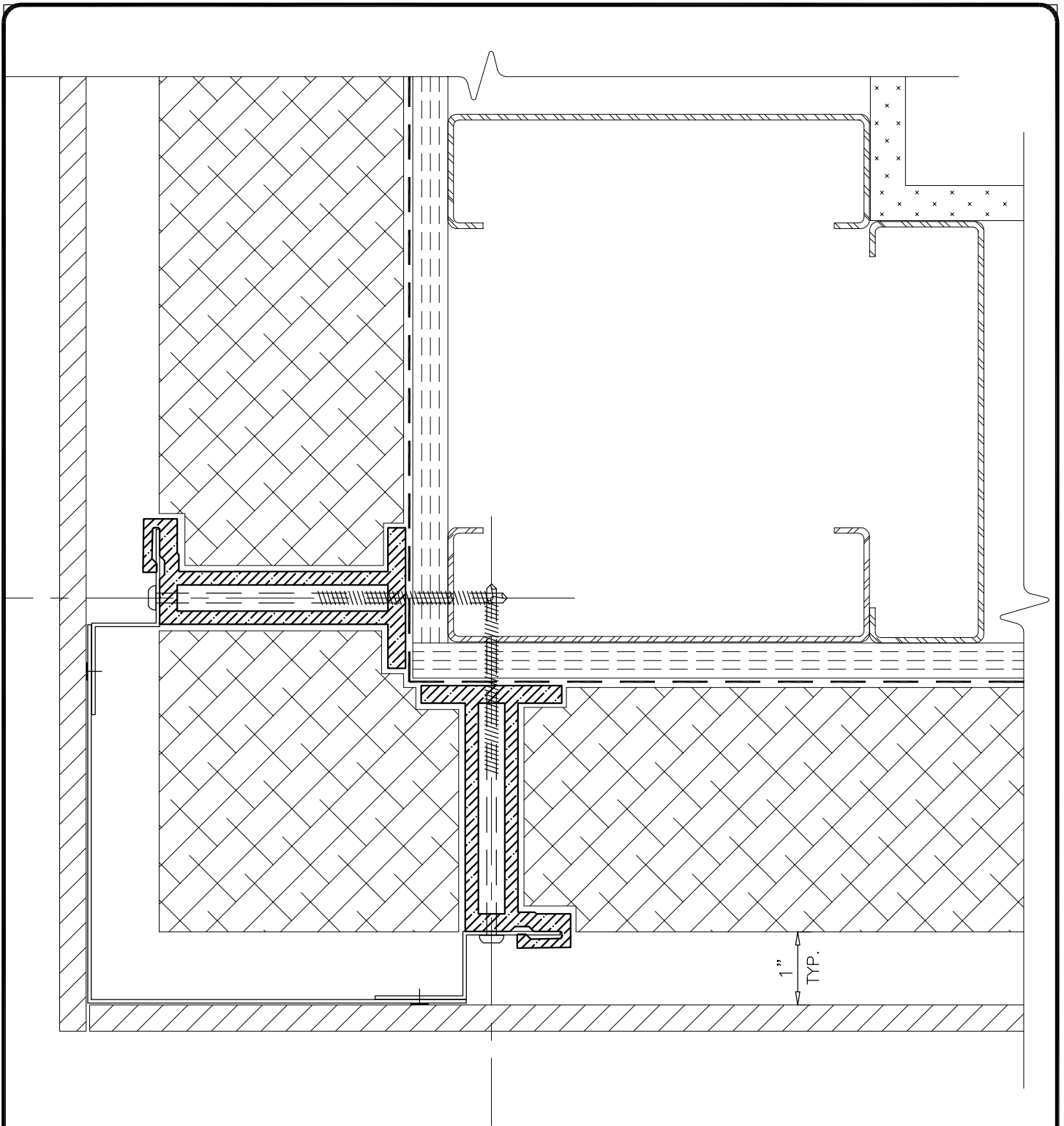
DRAWING NO.:  
 1.2

DRAWING TITLE:  
**INSIDE 90° CORNER**

PROJECT NO.:  
**CFTS**

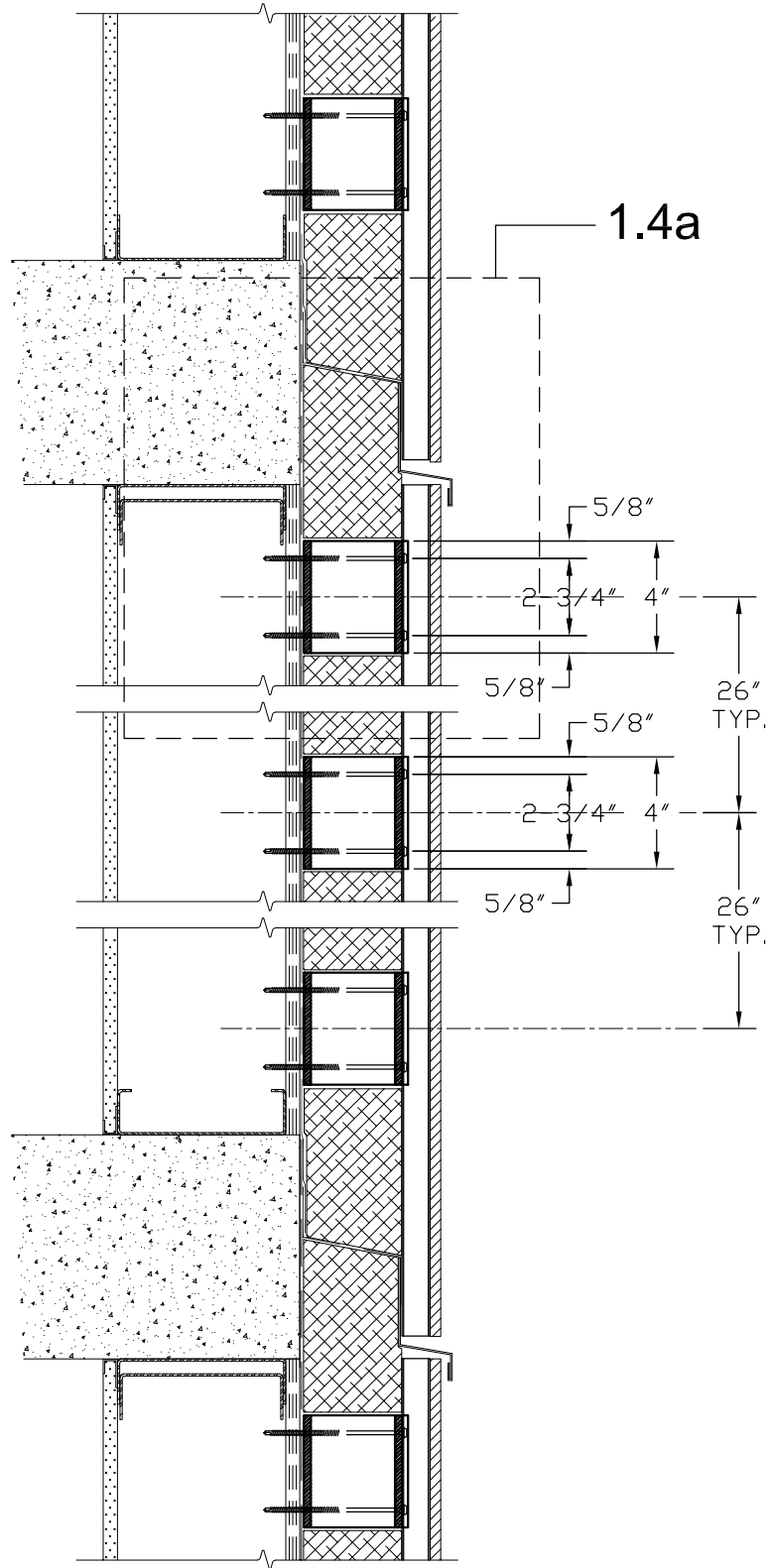
ISSUE	DESCRIPTION	DATE
1	VERSION 1	10 OCT., 2011
2	VERSION 2	09 DEC., 2011
3		

SCALE: 1/2"=1"  
 DATE: 10 OCT., 2011  
 DRAWN BY: RLEE  
 CHECKED BY: -



**CASCADIA WINDOWS LTD.**  
 27050 OLIVER WAY  
 LANGLEY, BC CANADA, V4W 3Y5

PROJECT NAME: <b>FIBERGLASS THERMAL SPACER</b>			DRAWING NO.: 1.3
DRAWING TITLE: <b>OUTSIDE 90° CORNER</b>			PROJECT NO.: <b>CFTS</b>
ISSUE	DESCRIPTION	DATE	SCALE: 1/2"=1"
1	VERSION 1	10 OCT., 2011	DATE: 10 OCT., 2011
2	VERSION 2	09 DEC., 2011	DRAWN BY: RLEE
3			CHECKED BY: -



**CASCADIA WINDOWS LTD.**  
 27050 OLIVER WAY  
 LANGLEY, BC CANADA, V4W 3Y5

PROJECT NAME:  
**FIBERGLASS THERMAL SPACER**

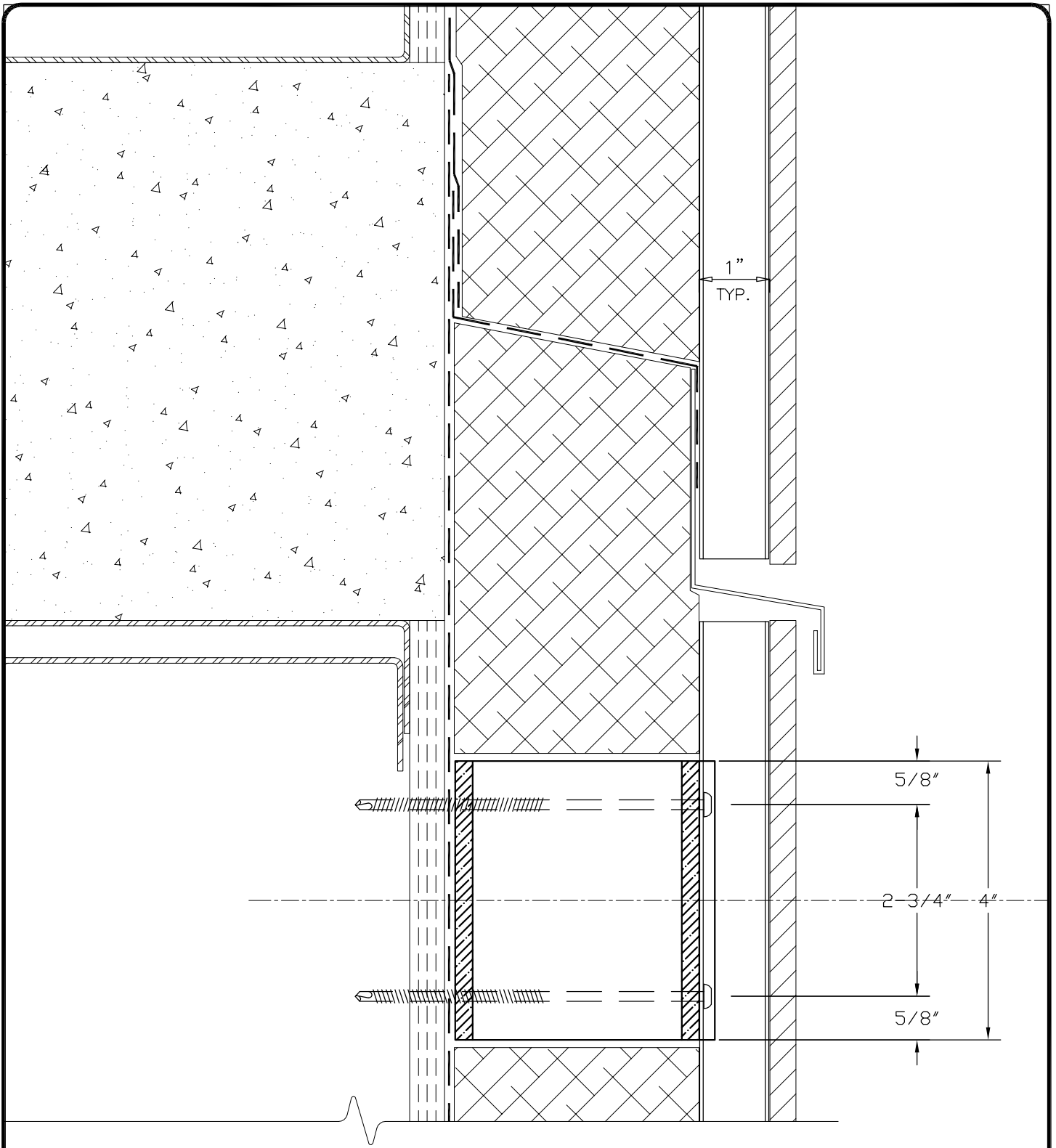
DRAWING NO.:  
 1.4

DRAWING TITLE:  
**VERTICAL WALL SECTION**

PROJECT NO.:  
**CFTS**

ISSUE	DESCRIPTION	DATE
1	VERSION 1	10 OCT., 2011
2	VERSION 2	09 DEC., 2011
3		

SCALE: N.T.S.  
 DATE: 10 OCT., 2011  
 DRAWN BY: RLEE  
 CHECKED BY: -



**CASCADIA WINDOWS LTD.**  
 27050 OLIVER WAY  
 LANGLEY, BC CANADA, V4W 3Y5

PROJECT NAME:  
**FIBERGLASS THERMAL SPACER**

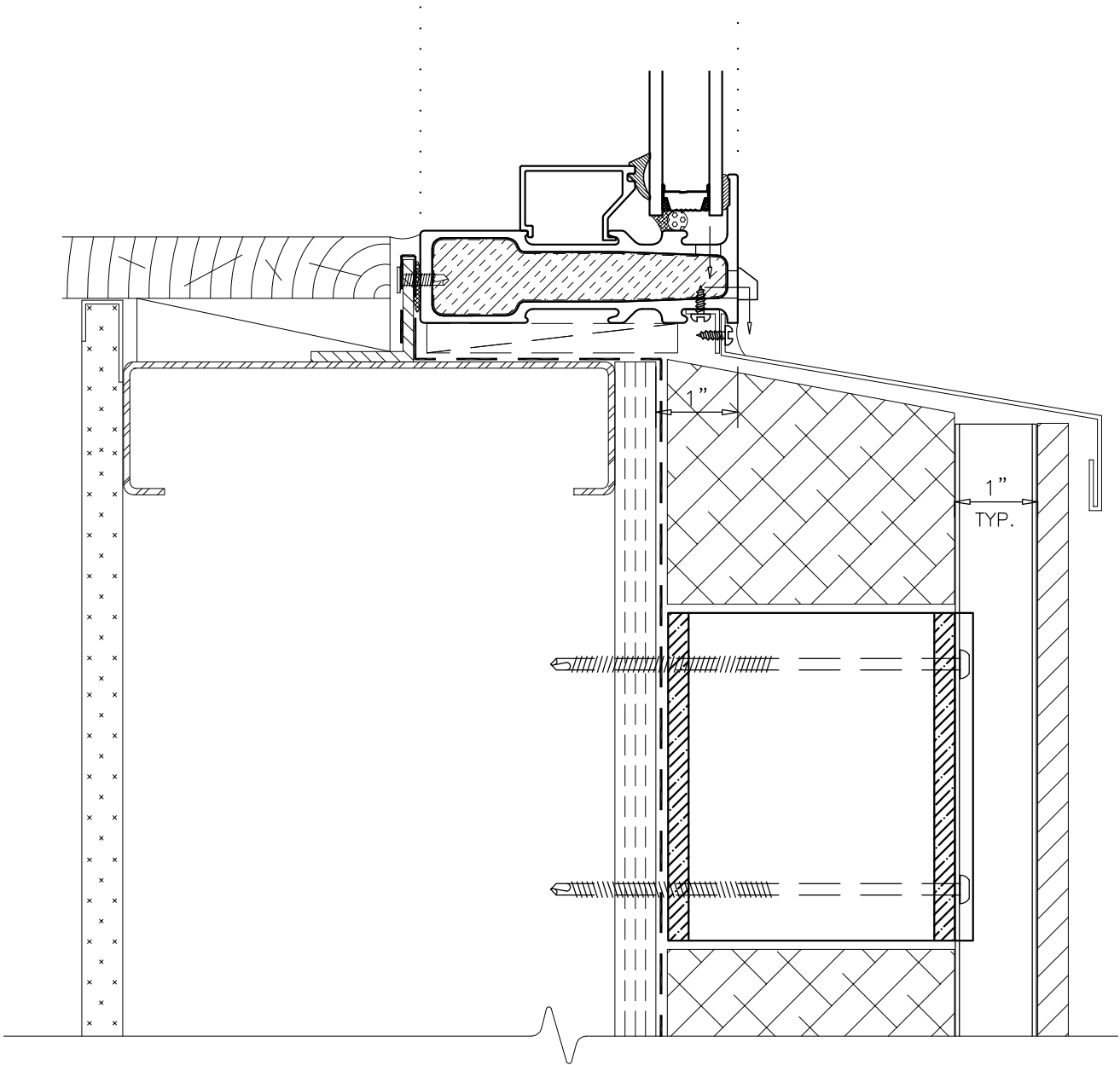
DRAWING NO.:  
 1.4a

DRAWING TITLE:  
**VERTICAL WALL SECTION**

PROJECT NO.:  
**CFTS**

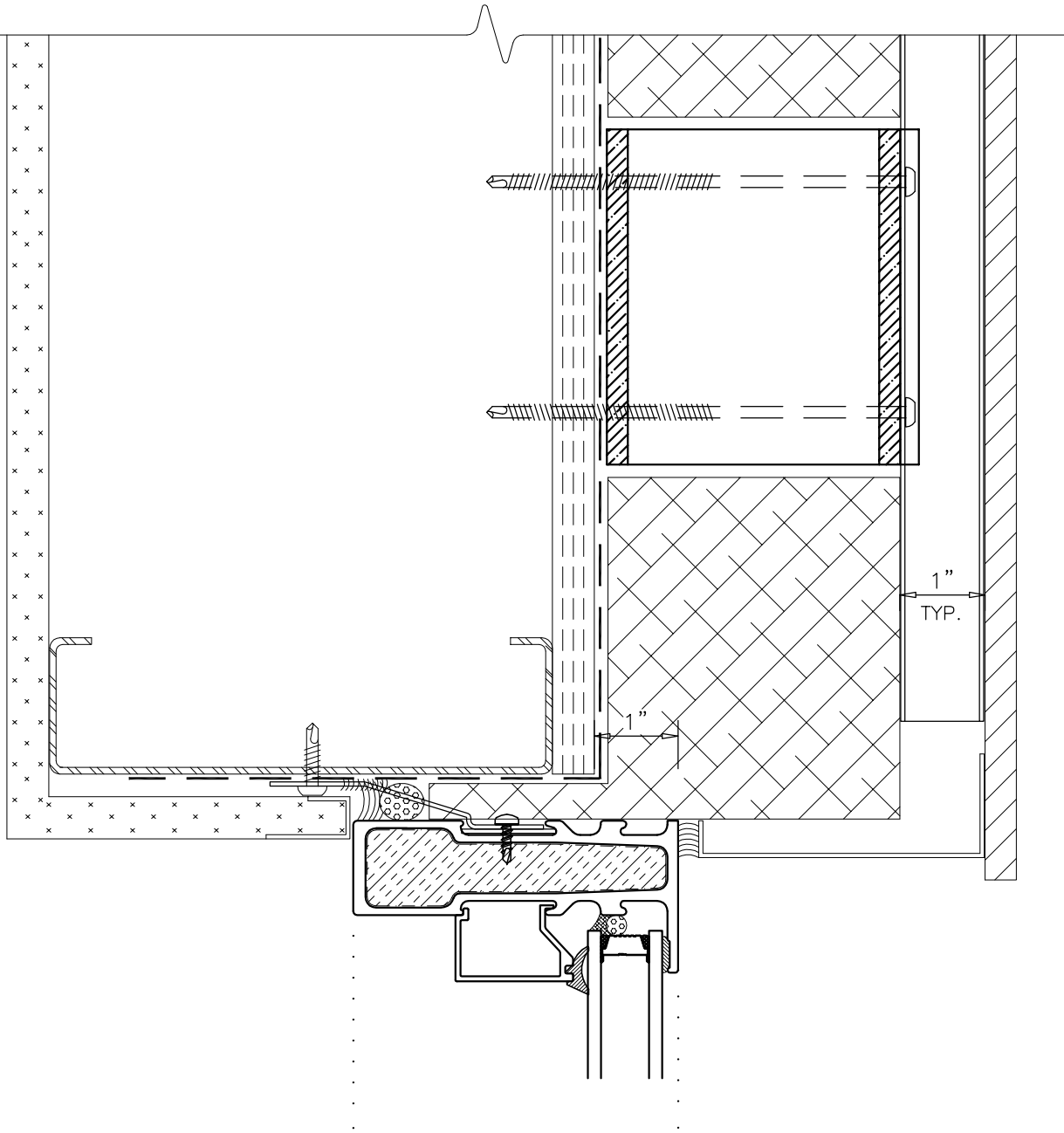
ISSUE	DESCRIPTION	DATE
1	VERSION 1	10 OCT., 2011
2	VERSION 2	09 DEC., 2011
3		

SCALE: 1/2"=1"  
 DATE: 10 OCT., 2011  
 DRAWN BY: RLEE  
 CHECKED BY: -



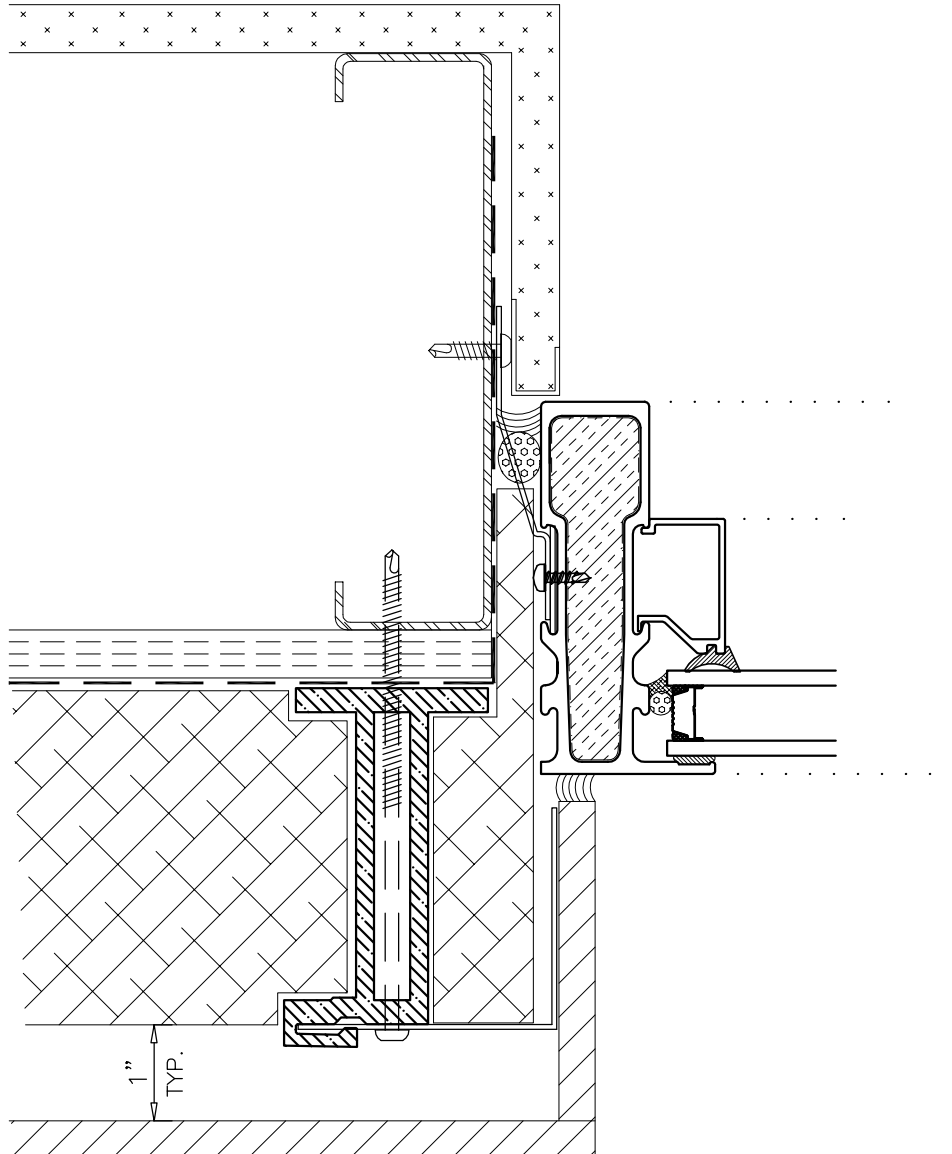
**CASCADIA WINDOWS LTD.**  
 27050 BLUICKSFER WAY  
 LANGLEY, BC CANADA, V4W 3Y5

PROJECT NAME: <b>FIBERGLASS THERMAL SPACER</b>			DRAWING NO.: 1.5
DRAWING TITLE: SECTION AT WINDOW SILL			PROJECT NO.: CFTS
ISSUE	DESCRIPTION	DATE	SCALE: 1/2"=1"
1	VERSION 1	10 OCT., 2011	DATE: 10 OCT., 2011
2	VERSION 2	09 DEC., 2011	DRAWN BY: RLEE
3			CHECKED BY: -



**CASCADIA WINDOWS LTD.**  
 27050 GILCHRISTER WAY  
 LANGLEY, BC CANADA, V4W 3Y5

PROJECT NAME: <b>FIBERGLASS THERMAL SPACER</b>			DRAWING NO.: 1.6
DRAWING TITLE: <b>SECTION AT WINDOW HEAD</b>			PROJECT NO.: <b>CFTS</b>
ISSUE	DESCRIPTION	DATE	SCALE: 1/2"=1"
1	VERSION 1	10 OCT., 2011	DATE: 10 OCT., 2011
2	VERSION 2	09 DEC., 2011	DRAWN BY: RLEE
3			CHECKED BY: -



**CASCADIA WINDOWS LTD.**  
 27050 OLIVER WAY  
 LANGLEY, BC CANADA, V4W 3Y5

PROJECT NAME:  
**FIBERGLASS THERMAL SPACER**

DRAWING NO.:  
 1.7

DRAWING TITLE:  
**SECTION AT WINDOW JAMB**

PROJECT NO.:  
**CFTS**

ISSUE	DESCRIPTION	DATE
1	VERSION 1	10 OCT., 2011
2	VERSION 2	09 DEC., 2011
3		

SCALE: 1/2"=1"  
 DATE: 10 OCT., 2011  
 DRAWN BY: RLEE  
 CHECKED BY: -