

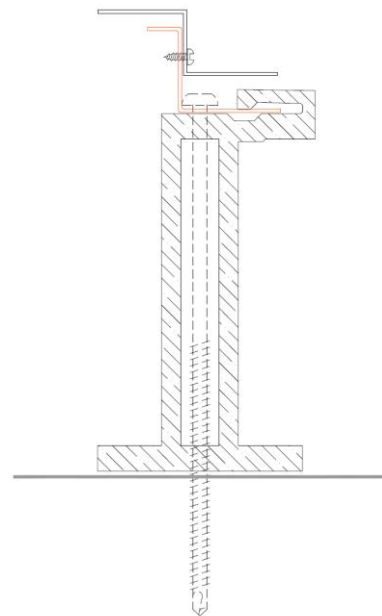
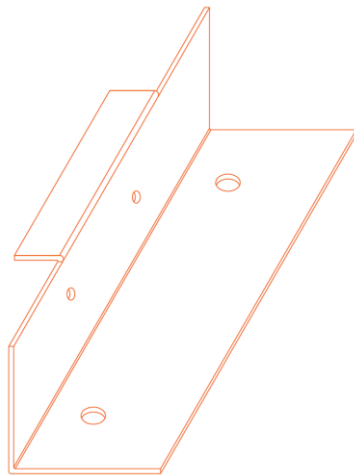


# CASCADIA CLIP<sup>®</sup>

## ADJUSTABLE BRACKET

FOR VERTICAL Z-GIRTS AND OTHER VERTICAL SUPPORT MEMBERS

Cascadia now offers adjustability options for use with vertical Z-girt installation.



### FEATURES

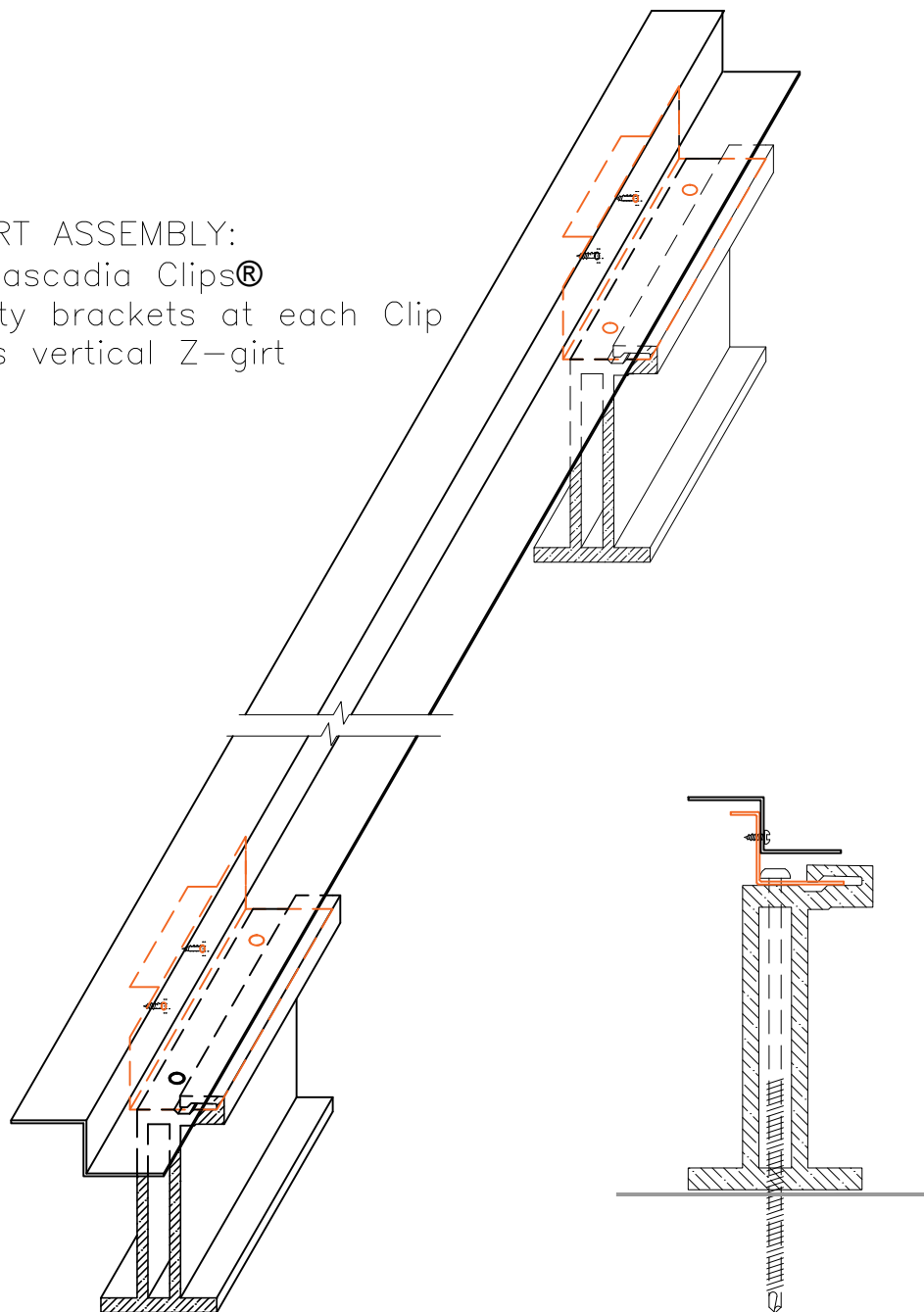
- Adjustability brackets for 3 ranges of adjustments up to 1.5"
- Engineered to work with the Cascadia Clip Calculator – [calculator.cascadiaclip.com](http://calculator.cascadiaclip.com)
- Brackets are 4" long to match the Cascadia Clips so they are easy to handle
- Brackets are pre-punched for both Clips and Z-girts

### BENEFITS

- Existing components remain the same
- Brackets can be used as needed on site, for current or future projects
- Use brackets only where you need them; no requirement to plan quantities in advance

VERTICAL Z-GIRT ASSEMBLY:

- multiple Cascadia Clips®
- adjustability brackets at each Clip
- continuous vertical Z-girt



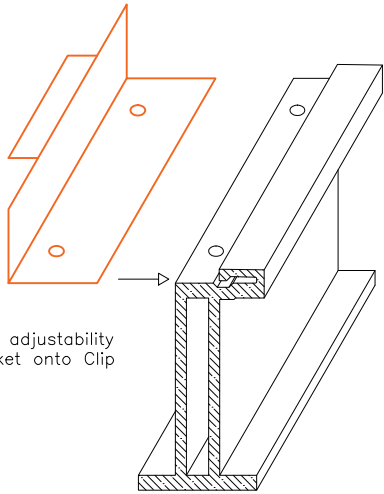
November 28 2017 7:10 AM



CASCADIA WINDOWS LTD.  
 #101 - 5350 275TH STREET  
 LANGLEY, BC CANADA, V4W 0C1

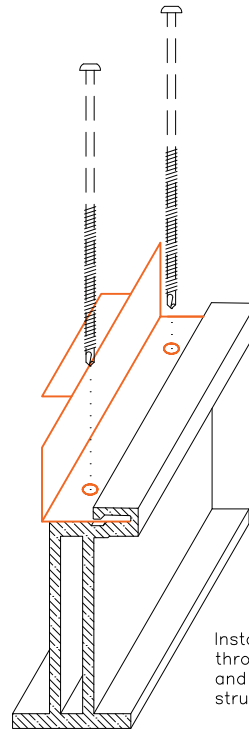
SERIES:		CASCADIA CLIP ADJUSTABILITY BRACKET APPLICATION: VERTICAL Z-GIRTS		DRAWING NO.:	1
DRAWING TITLE:		OVERALL ASSEMBLY ILLUSTRATION		PROJECT NO.:	
ISSUE	DESCRIPTION	DATE	SCALE:	NTS	
1	FINAL - VERSION 1	2017 FEB 14	DATE:	2017 NOV	
2	VERSION 2	2017 OCT 25	DRAWN BY:	CP	
2	VERSION 3	2017 NOV 28	CHECKED BY:	MP	

1



Slide adjustability  
bracket onto Clip

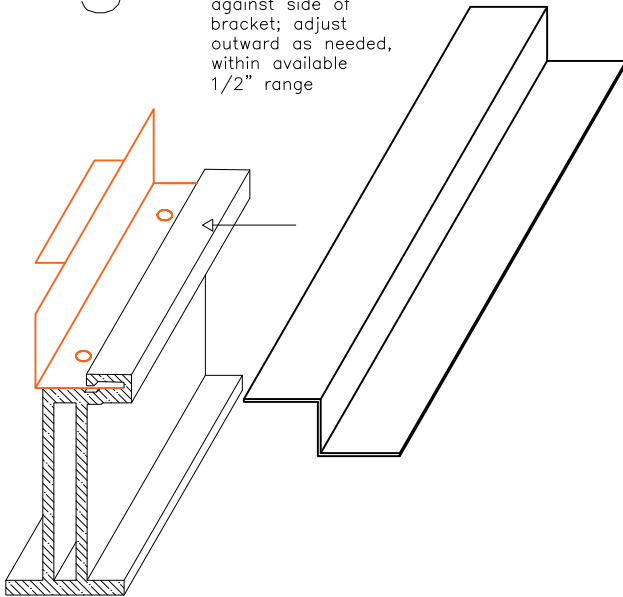
2



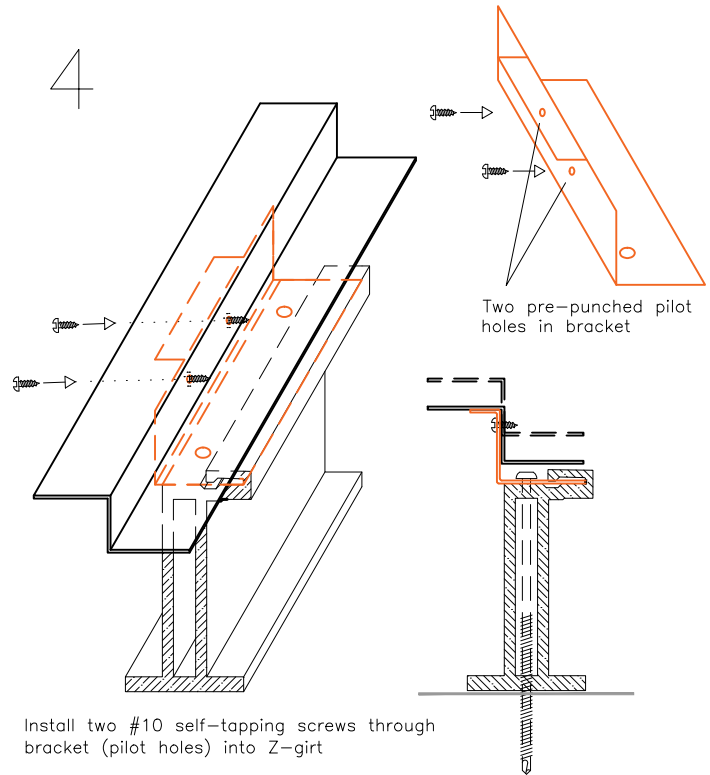
Install screws  
through bracket  
and Clip into  
structure

3

Place Z-girt  
against side of  
bracket; adjust  
outward as needed,  
within available  
1/2" range



4



Two pre-punched pilot  
holes in bracket

Install two #10 self-tapping screws through  
bracket (pilot holes) into Z-girt



CASCADIA WINDOWS LTD.  
#101 - 5350 275TH STREET  
LANGLEY, BC CANADA, V4W 0C1

SERIES: CASCADIA CLIP ADJUSTABILITY BRACKET  
APPLICATION: VERTICAL Z-GIRTS

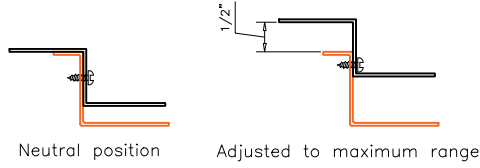
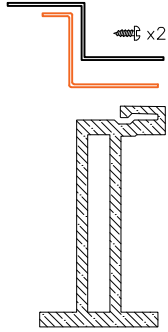
DRAWING NO.:  
2

DRAWING TITLE: INSTALLATION SEQUENCE DRAWINGS

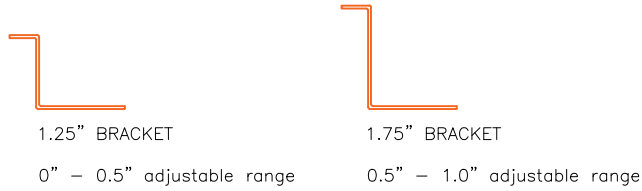
PROJECT NO.:

ISSUE	DESCRIPTION	DATE	SCALE:	NTS
1	FINAL - VERSION 1	2017 FEB 14	DATE:	2017 NOV
2	VERSION 2	2017 OCT 25	DRAWN BY:	CP
3	VERSION 3	2017 NOV 28	CHECKED BY:	MP

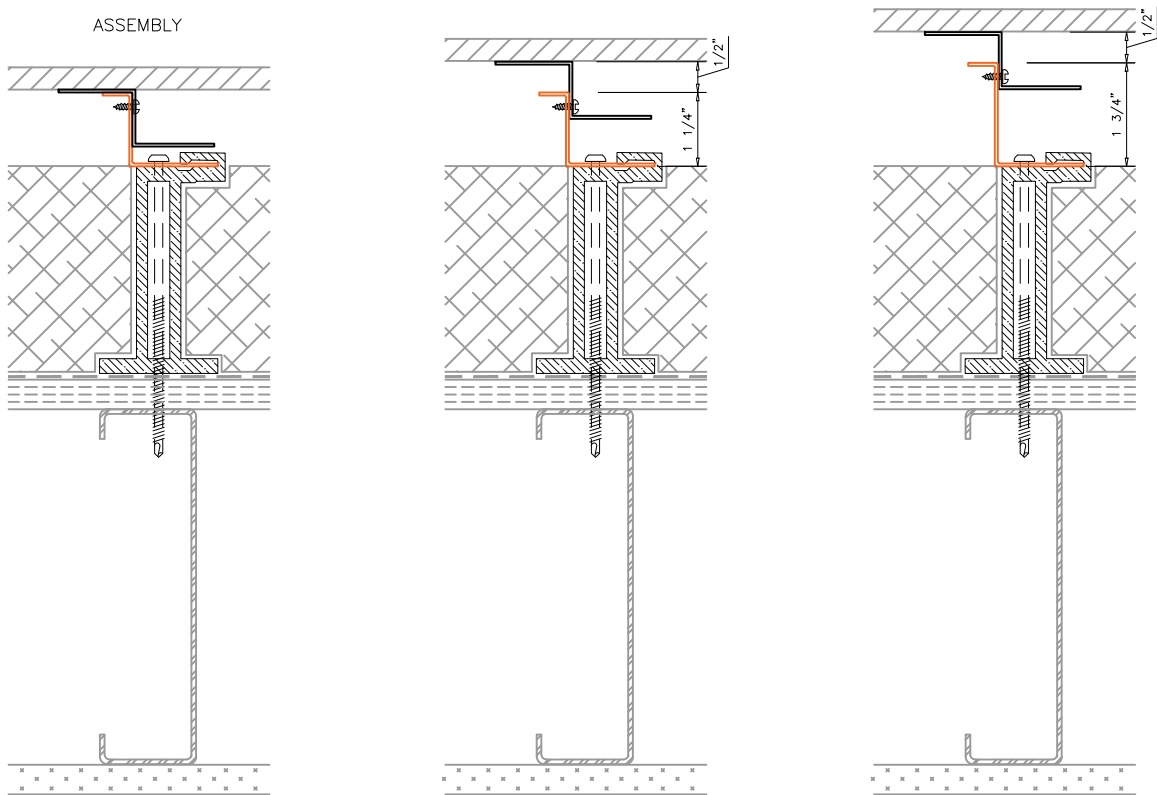
PARTS



- Each bracket size allows 1/2" adjustability for Z-girt outward from neutral position.
- Bracket sizes available in 1/2" increments.
- Total possible adjustable range, using all brackets: 0" - 1"



ASSEMBLY



November 28 2017 7:10 AM



CASCADIA WINDOWS LTD.  
#101 - 5350 275TH STREET  
LANGLEY, BC CANADA, V4W 0C1

SERIES:		CASCADIA CLIP ADJUSTABILITY BRACKET APPLICATION: VERTICAL Z-GIRTS		DRAWING NO.:	3
DRAWING TITLE:		AVAILABLE BRACKET SIZES		PROJECT NO.:	
ISSUE	DESCRIPTION	DATE	SCALE:	NTS	
1	FINAL - VERSION 1	2017 FEB 14	DATE:	2017 NOV	
2	VERSION 2	2017 OCT 25	DRAWN BY:	CP	
3	VERSION 3	2017 NOV 28	CHECKED BY:	MP	