

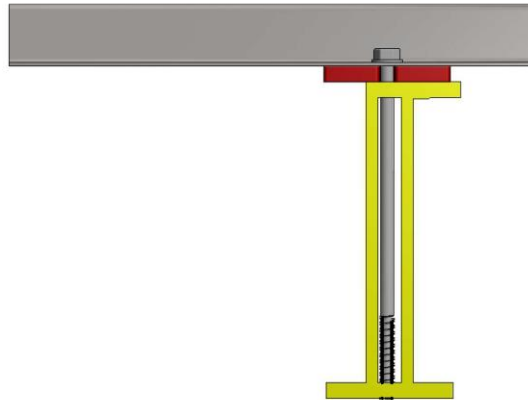
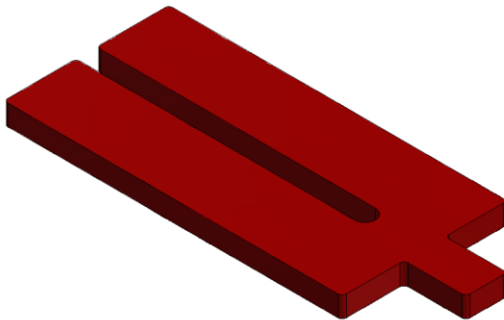


# CASCADIA CLIP®

## ADJUSTABILITY SHIMS

FOR HORIZONTAL HAT TRACKS AND OTHER CASCADIA CLIPS

Cascadia now offers adjustability options for use with horizontal hat track installation.



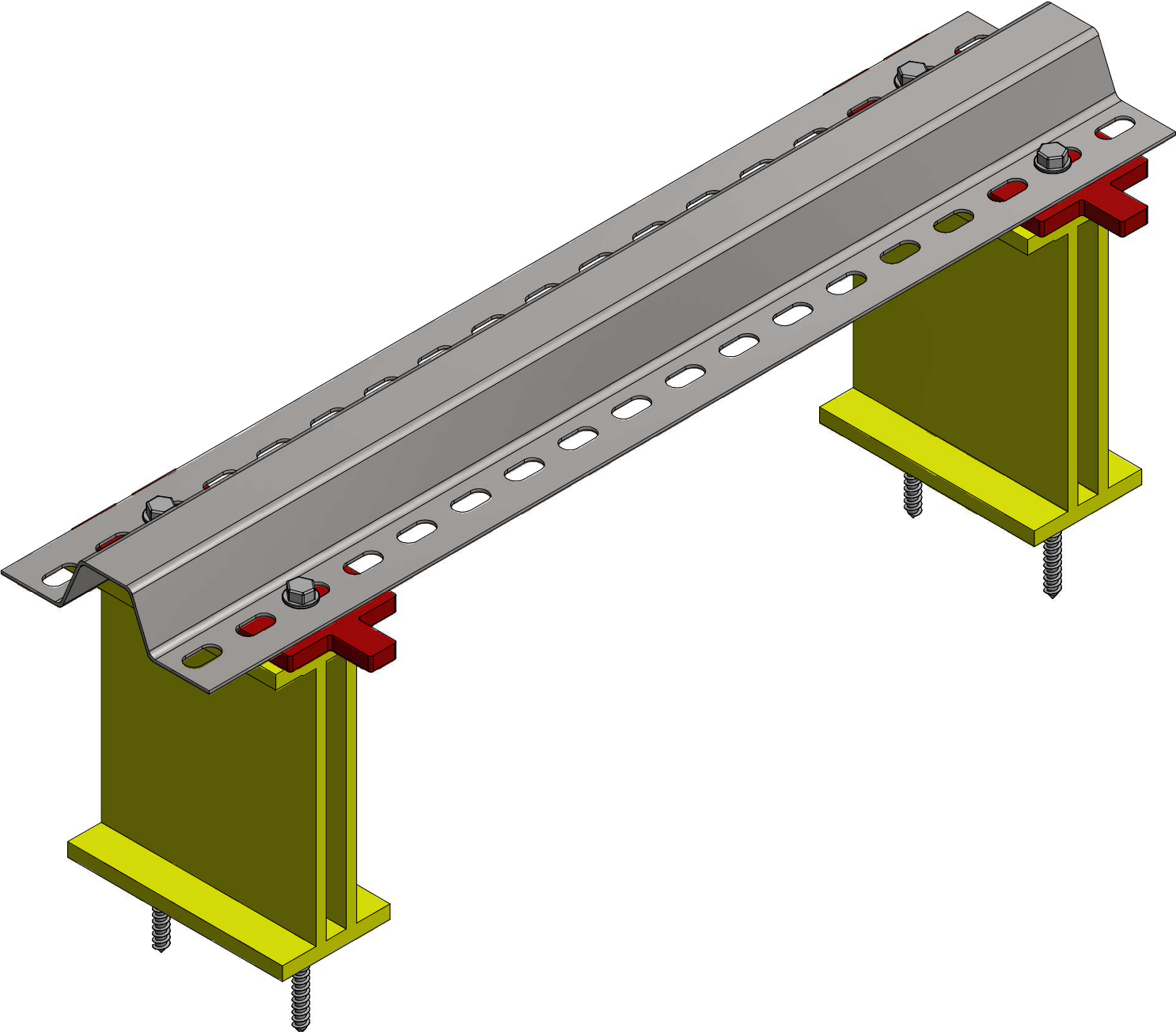
### FEATURES

- Two sizes of adjustability shims – 1/4" and 1/8"
- Multiple can be used to build up adjustability levels depending on substrate
- Shims are used outboard of insulation to maintain continuous thermal barrier
- Shims are shaped to the Cascadia Clip
- Shims have tab to hold onto for easy installation

### BENEFITS

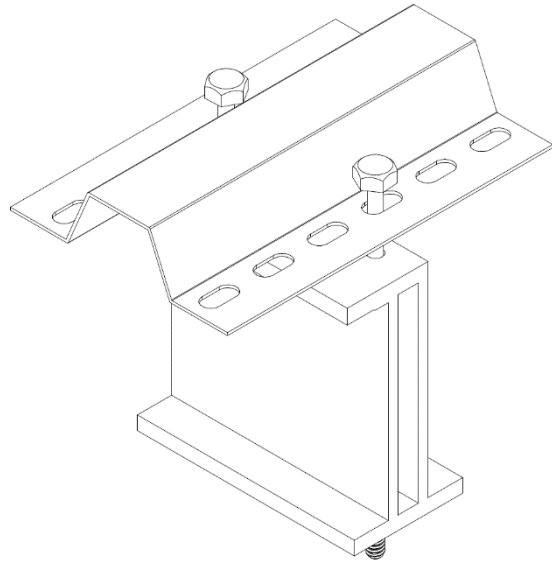
- Existing components remain the same
- Shims can be used as needed on site, for current or future projects
- Use shims only where you need them; no requirement to plan quantities in advance

**NOTE:** When installing clips on concrete, ideal embedment depth for maximum structural capability is 1.5". When shimming more than 1/2" outwards, you may have to use longer screws to ensure proper embedment into concrete.

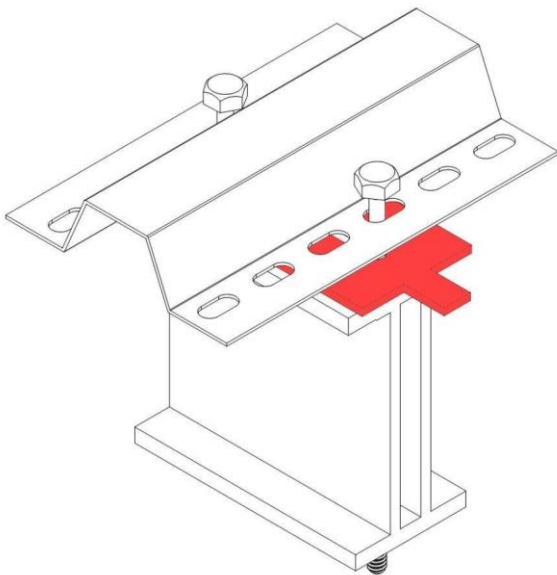


## INSTRUCTIONS:

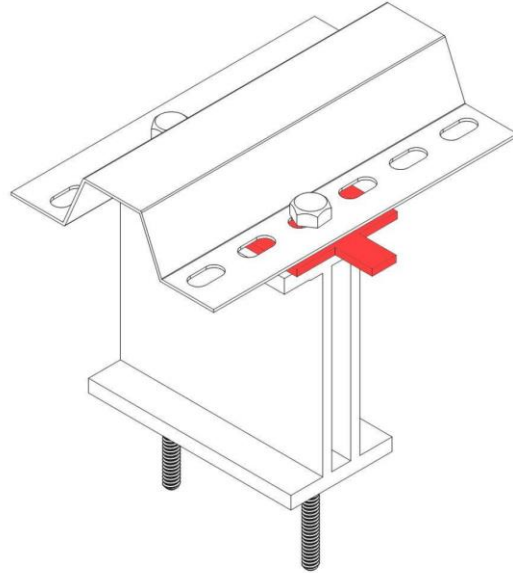
1. Install screws through hat track and clip, screw into backup structure, but **keep screws fairly loose**
2. Add shims where substrate is uneven, until hat track is flush all the way along
3. Tighten screws in all clips.



**STEP ONE**



**STEP TWO**



**STEP THREE**