

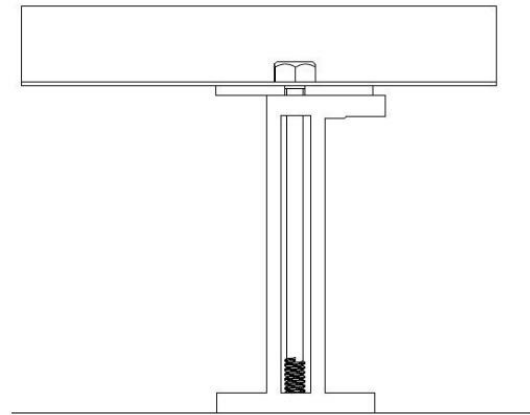
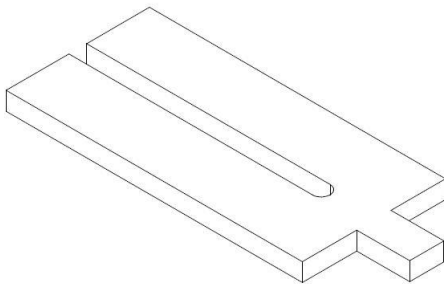


CASCADIA CLIP®

ADJUSTABILITY SHIMS

FOR HORIZONTAL HAT TRACKS AND OTHER CASCADIA CLIPS

Cascadia now offers adjustability options for use with horizontal hat track installation.



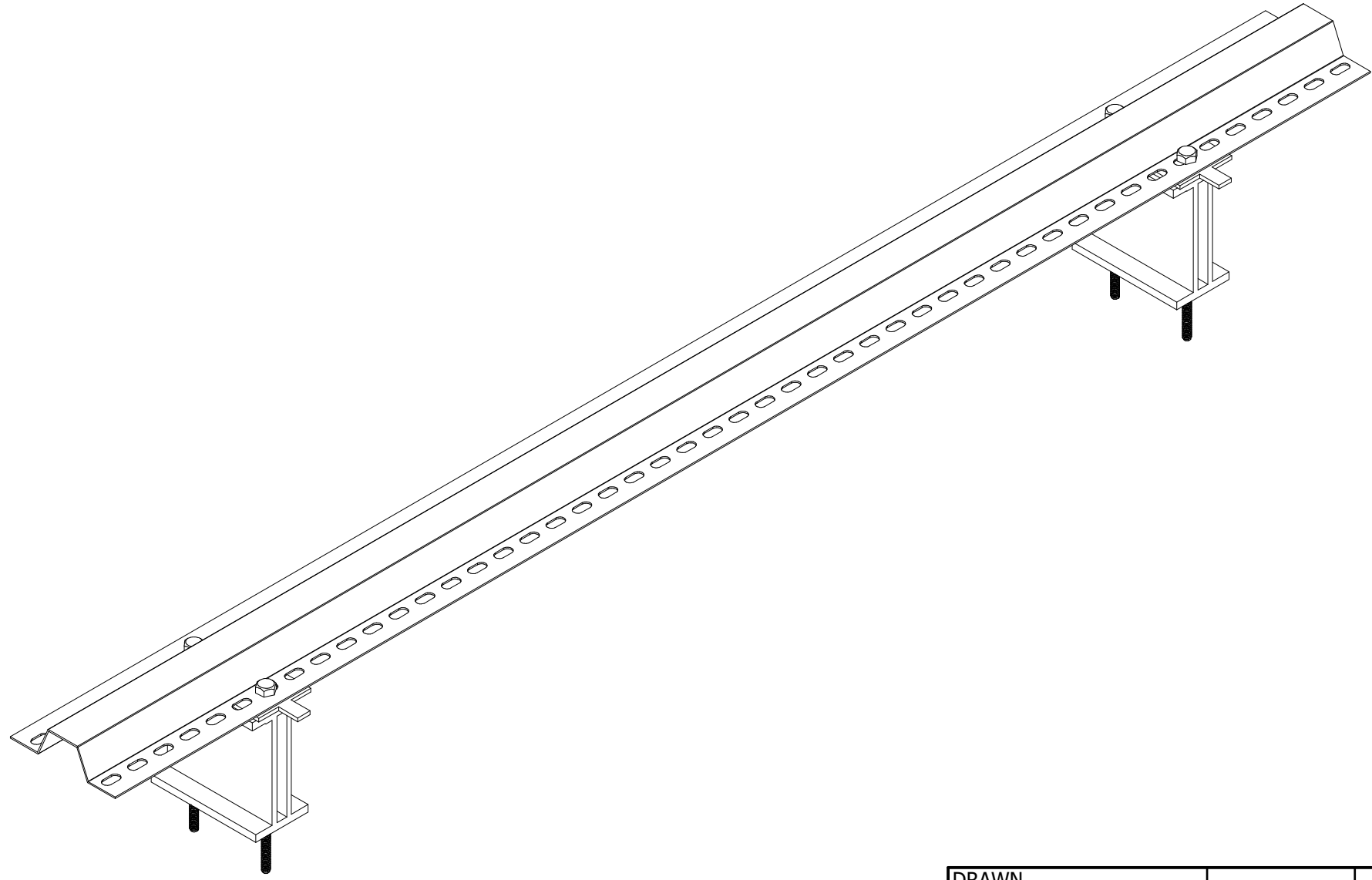
FEATURES

- Two sizes of adjustability shims – 1/4" and 1/8"
- Multiple can be used to build up adjustability levels depending on substrate
- Shims are used outboard of insulation to maintain continuous thermal barrier
- Shims are shaped to the Cascadia Clip
- Shims have tab to hold onto for easy installation

BENEFITS

- Existing components remain the same
- Shims can be used as needed on site, for current or future projects
- Use shims only where you need them; no requirement to plan quantities in advance

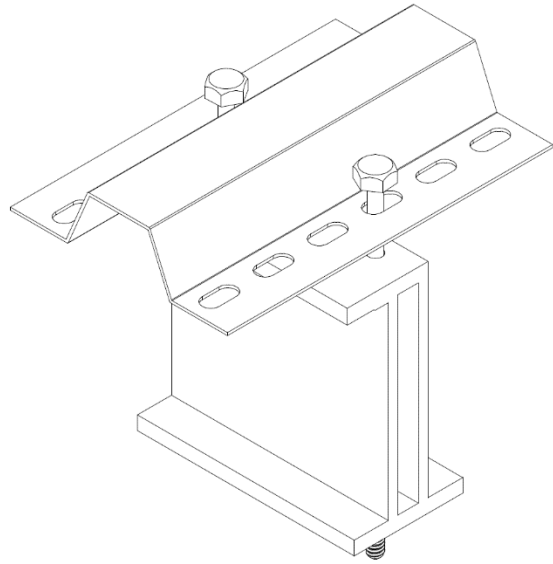
NOTE: When installing clips on concrete, ideal embedment depth for maximum structural capability is 1.5". When shimming more than 1/2" outwards, you may have to use longer screws to ensure proper embedment into concrete.



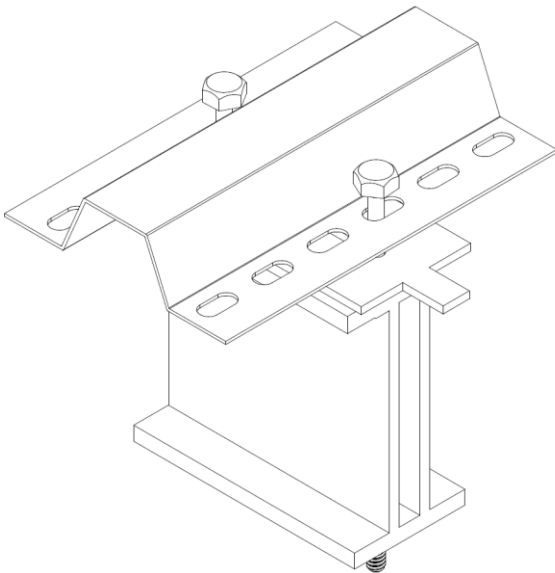
DRAWN COLLEEN PEDERSEN CHECKED QA MFG APPROVED	JULY 20/17	CASCADIA WINDOWS		
		TITLE HORIZONTAL ADJUSTABILITY DETAILS 4" HORIZONTAL CLIPS, 1/8" SHIM, HAT TRACK, SCREWS TIGHT		
		SIZE B	DWG NO 3	REV
		SCALE 1 / 4	SHEET 1 OF 1	

INSTRUCTIONS:

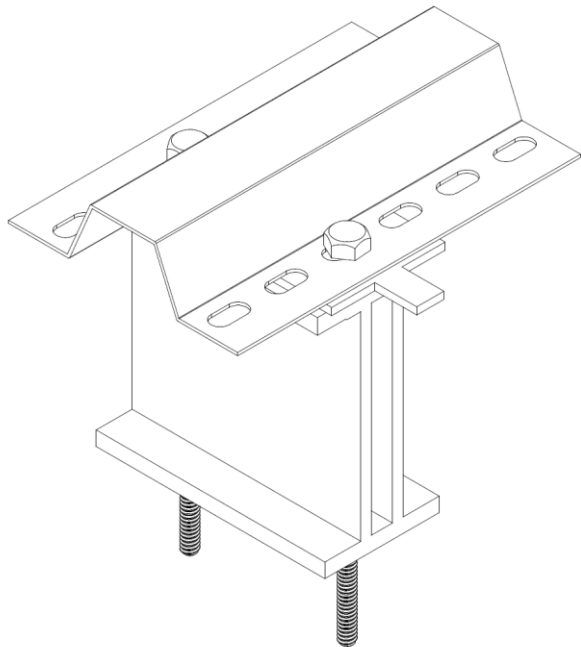
1. Install screws through hat track and clip, screw into backup structure, but **keep screws fairly loose**
2. Add shims where substrate is uneven, until hat track is flush all the way along
3. Tighten screws in all clips.



STEP ONE



STEP TWO



STEP THREE