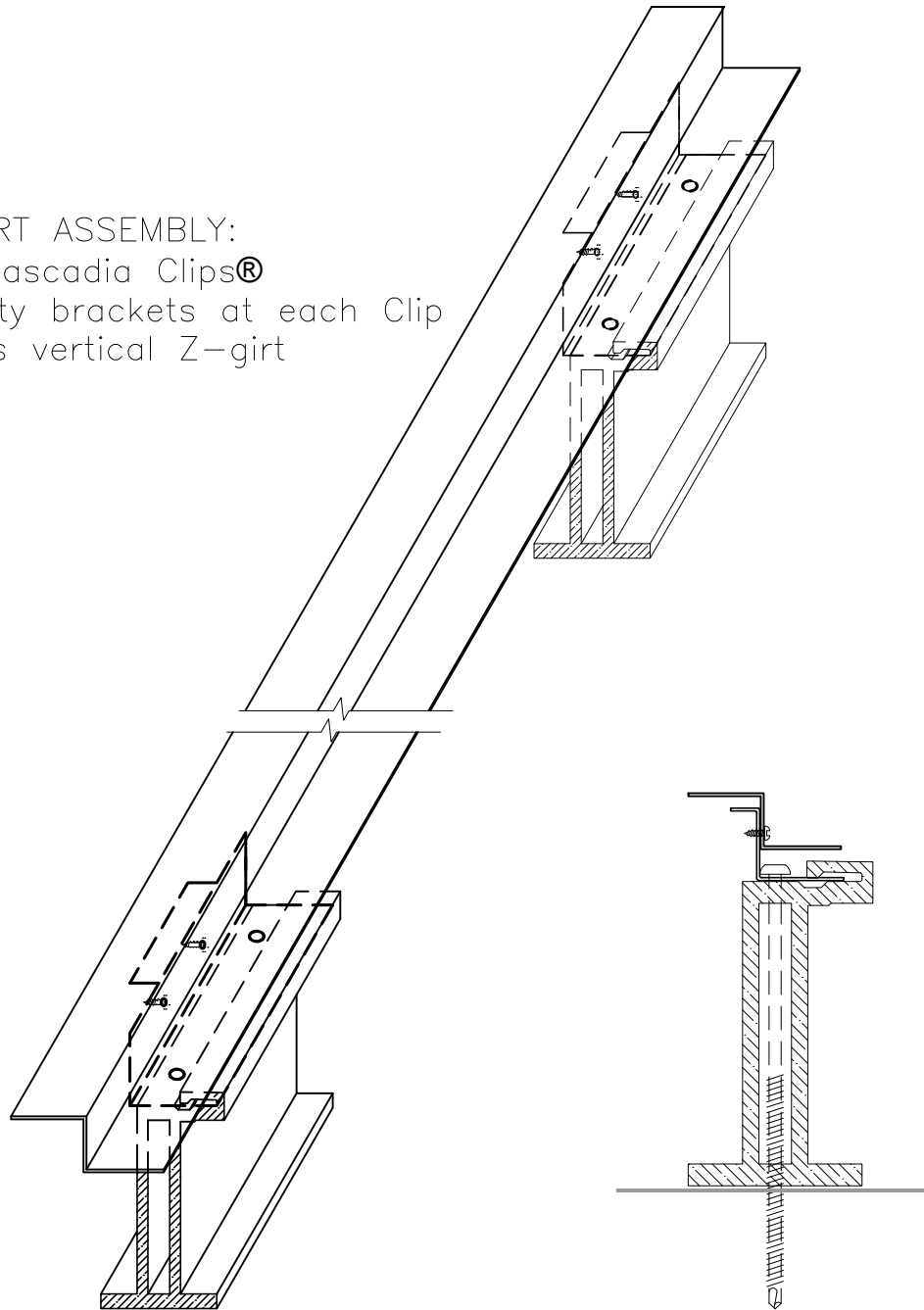


VERTICAL Z-GIRT ASSEMBLY:

- multiple Cascadia Clips®
- adjustability brackets at each Clip
- continuous vertical Z-girt



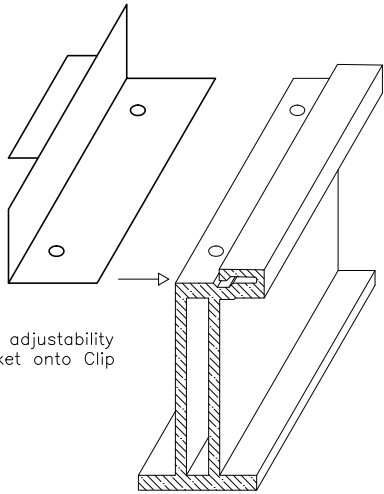
October 25 2017 3:03 PM



CASCADIA WINDOWS LTD.  
 #101 - 5350 275TH STREET  
 LANGLEY, BC CANADA, V4W 0C1

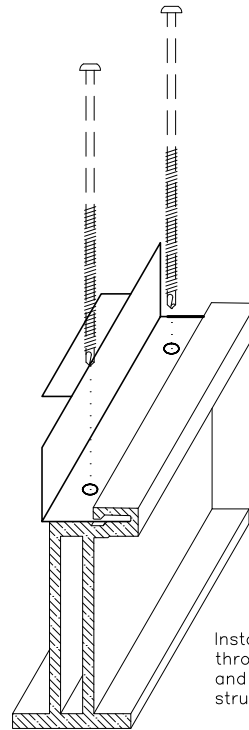
SERIES:		CASCADIA CLIP ADJUSTABILITY BRACKET APPLICATION: VERTICAL Z-GIRTS		DRAWING NO.:	1
DRAWING TITLE:		OVERALL ASSEMBLY ILLUSTRATION		PROJECT NO.:	
ISSUE	DESCRIPTION	DATE	SCALE:	NTS	
1	FINAL - VERSION 1	2017 FEB 14	DATE:	2017 OCT	
2	VERSION 2	2017 OCT 25	DRAWN BY:	CP	
			CHECKED BY:		

1



Slide adjustability bracket onto Clip

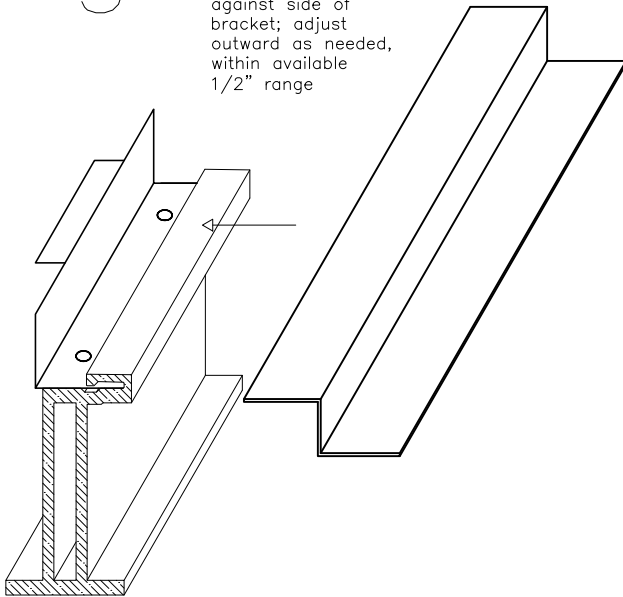
2



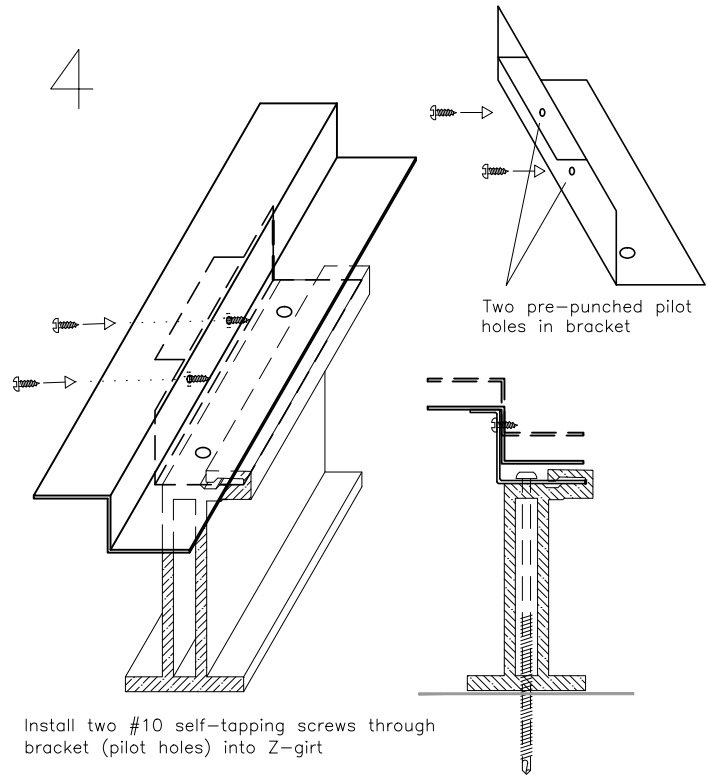
Install screws through bracket and Clip into structure

3

Place Z-girt against side of bracket; adjust outward as needed, within available 1/2" range



4



Install two #10 self-tapping screws through bracket (pilot holes) into Z-girt

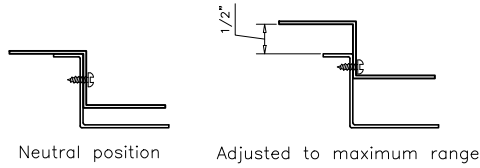
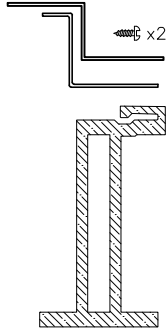
October 25 2017 3:03 PM



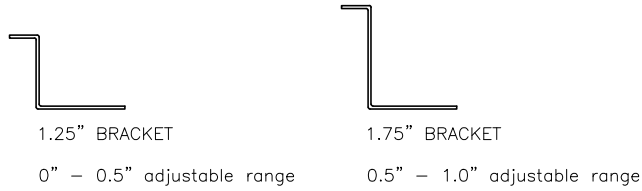
CASCADIA WINDOWS LTD.  
#101 - 5350 275TH STREET  
LANGLEY, BC CANADA, V4W 0C1

SERIES:		CASCADIA CLIP ADJUSTABILITY BRACKET APPLICATION: VERTICAL Z-GIRTS		DRAWING NO.:	2
DRAWING TITLE:		INSTALLATION SEQUENCE DRAWINGS		PROJECT NO.:	
ISSUE	DESCRIPTION	DATE	SCALE:	NTS	
1	FINAL - VERSION 1	2017 FEB 14	DATE:	2017 OCT	
2	VERSION 2	2017 OCT 25	DRAWN BY:	CP	
			CHECKED BY:		

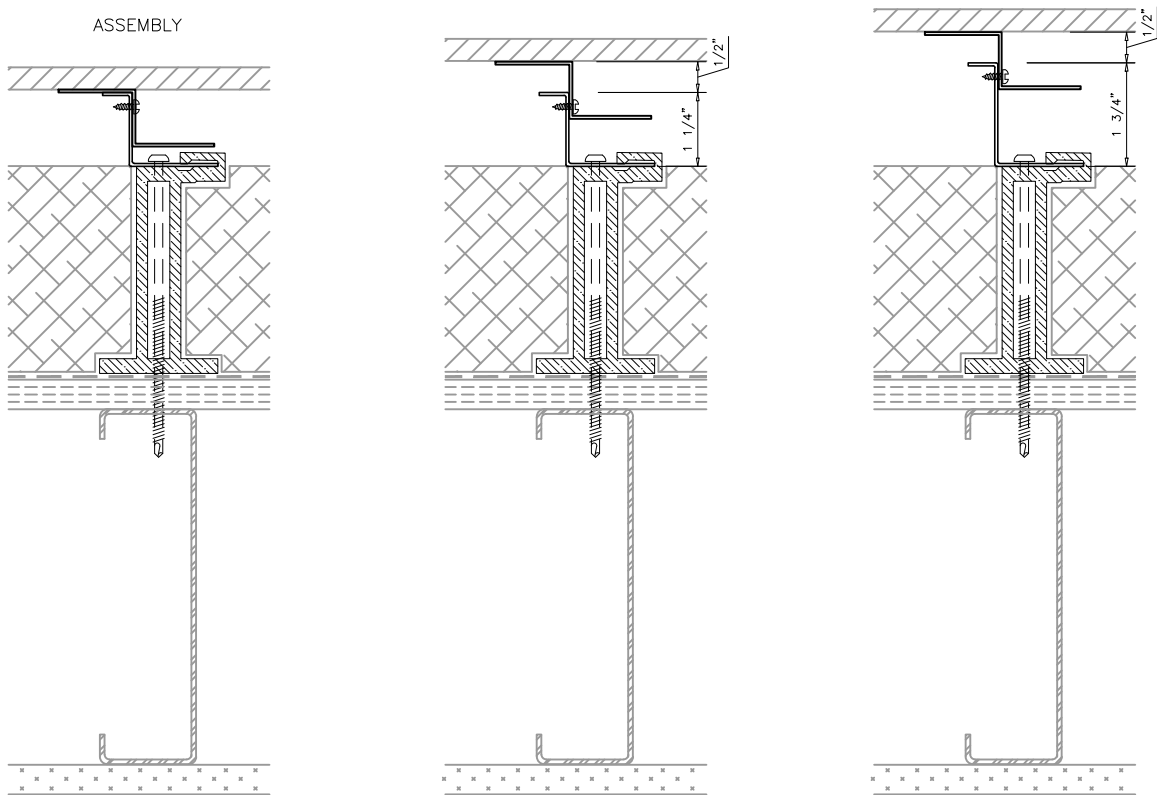
PARTS



- Each bracket size allows 1/2" adjustability for Z-girt outward from neutral position.
- Bracket sizes available in 1/2" increments.
- Total possible adjustable range, using all brackets: 0" - 1"



ASSEMBLY



October 25 2017 3:03 PM



CASCADIA WINDOWS LTD.  
 #101 - 5350 275TH STREET  
 LANGLEY, BC CANADA, V4V 0C1

SERIES:		CASCADIA CLIP ADJUSTABILITY BRACKET APPLICATION: VERTICAL Z-GIRTS		DRAWING NO.:	3
DRAWING TITLE:		AVAILABLE BRACKET SIZES		PROJECT NO.:	
ISSUE	DESCRIPTION	DATE	SCALE:	NTS	
1	FINAL - VERSION 1	2017 FEB 14	DATE:	2017 OCT	
2	VERSION 2	2017 OCT 25	DRAWN BY:	CP	
			CHECKED BY:		