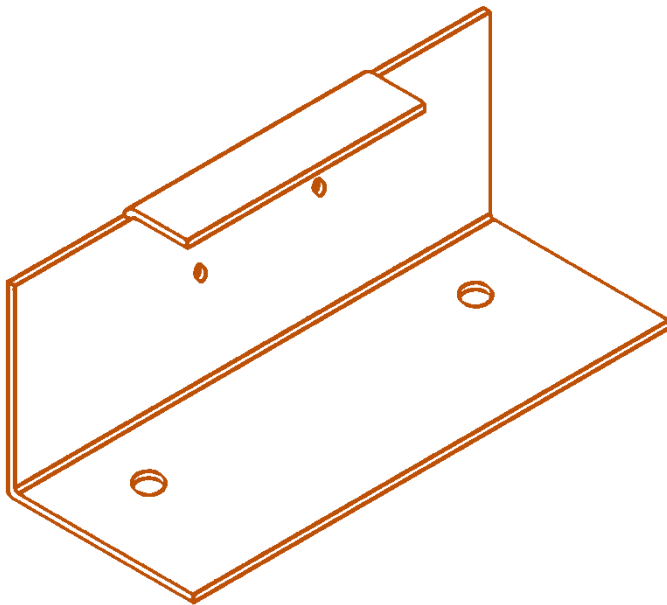




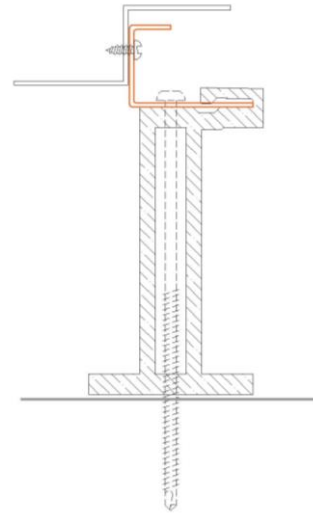
CASCADIA CLIP®

ADJUSTABLE BRACKET

FOR VERTICAL Z-GIRTS AND OTHER VERTICAL SUPPORT MEMBERS



Cascadia now offers adjustability options for use with vertical Z-girt installation.



FEATURES

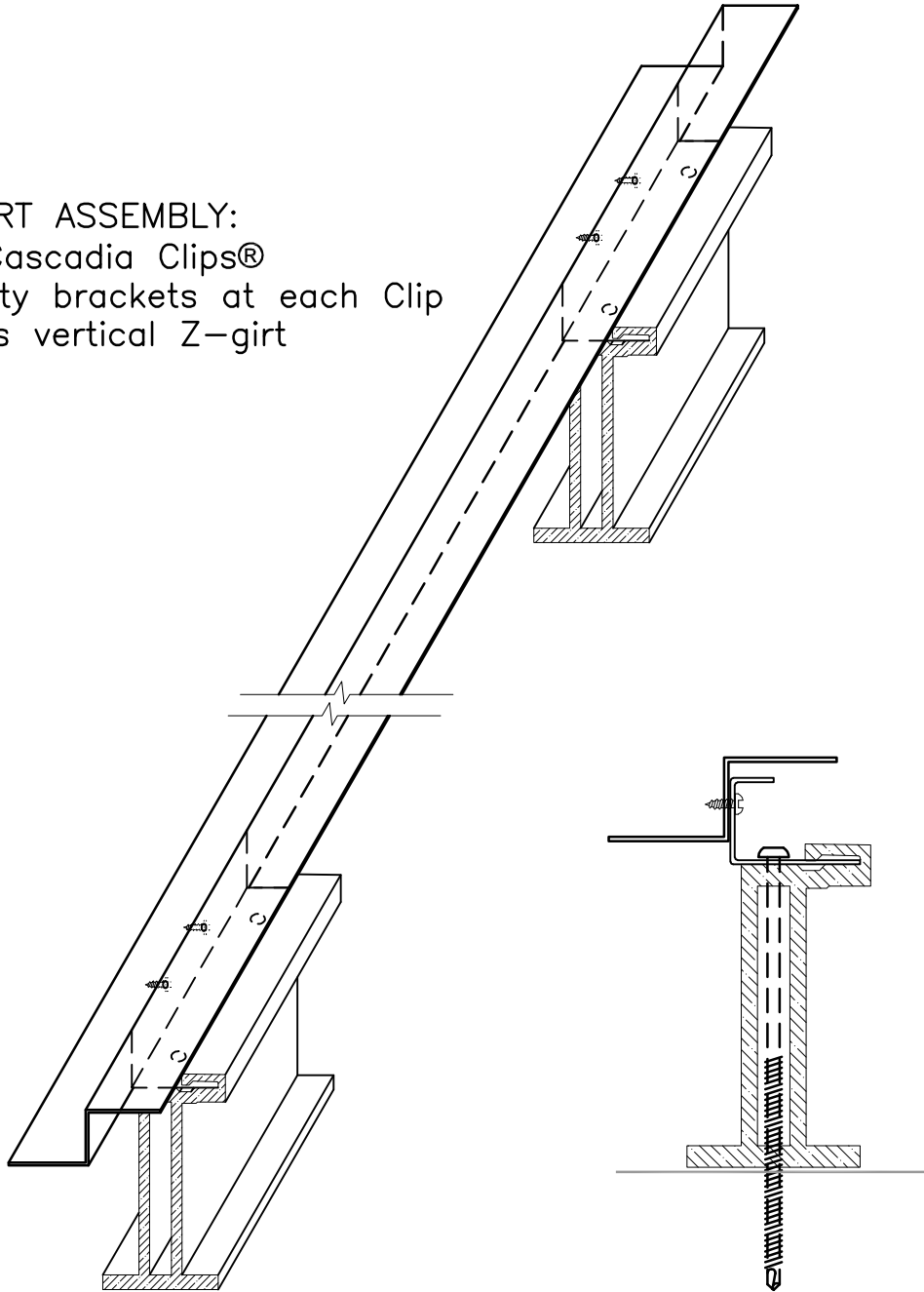
- Adjustability brackets for 3 ranges of adjustments up to 1.5"
- Engineered to work with the Cascadia Clip Calculator – calculator.cascadiaclip.com
- Brackets are 4" long to match the Cascadia Clips so they are easy to handle
- Brackets are pre-punched for both Clips and Z-girts

BENEFITS

- Existing components remain the same
- Brackets can be used as needed on site, for current or future projects
- Use brackets only where you need them; no requirement to plan quantities in advance

VERTICAL Z-GIRT ASSEMBLY:

- multiple Cascadia Clips®
- adjustability brackets at each Clip
- continuous vertical Z-girt



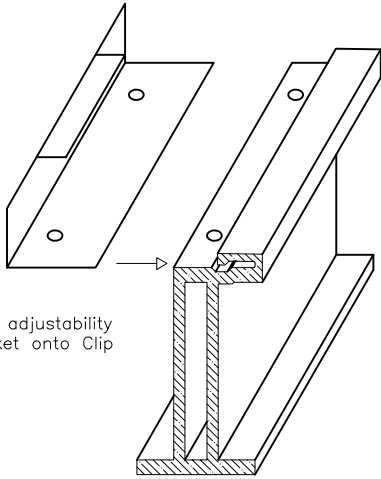
February 14, 2017 4:52 PM



CASCADIA WINDOWS LTD.
 27090 GLOUCESTER WAY
 LANGLEY, BC CANADA, V4W 3Y5

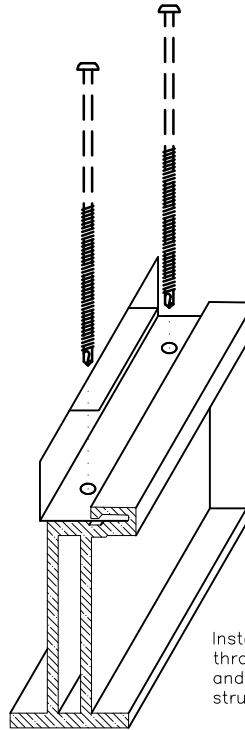
SERIES:		CASCADIA CLIP ADJUSTABILITY BRACKET APPLICATION: VERTICAL Z-GIRTS		DRAWING NO.:	1
DRAWING TITLE:		OVERALL ASSEMBLY ILLUSTRATION		PROJECT NO.:	
ISSUE	DESCRIPTION	DATE	SCALE:	NTS	
1	FINAL - VERSION 1	2017 FEB 14	DATE:	2017 FEB	
			DRAWN BY:	MJB	
			CHECKED BY:		

1



Slide adjustability bracket onto Clip

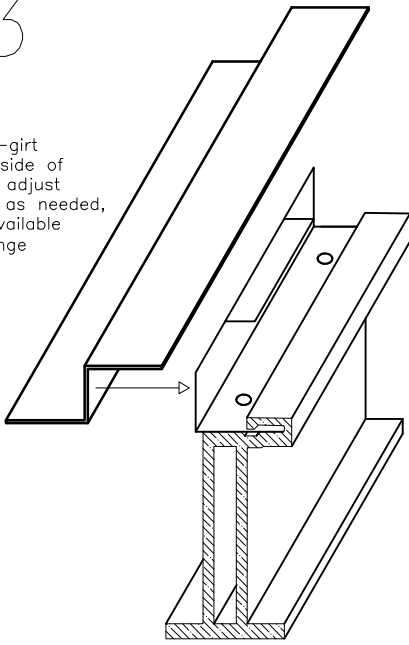
2



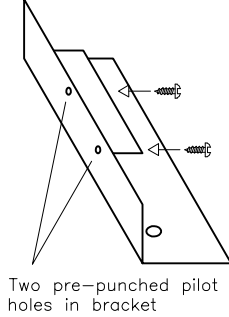
Install screws through bracket and Clip into structure

3

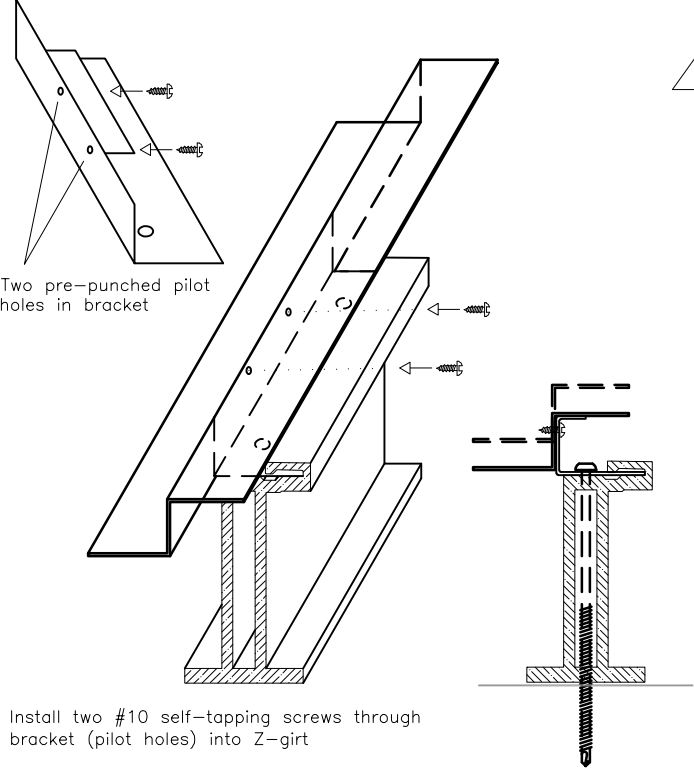
Place Z-girt against side of bracket; adjust outward as needed, within available 1/2" range



4



Two pre-punched pilot holes in bracket



Install two #10 self-tapping screws through bracket (pilot holes) into Z-girt

February 14, 2017 4:52 PM



CASCADIA WINDOWS LTD.
27050 GLOUCESTER WAY
LANGLEY, BC CANADA, V4W 3Y5

SERIES: CASCADIA CLIP ADJUSTABILITY BRACKET
APPLICATION: VERTICAL Z-GIRTS

DRAWING NO.: 2

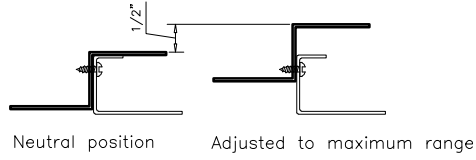
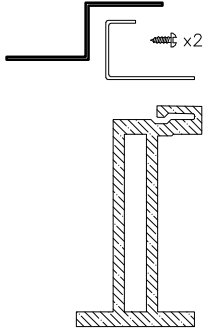
DRAWING TITLE: INSTALLATION SEQUENCE DRAWINGS

PROJECT NO.:

ISSUE	DESCRIPTION	DATE
1	FINAL - VERSION 1	2017 FEB 14

SCALE: NTS
DATE: 2017 FEB
DRAWN BY: MJB
CHECKED BY:

PARTS



- Each bracket size allows 1/2" adjustability for Z-girt outward from neutral position.
- Bracket sizes available in 1/2" increments.
- Total possible adjustable range, using all brackets: 0" - 1.5"



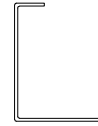
1" BRACKET

0" - 0.5" adjustable range



1.5" BRACKET

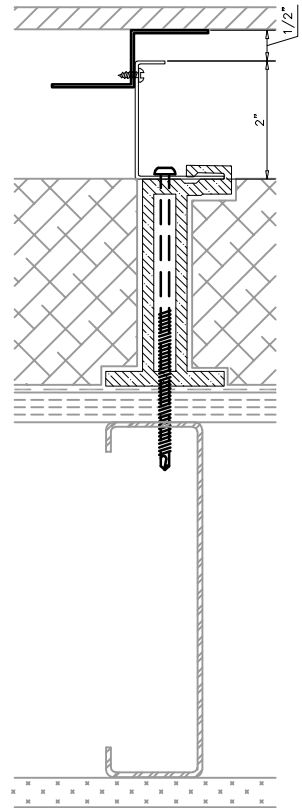
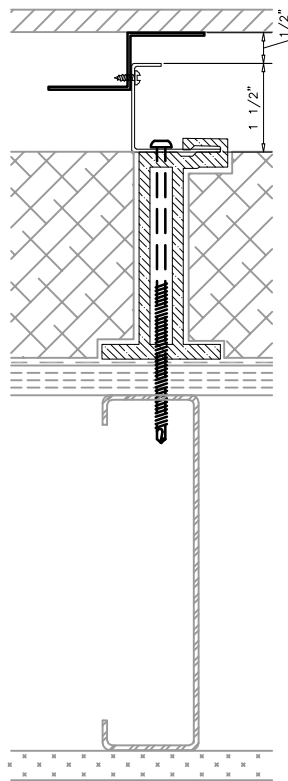
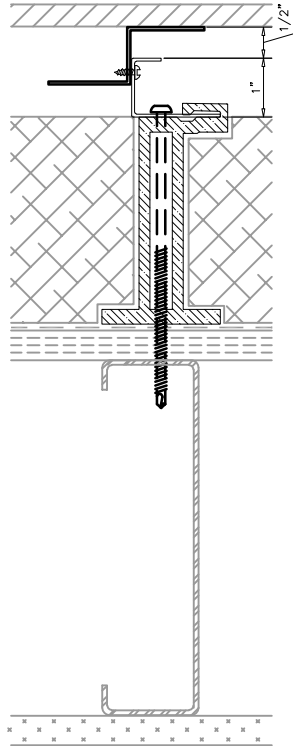
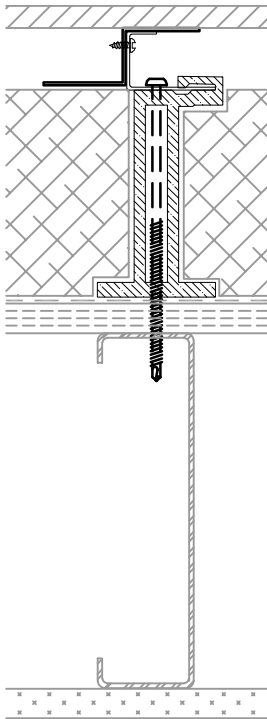
0.5" - 1.0" adjustable range



2" BRACKET

1.0" - 1.5" adjustable range

ASSEMBLY



February 14, 2017 4:52 PM



CASCADIA WINDOWS LTD.
27050 GLOUCESTER WAY
LANGLEY, BC CANADA, V4W 3Y5

SERIES:		CASCADIA CLIP ADJUSTABILITY BRACKET		DRAWING NO.:	
		APPLICATION: VERTICAL Z-GIRTS		3	
DRAWING TITLE:		AVAILABLE BRACKET SIZES		PROJECT NO.:	
ISSUE	DESCRIPTION	DATE	SCALE:	NTS	
1	FINAL - VERSION 1	2017 FEB 14	DATE:	2017 FEB	
			DRAWN BY:	MJB	
			CHECKED BY:		